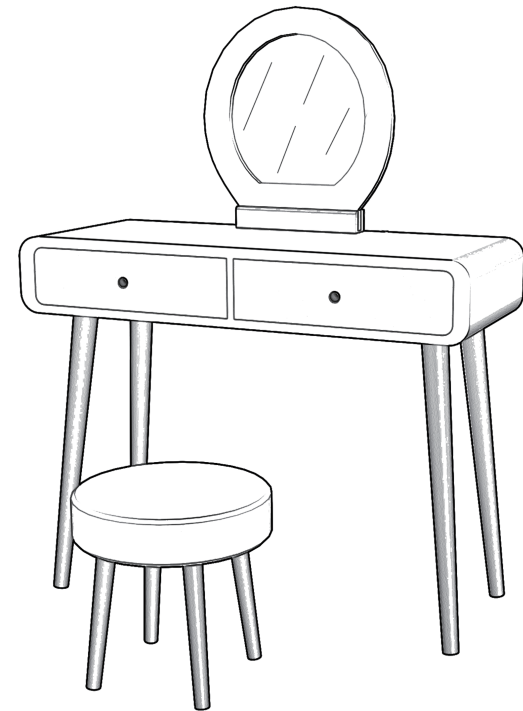


User Manual

JAXPETY



Model Number: HG61A0869

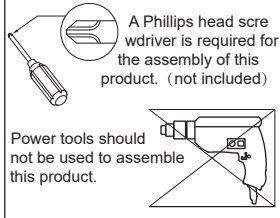
JAXPETY

You need

① 1 person is needed

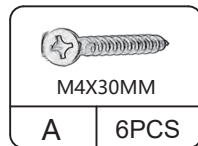
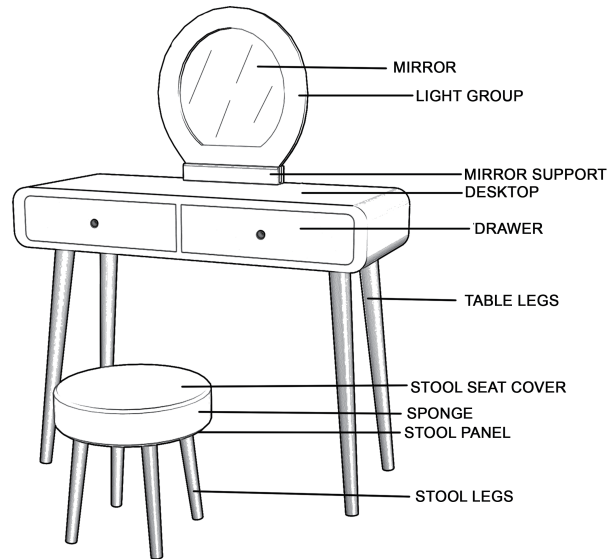


② Tools required



| Technical Specifications | |
|--------------------------|-----------------------|
| Brand | JAXPETY |
| Style | for furniture |
| Max weight capacity | desk180kg, stool150kg |

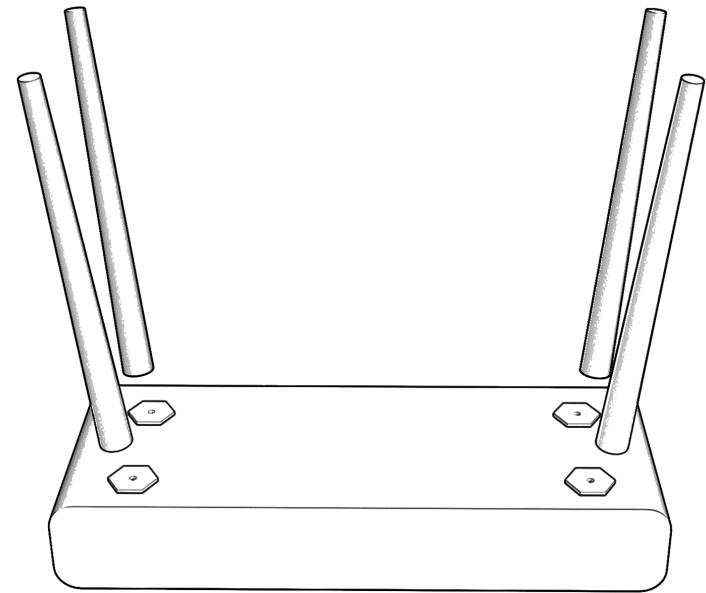
PART LIST



PRODUCT ASSEMBLY

! Check the package contents before getting started !

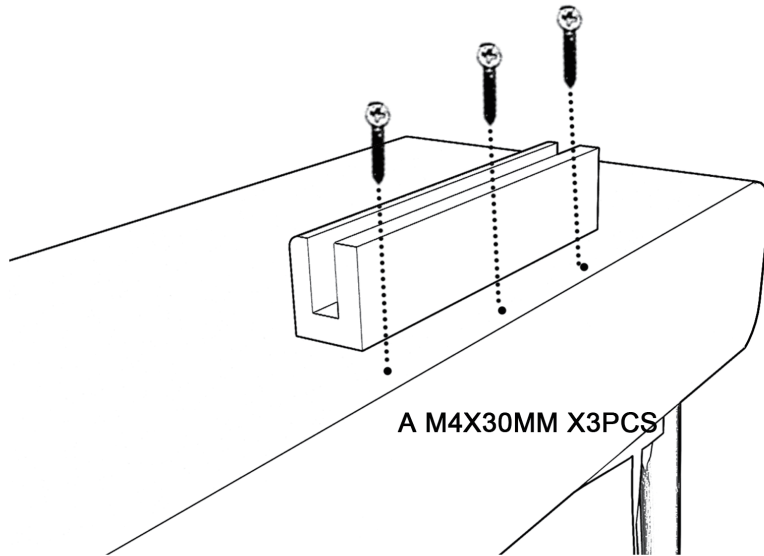
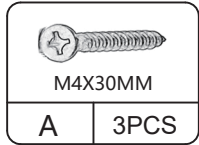
STEP 1



USE THE ROTATION METHOD TO INSTALL THE LEGS ON THE TABLE.

PRODUCT ASSEMBLY

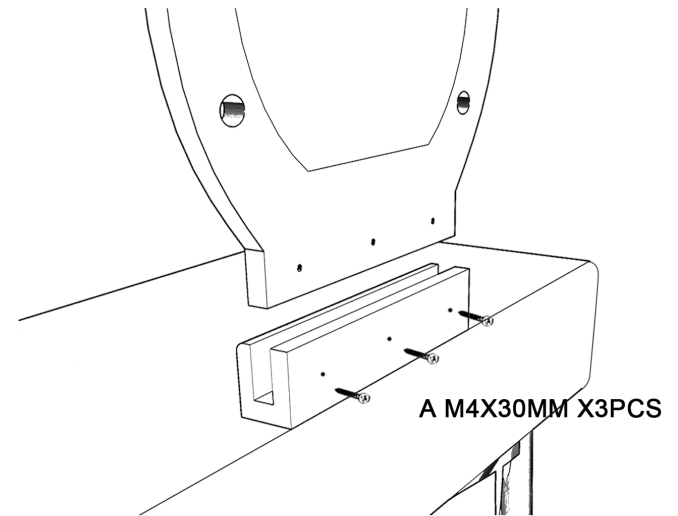
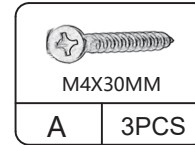
STEP 2



MOUNT THE MIRROR SUPPORT TO THE TABLE AS SHOWN, USING SCREWS A(X3PCS).

PRODUCT ASSEMBLY

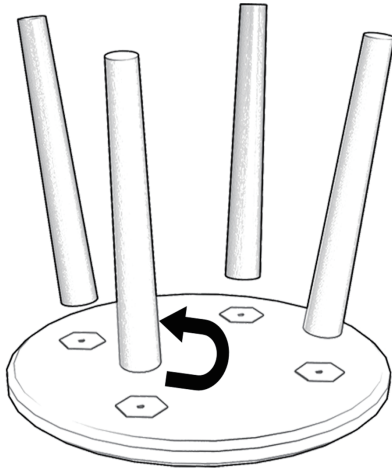
STEP 3



INSERT THE MIRROR INTO THE MIRROR SUPPORT AND FIX IT WITH SCREW B(X3 PCS)

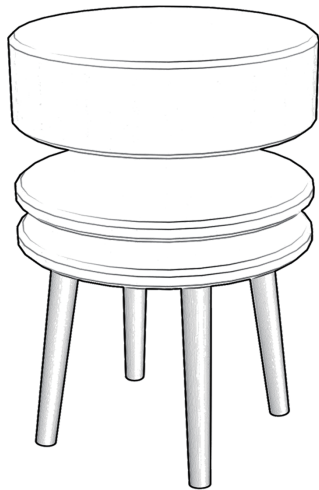
PRODUCT ASSEMBLY

STEP 4



ROTATE THE STOOL LEGS TO THE STOOL PANEL

STEP 5



PUT A SPONGE ON THE STOOL AND THEN USE THE STOOLSEAT COVER TO COVER THE .STOOL

PRODUCT ASSEMBLY

STEP 6

