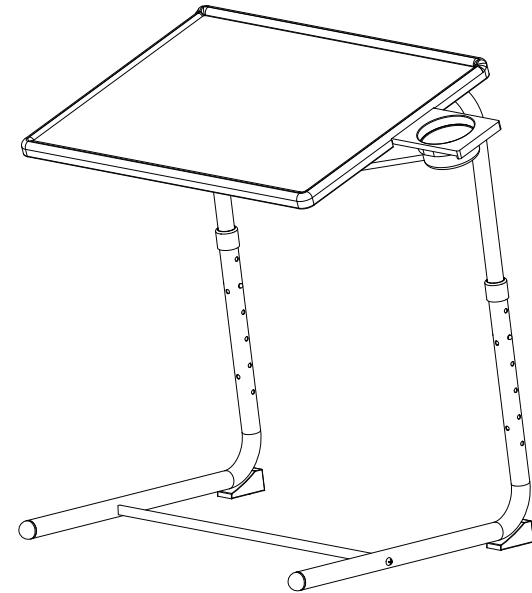


User Manual

JAXSUNNY



JAXSUNNY

Dear Customer,

Thank you for your purchase.

JAXSUNNY is committed to providing affordable high-quality furniture worldwide.

Each piece is made with the respect for human and the environment.

Thousands of families use JAXSUNNY products as a home fashion.

When you receive the product, please make sure that all the parts are intact.

Then please browse the entire installation manual before assembly.

If problems occur unsatisfactorily as follows:

a. The outer box is damaged.

b. The product is damaged / bent / cracked while you open the box.

c. The parts / accessories / assembly tools are missing.

d. The product is hard to assemble.

e. The instructions are not clear and can not be referred to.

f. The product has functional problems.

g. Other aspects that you are not satisfied with.

Please do not hesitate to contact us for help (Be sure to mark the **SKU NUMBER**, e.g., HG91S0320, and the **TRACKING NUMBER**).

Our JAXSUNNY team with factory direct after-sales service will reply within 24 hours and will do our best to resolve the problem for you. Our services are available at any time.

Sincerely,
JAXSUNNY Team

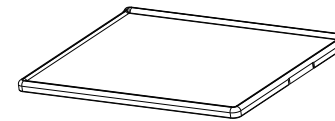
**JAXSUNNY,
for Home and Fashion!**

You need

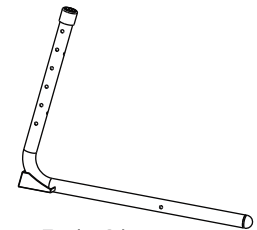
① 1 person is needed



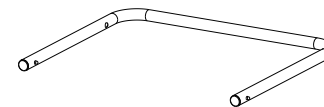
Hardware List



A (x1)



B (x2)



C (x1)



D (x1)



E (x1)
(optional)

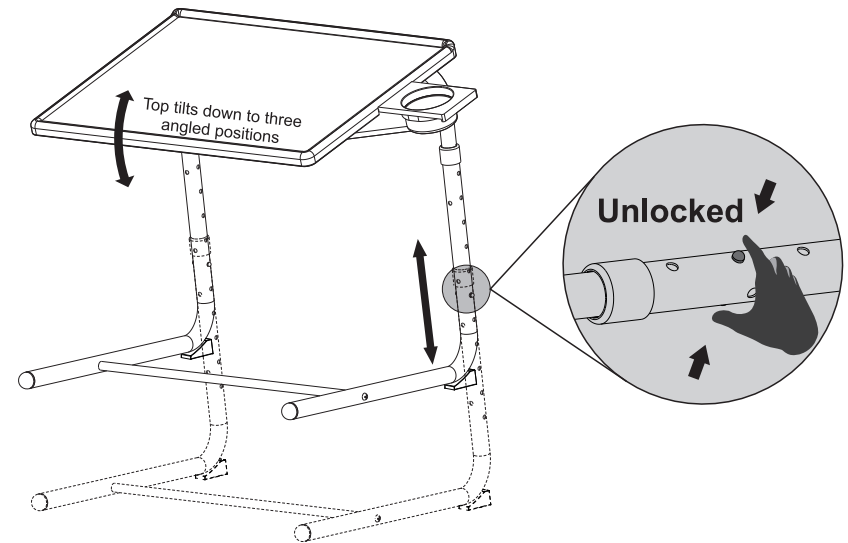
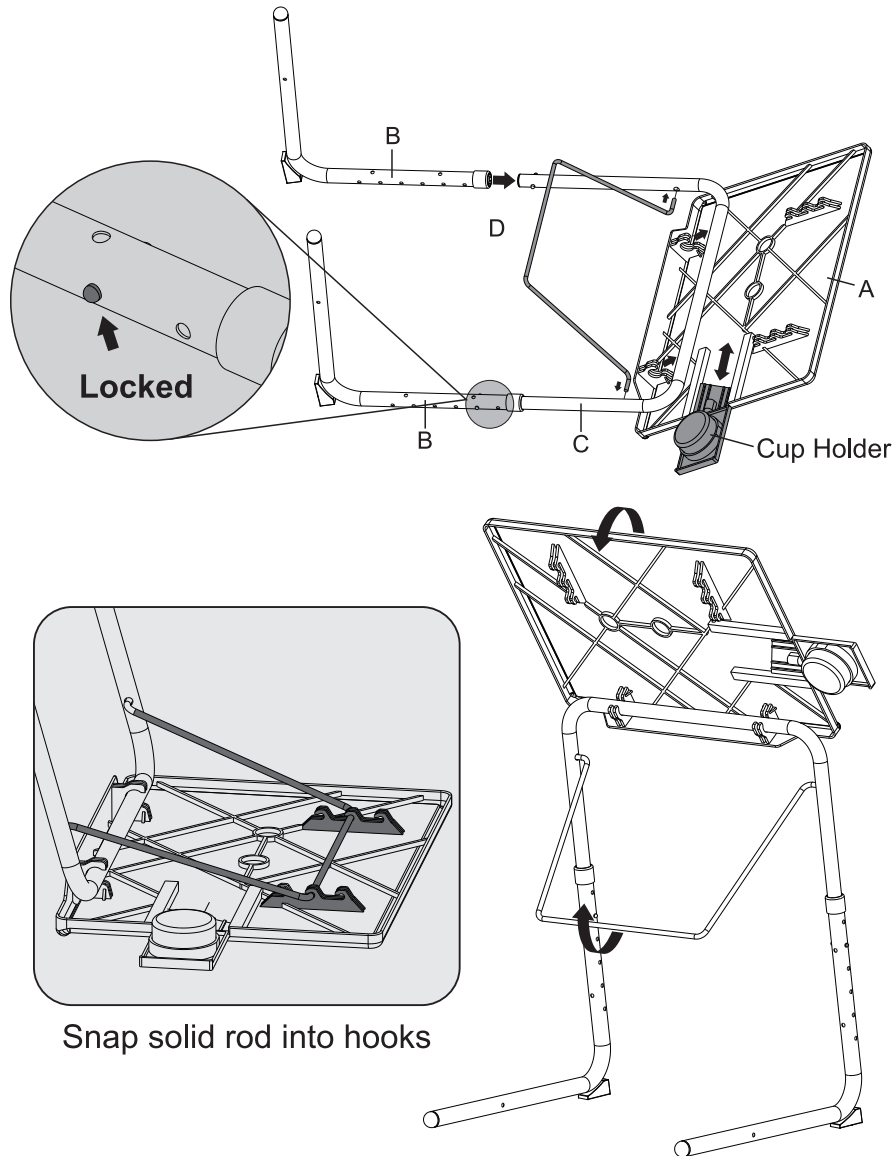
PRODUCT ASSEMBLY

PRODUCT ASSEMBLY

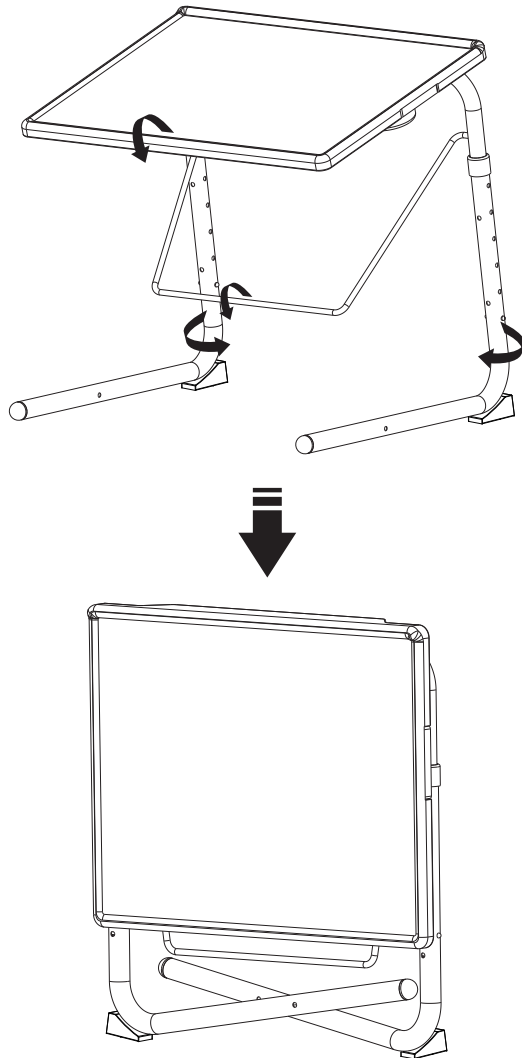
! Check the package contents before getting started !

STEP 2 Angle & Height Adjustment

STEP 1 Assemble

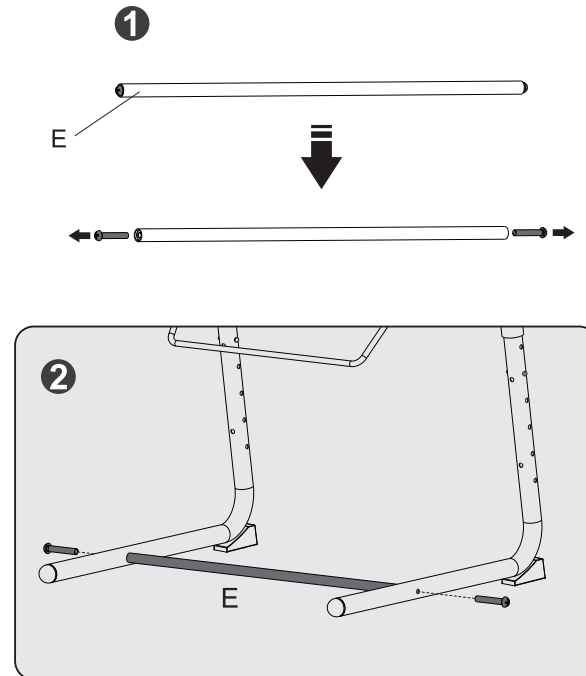


STEP 3 Fold For Easy Storage



STEP 4 Foot Enhancement (Optional)

Assemble Part E to make TV TRAY foot more stable



Disassemble Part E if you want to fold the TV TRAY.

CAUTION!

HNTT IS NOT DESIGNED FOR ANYONE TO STAND ON, SIT ON, OR CHANGE BABIES ON.

THE MANUFACTURER SHALL NOT BE RESPONSIBLE FOR ANY INJURIES CAUSED BY USING HNTT FOR THESE PURPOSES.