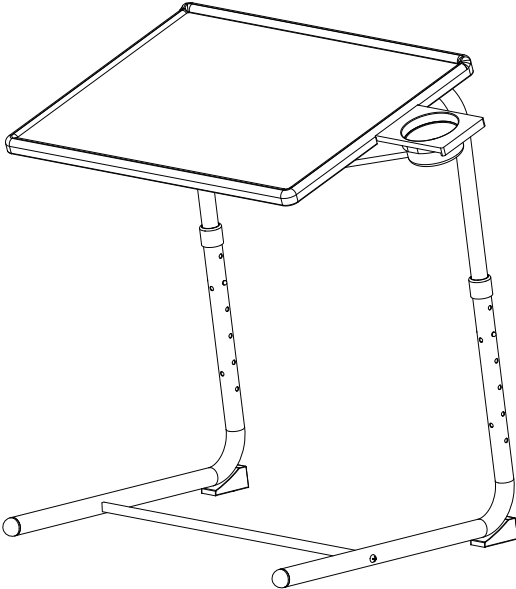


# User Manual

# JAXPETY

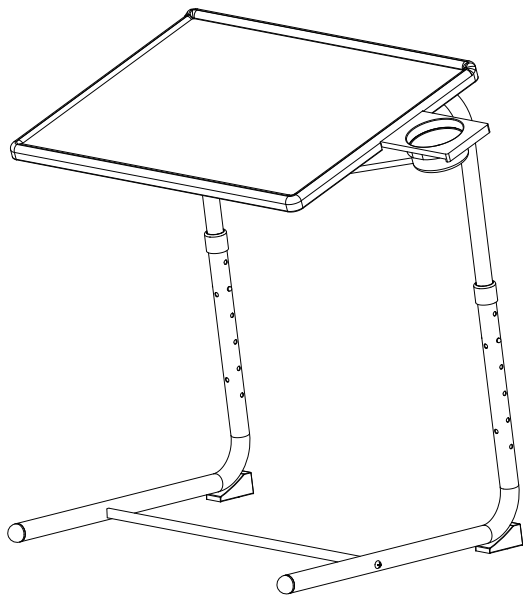


## You need

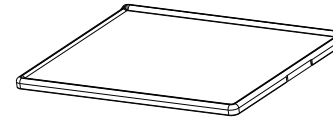
1 person is needed



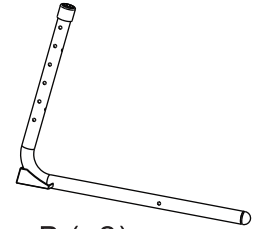
Technical Specifications	
Brand	JAXPETY
Size	520X400X710MM



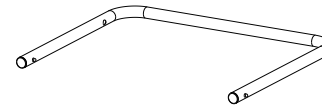
## Hardware List



A (x1)



B (x2)



C (x1)



D (x1)

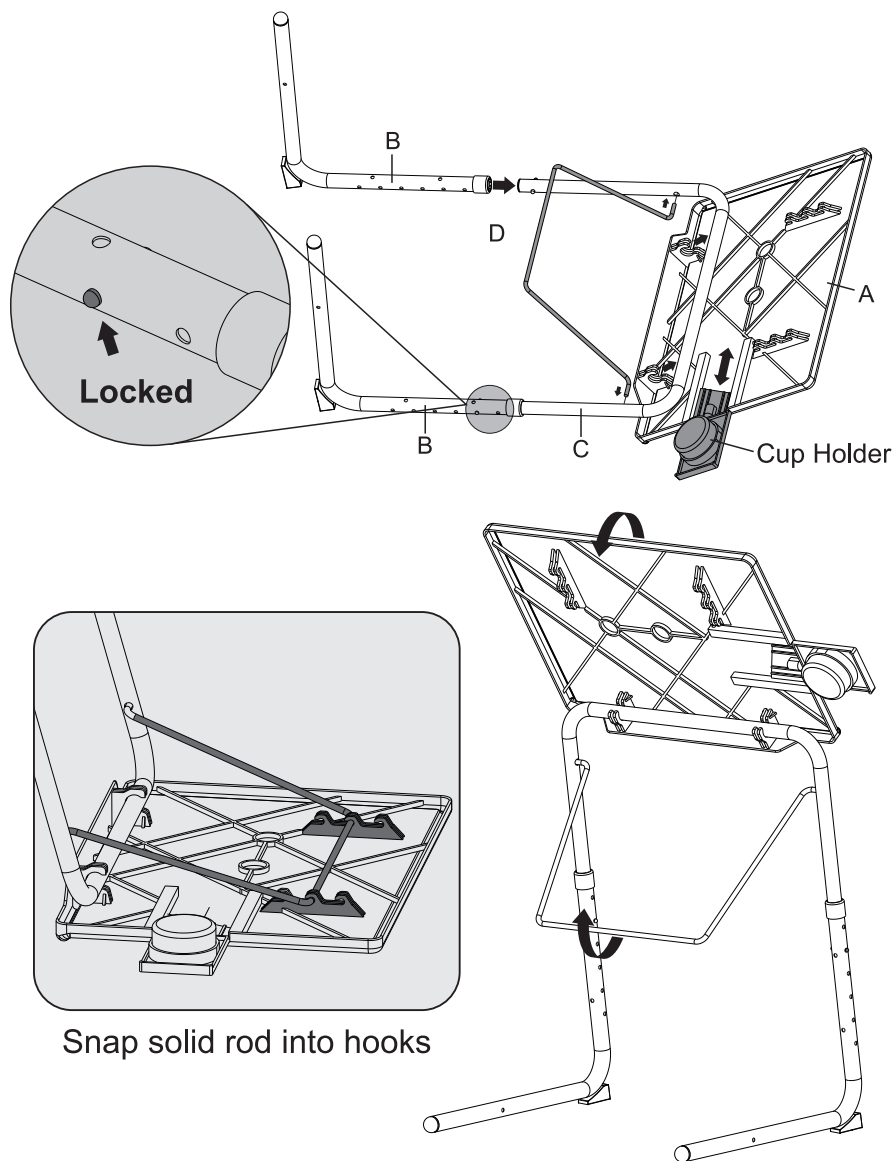


E (x1)  
*(optional)*

PRODUCT ASSEMBLY

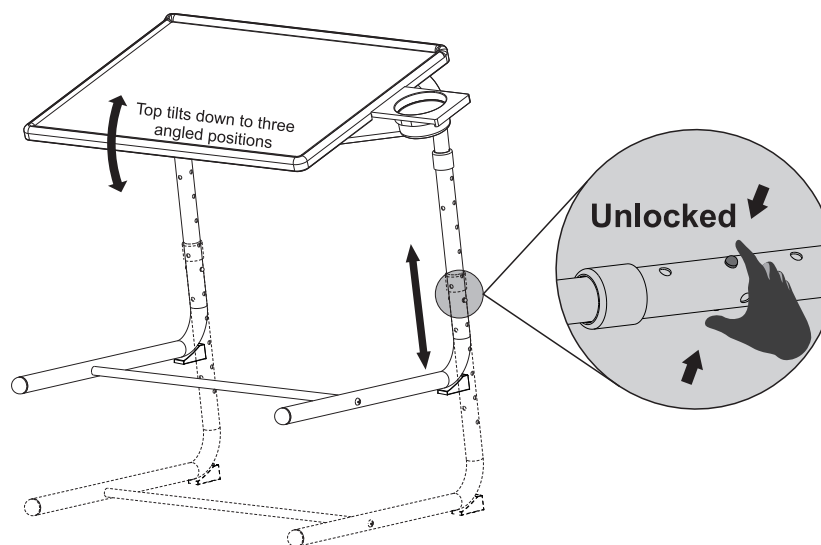
**!** Check the package contents before getting started !

**STEP 1 Assemble**

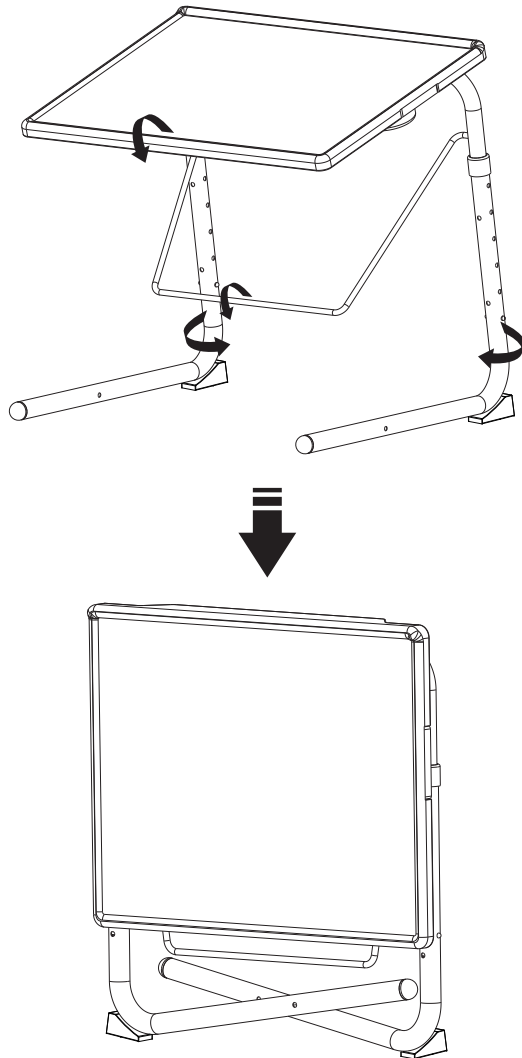


PRODUCT ASSEMBLY

**STEP 2 Angle & Height Adjustment**

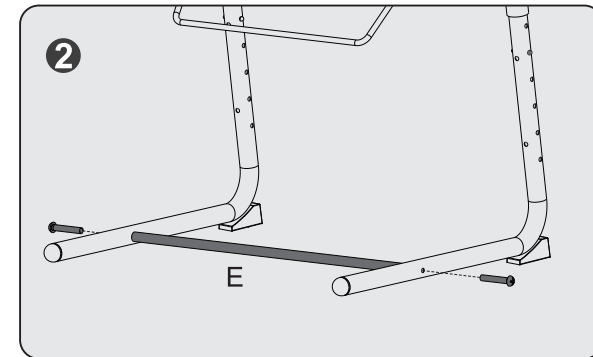
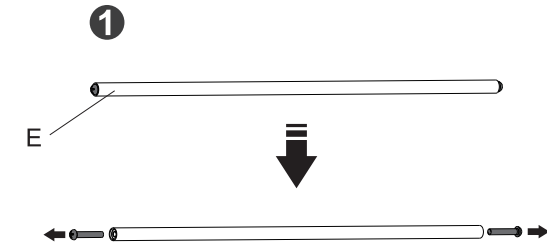


**STEP 3 Fold For Easy Storage**



**STEP 4 Foot Enhancement (Optional)**

Assemble Part E to make TV TRAY foot more stable



**Disassemble Part E if you want to fold the TV TRAY.**

**CAUTION!**

HNTT IS NOT DESIGNED FOR ANYONE TO STAND ON, SIT ON, OR CHANGE BABIES ON.

THE MANUFACTURER SHALL NOT BE RESPONSIBLE FOR ANY INJURIES CAUSED BY USING HNTT FOR THESE PURPOSES.