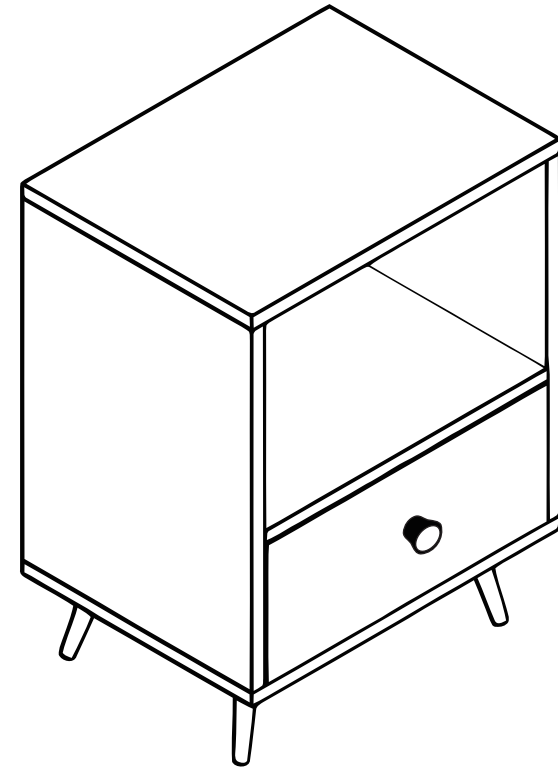


User Manual

JAXPETY



Model Number: HGP0453
HGP0454

JAXPETY

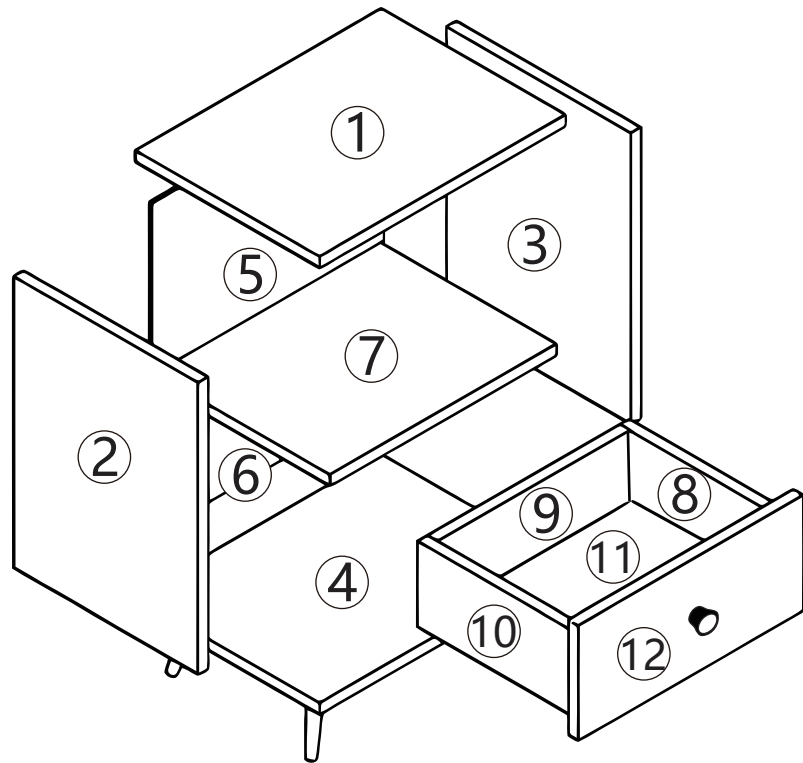
You need

① Tools required

Double-headed screwdriver is required for the assembly of this product. (not included)

Power tools should not be used to assemble this product.

② 1 person is needed



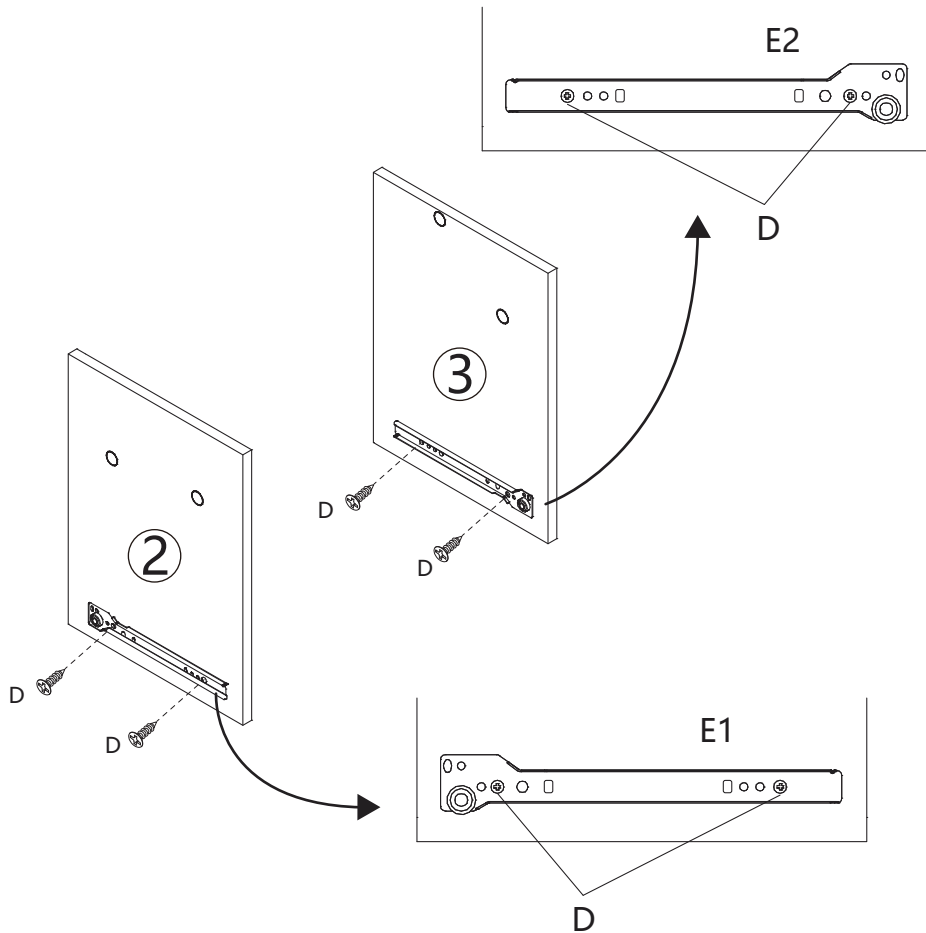
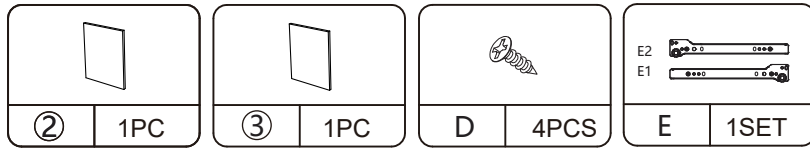
Hardware List

 430x301x15mm ① 1PC	 413x301x15mm ② 1PC	 413x310x15mm ③ 1PC	 403x301x15mm ④ 1PC
 380x242x3mm ⑤ 1PC	 380x174x3mm ⑥ 1PC	 371x301x15mm ⑦ 1PC	 250x120x15mm ⑧ 1PC
 316x120x15mm ⑨ 1PC	 250x120x15mm ⑩ 1PC	 325x243x3mm ⑪ 1PC	 367x160x15mm ⑫ 1PC
 40x6mm A 12PCS	 Ø8x40mm B 12PCS	 150mm C 4PCS	 M3.5x14mm D 28PCS
 E1 E2 E3 E4 E 1SET	 F 4PCS	 M3.5x35mm G 4PCS	 H 1PC
 M4x22mm I 1PC	 Ø15x11mm J 12PCS	 M5x40mm K 4PCS	

PRODUCT ASSEMBLY

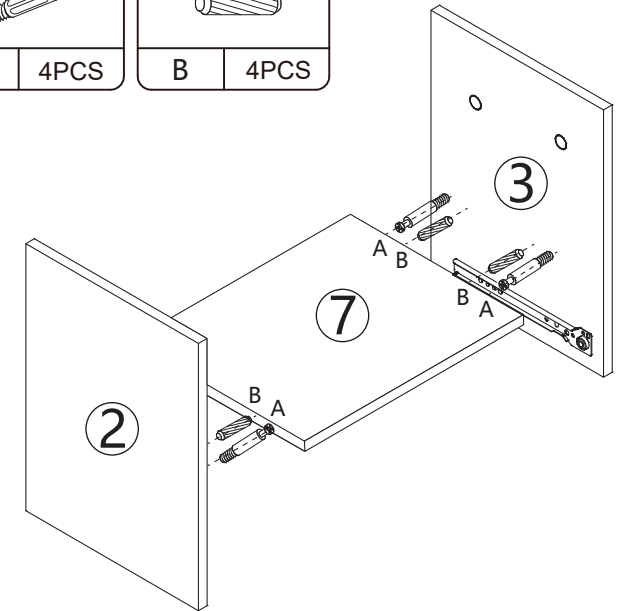
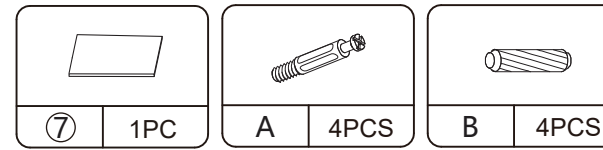
! Check the package contents before getting started !

STEP 1

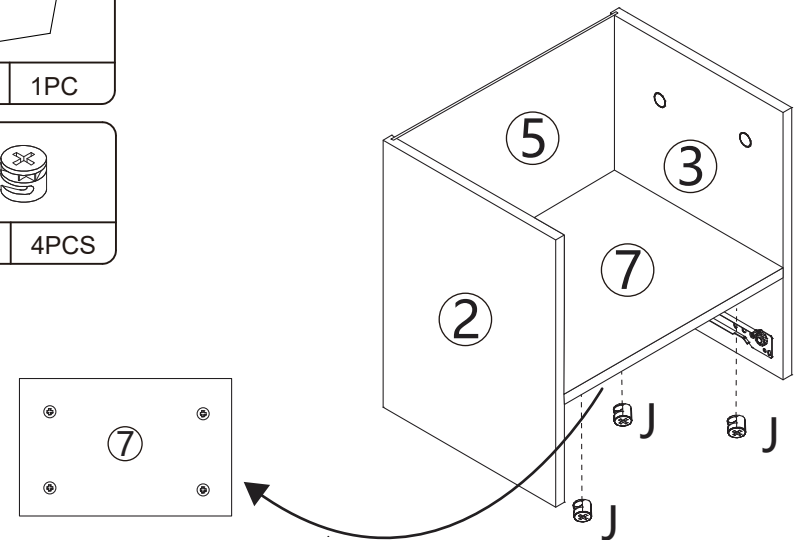
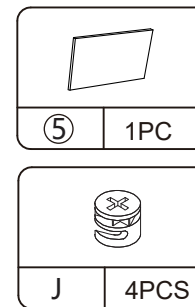


PRODUCT ASSEMBLY

STEP 2

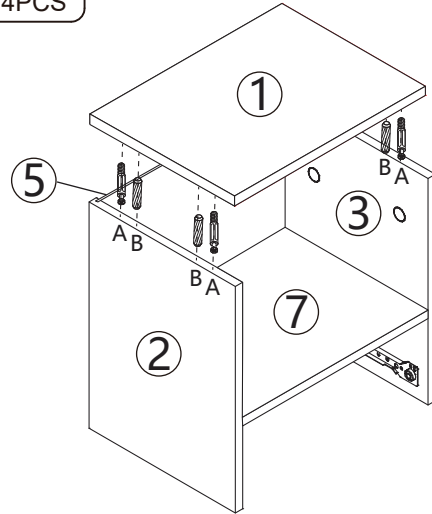
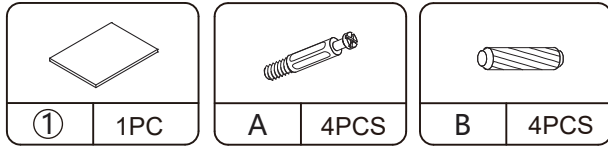


STEP 3

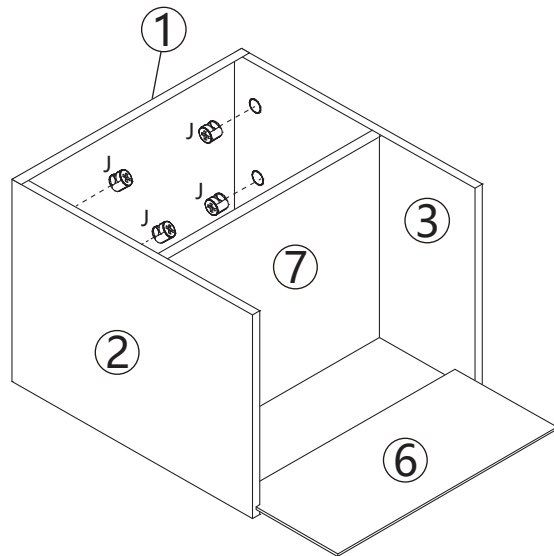
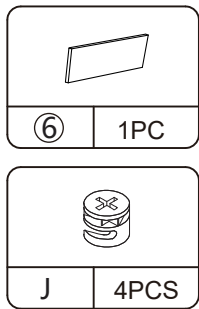


PRODUCT ASSEMBLY

STEP 4

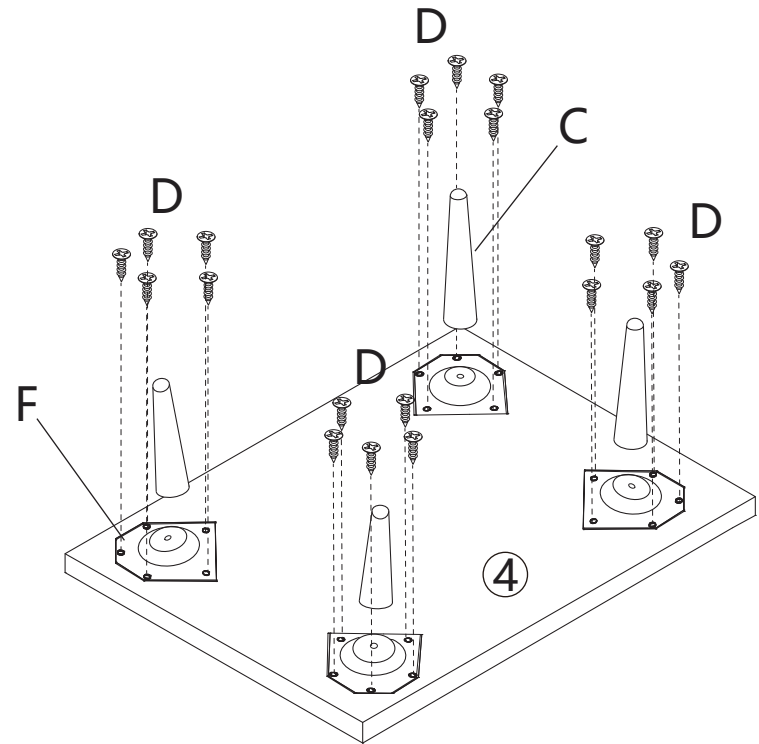


STEP 5



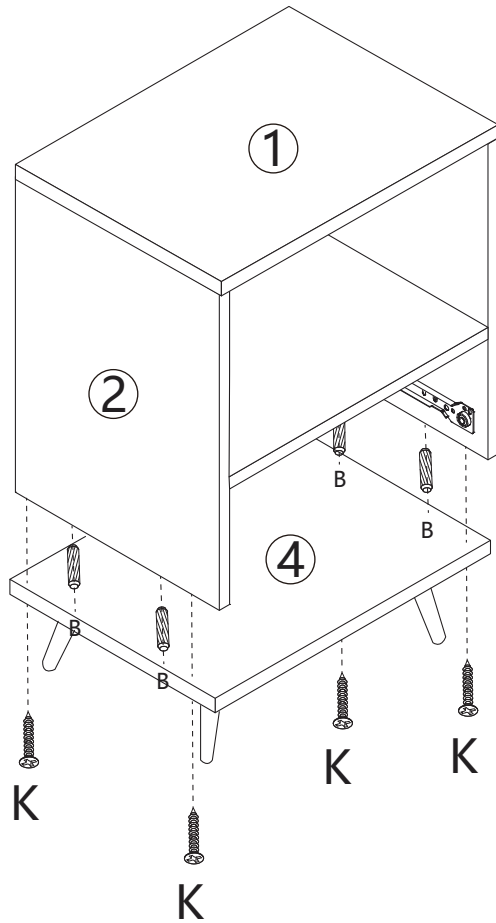
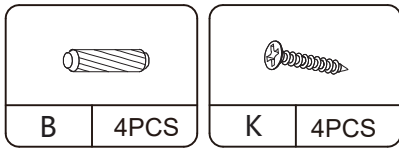
PRODUCT ASSEMBLY

STEP 6



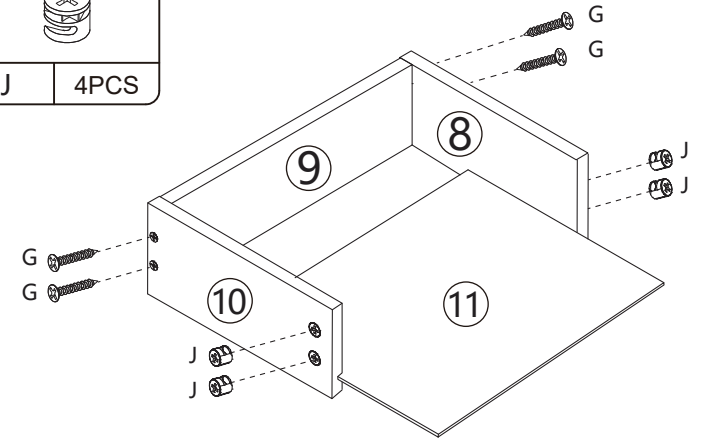
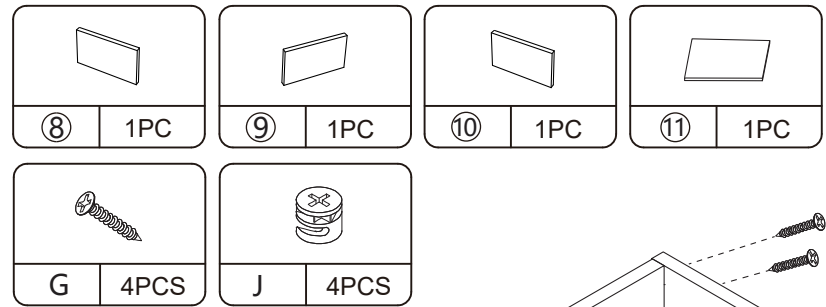
PRODUCT ASSEMBLY

STEP 7

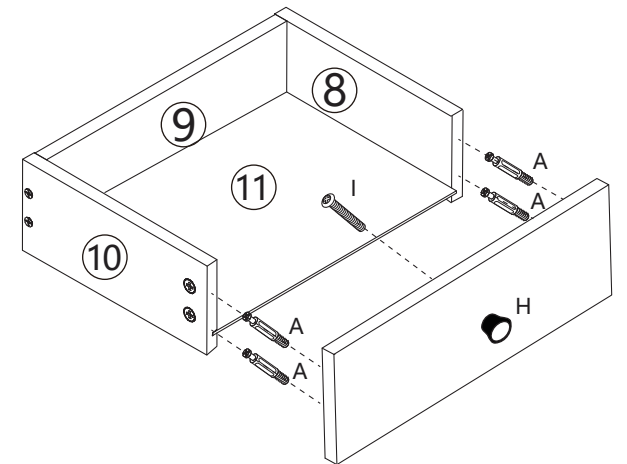
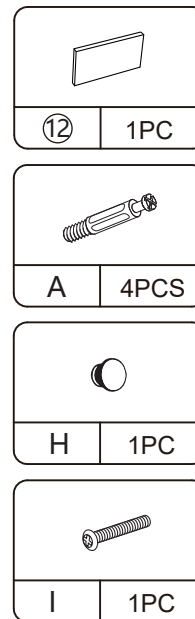


PRODUCT ASSEMBLY

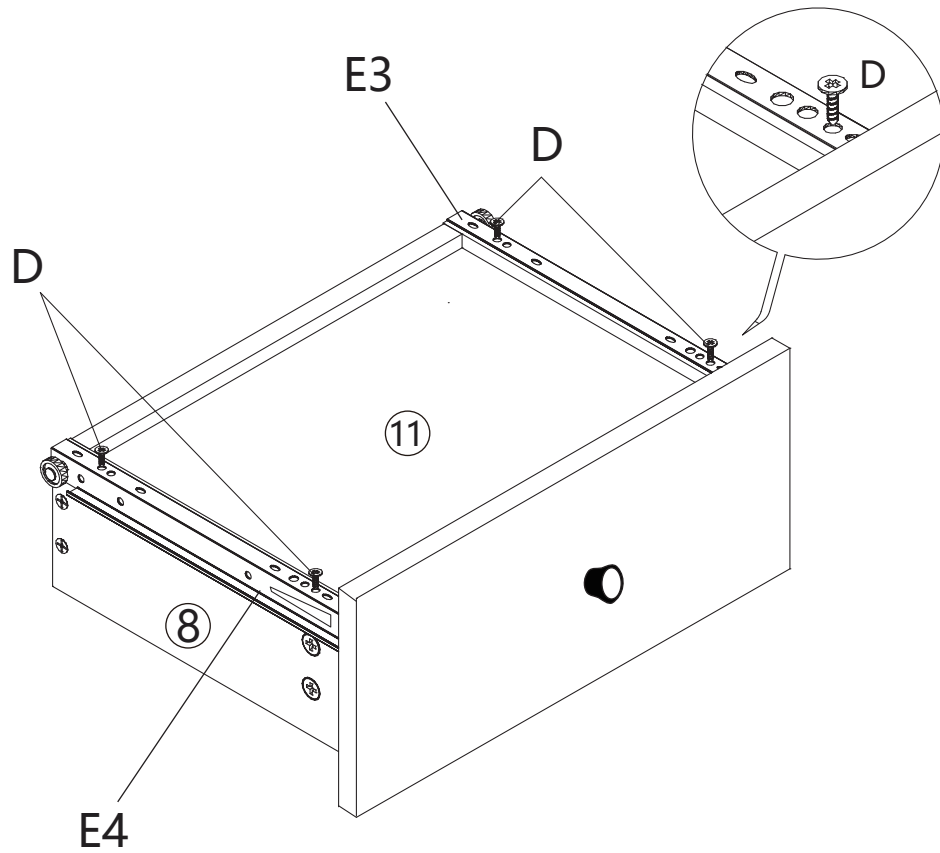
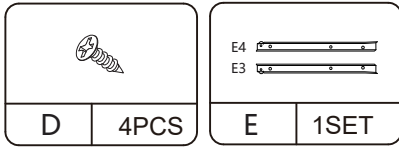
STEP 8



STEP 9



STEP 10



STEP 11

