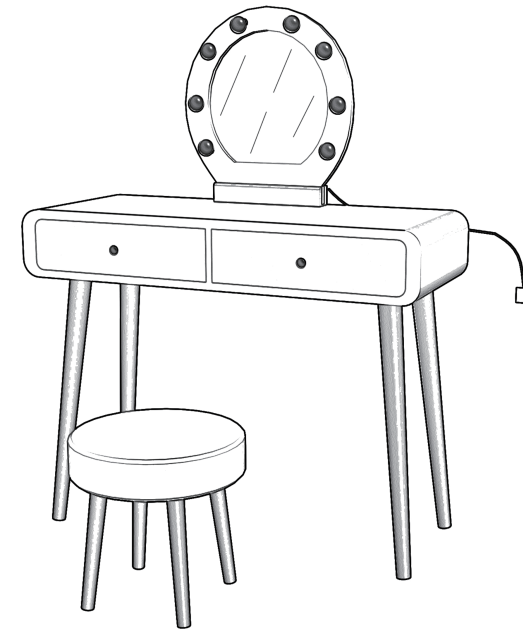


# User Manual

# JAXPETY



Model Number: HG61B0870



Scan ! To find more surprise!

**JAXPETY** | 

## You need

① 1 person is needed

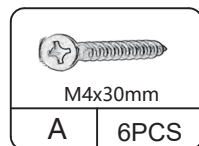
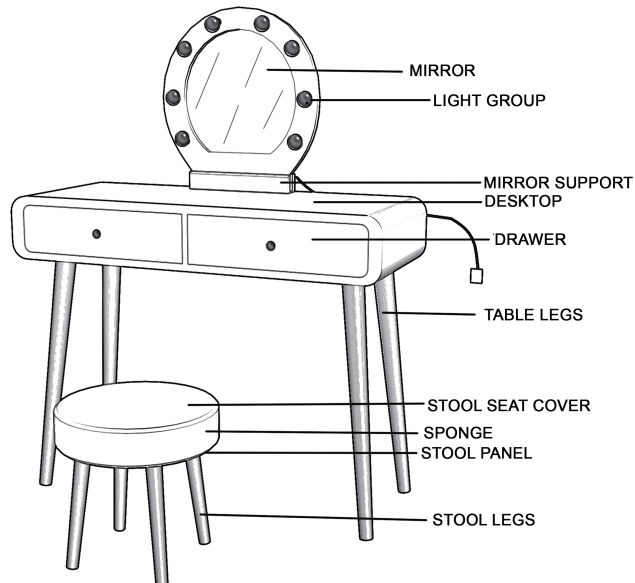


② Take 30 minutes



Technical Specifications	
Brand	JAXPETY
Style	for furniture
Max weight capacity	desk180KG; stool150KG

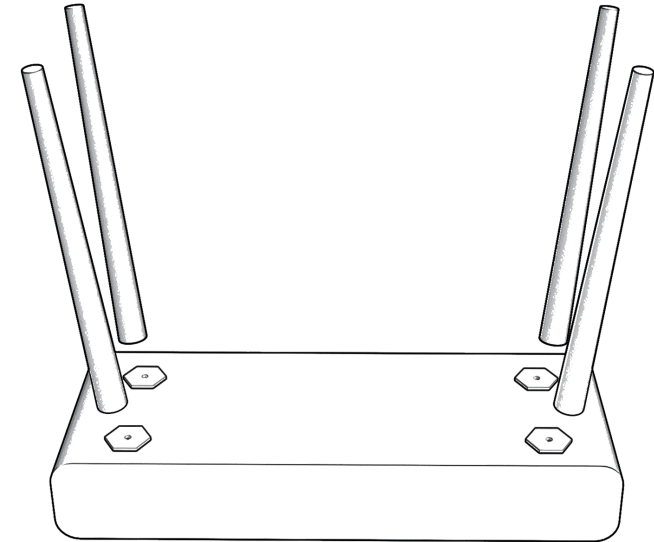
## PART LIST



## PRODUCT ASSEMBLY

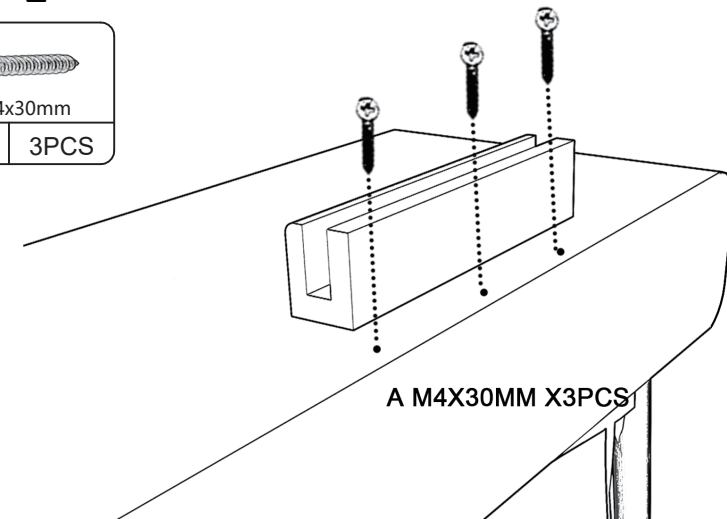
**⚠ Check the package contents before getting started !**

### STEP 1



USE THE ROTATION METHOD TO INSTALL THE LEGS ON THE TABLE.

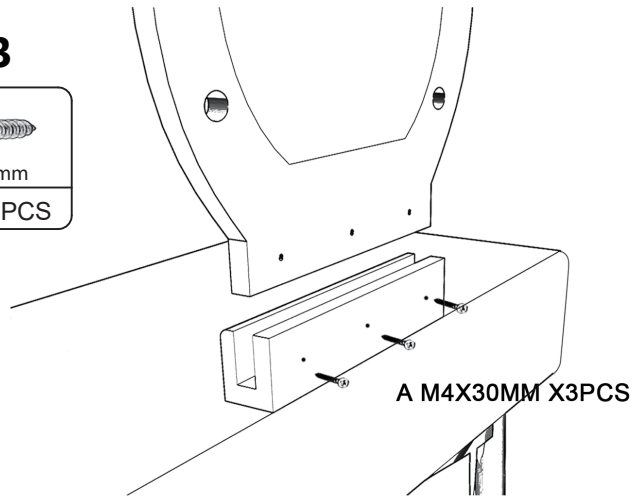
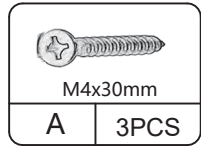
### STEP 2



MOUNT THE MIRROR SUPPORT TO THE TABLE AS SHOWN, USING SCREWS A(X3PCS).

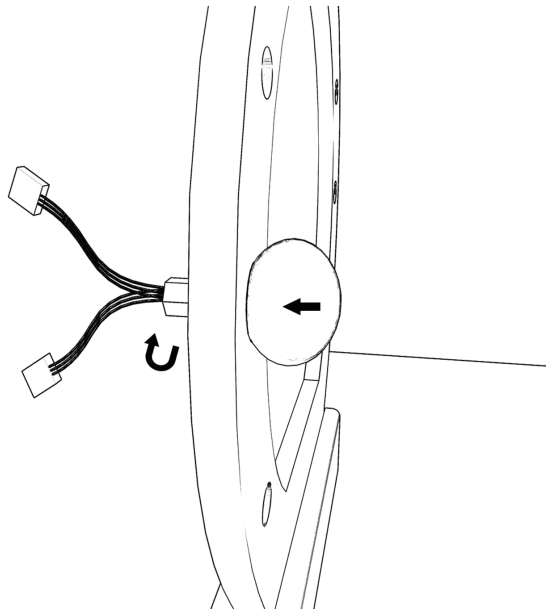
PRODUCT ASSEMBLY

STEP 3



INSERT THE MIRROR INTO THE MIRROR SUPPORT AND FIX IT WITH SCREWA (X3 PCS)

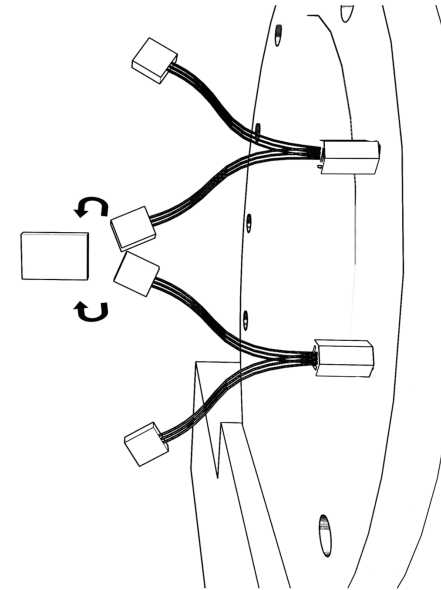
STEP 4



INSTALL THE LAMP SET AS SHOWN AND INSTALL OTHER LUMINAIRES IN TURN.

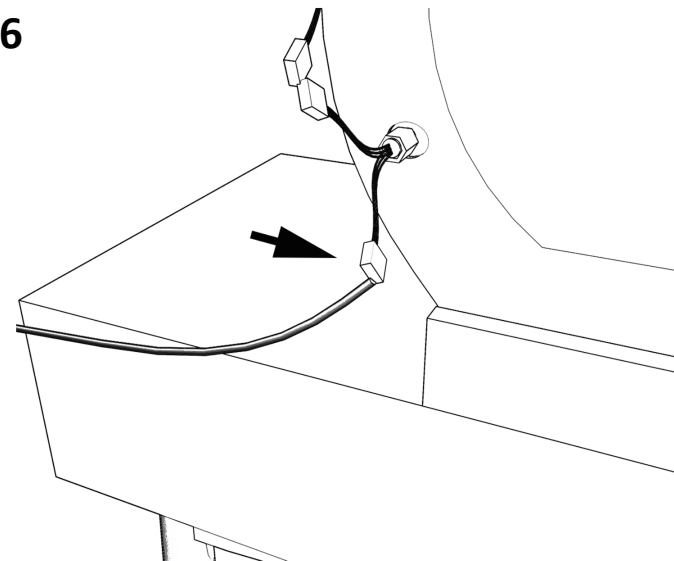
PRODUCT ASSEMBLY

STEP 5



CONNECT THE TWO ENDS OF ALL LUMINAIRES TO EACH OTHER AS SHOWN IN THE FIGURE.

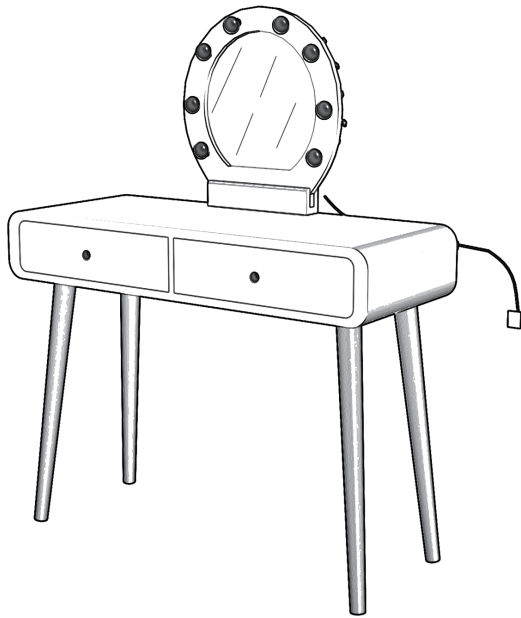
STEP 6



CONNECT THE LAST CONNECTOR TO THE EXTERNAL CABLE IN THE LAMP SET.

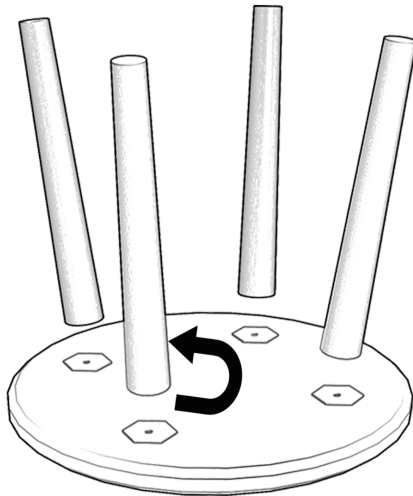
**PRODUCT ASSEMBLY**

**STEP 7**



THE DRESSER IS ASSEMBLED.

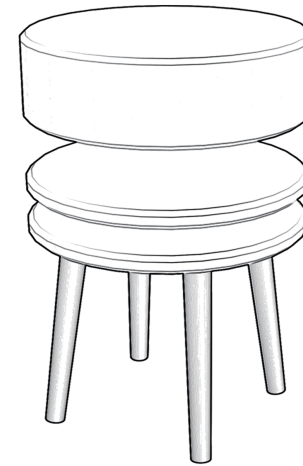
**STEP 8**



ROTATE THE STOOL LEGS TO THE STOOL PANEL

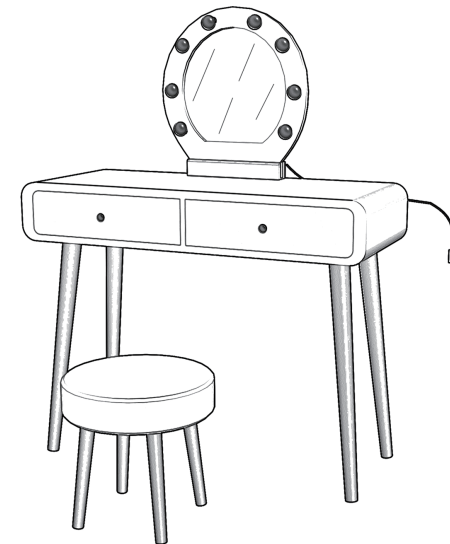
**PRODUCT ASSEMBLY**

**STEP 9**



PUT A SPONGE ON THE STOOL AND THEN USE THE STOOLSEAT COVER TO COVER THE .STOOL

**STEP 10**



ASSEMBLY COMPLETED

**NOTE:**

THE LAMP SET OF THIS PRODUCT IS COMPSED OF 8 LAMPS AND AN EXTERNAL POWER CABLE.BEFORE INSTALLATION, IT NEEDS TO BE DISASSEMBLED AND PUT INTO THE CORRESPONDING POSITION