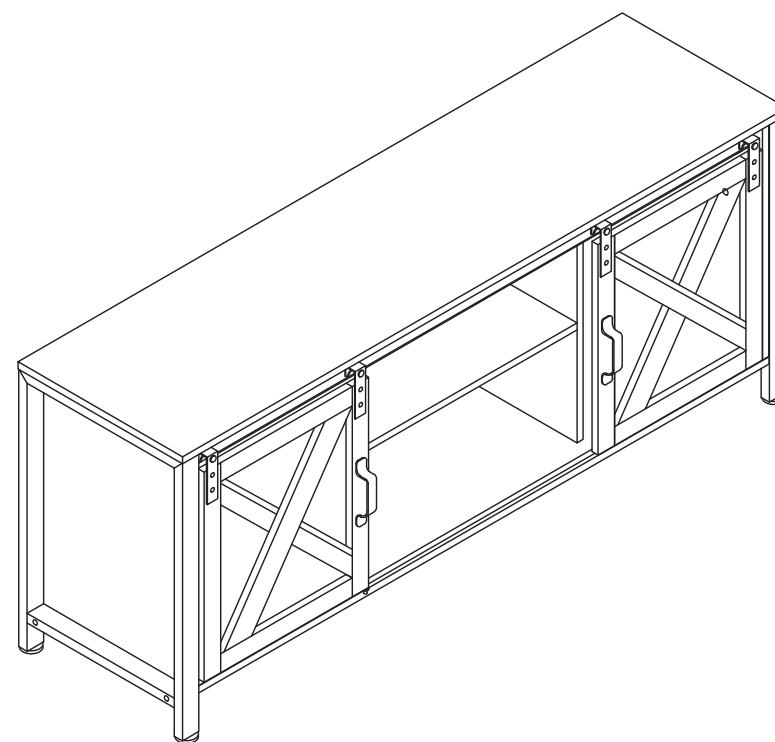


User Manual

JAXPETY



Model Number: HG61E1177



Scan ! To find more surprise!



You need

① Tools required

A Phillips head screwdriver is required for the assembly of this product. (not included)

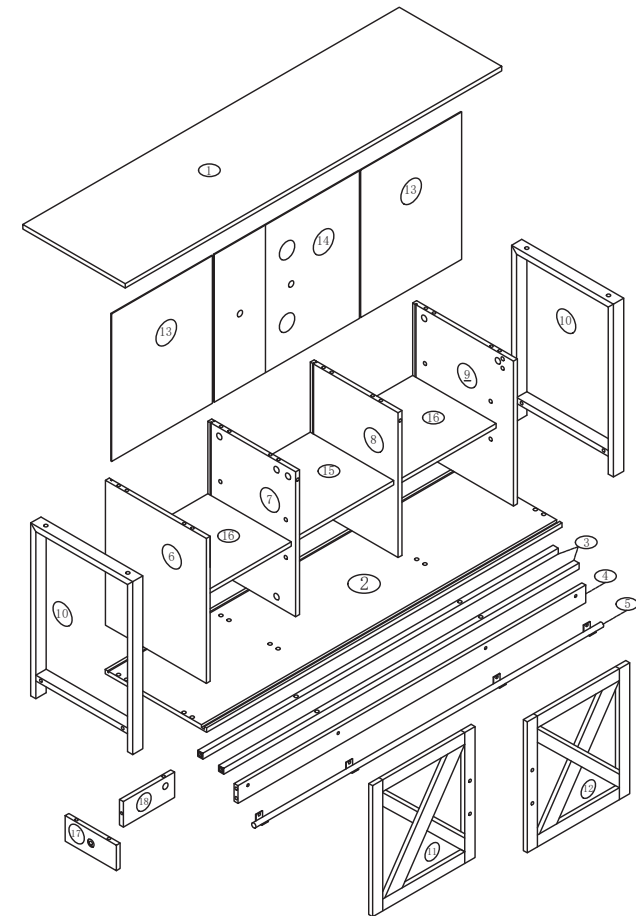
Power tools should not be used to assemble this product.

② 2 persons are needed

	I	4PCS		J	14PCS		K	4PCS		L	2PCS		M	4PCS
		N	8PCS											

Hardware List

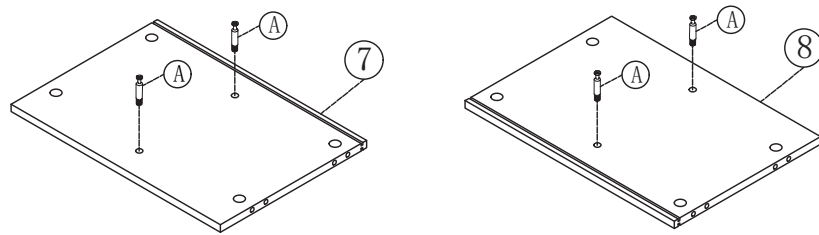
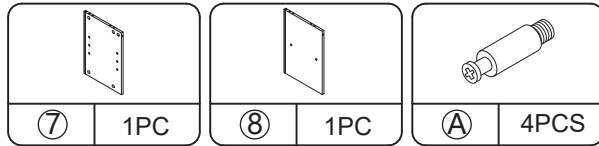
	1	1PC		2	1PC		3	2PCS		4	1PC		5	1PC
	6	1PC		7	1PC		8	1PC		9	1PC		10	2PCS
	11	1PC		12	1PC		13	2PCS		14	1PC		15	1PC
	16	2PCS		17	1PC		18	1PC		A	27PCS		B	27PCS
	C	18PCS		D	1PC		E	4PCS		F	8PCS		H	4PCS



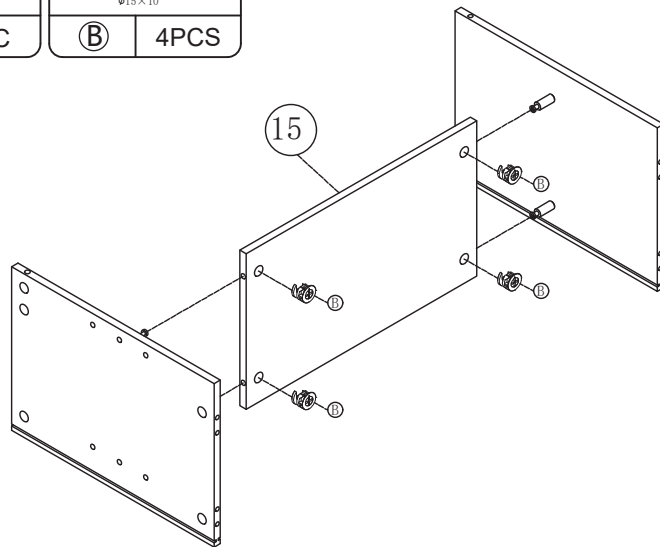
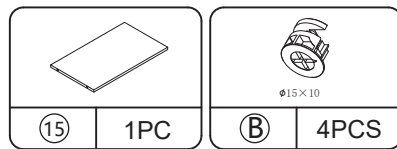
PRODUCT ASSEMBLY

! Check the package contents before getting started !

STEP 1

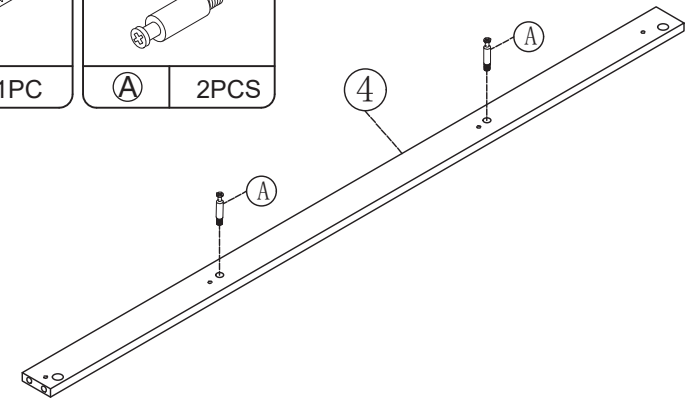
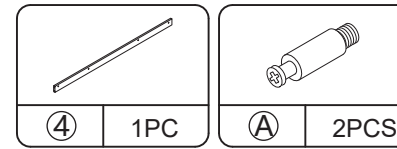


STEP 2

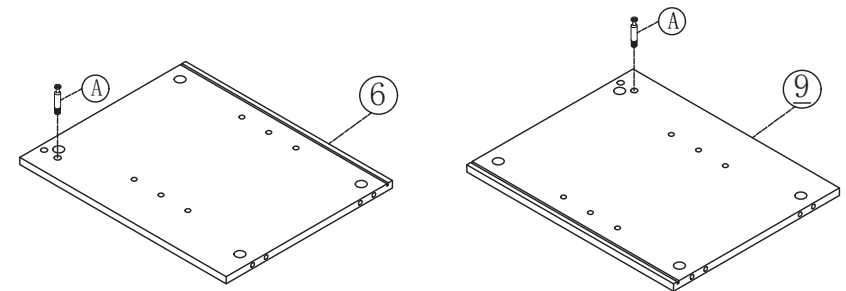
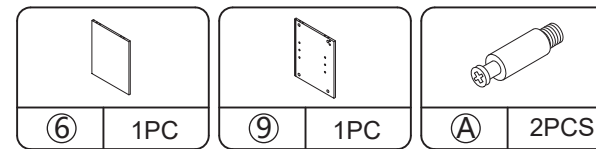


PRODUCT ASSEMBLY

STEP 3

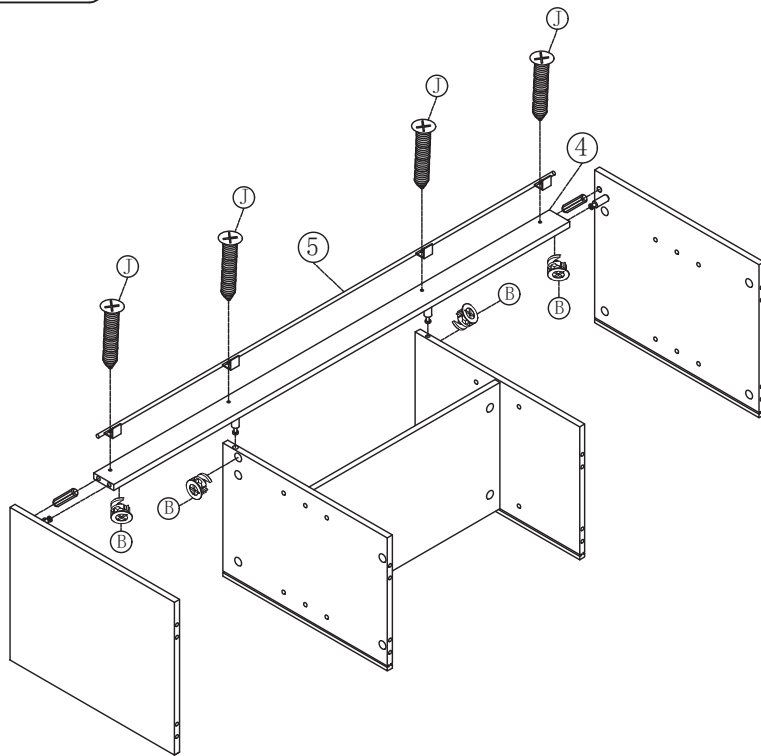
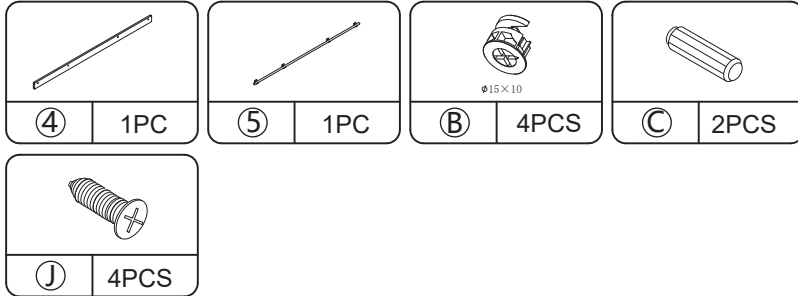


STEP 4



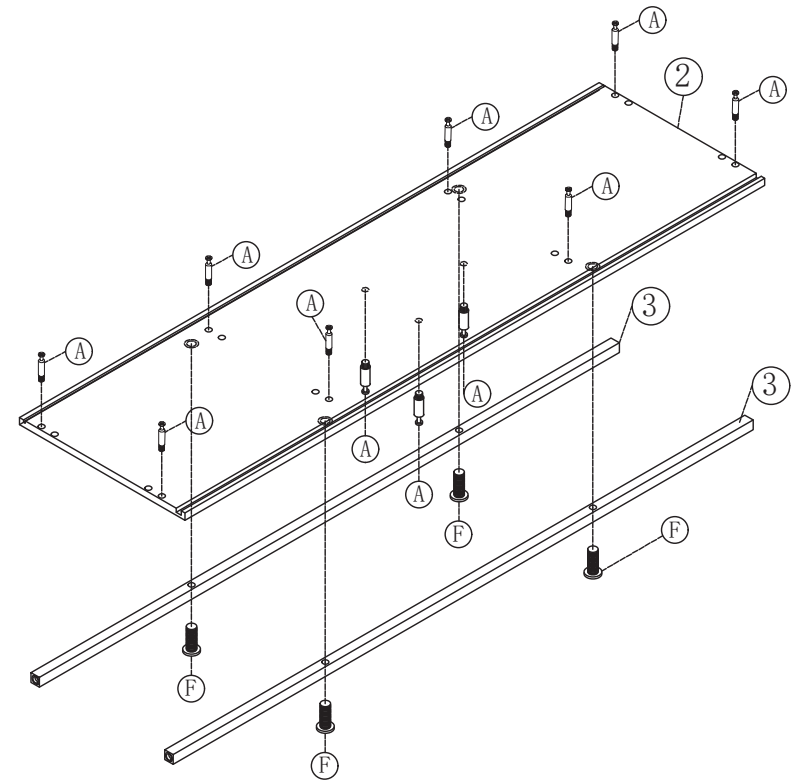
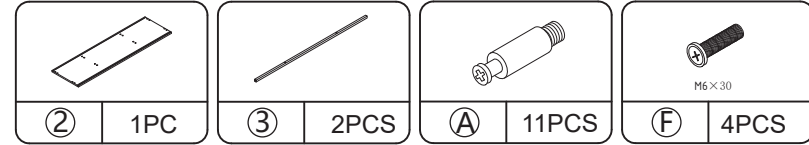
PRODUCT ASSEMBLY

STEP 5



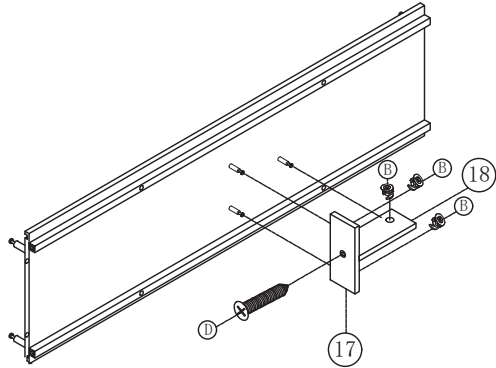
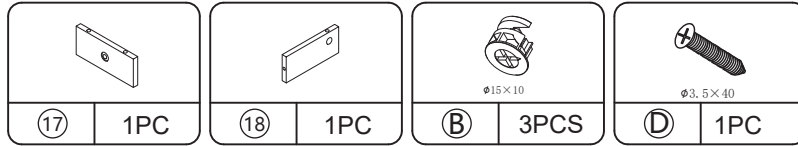
PRODUCT ASSEMBLY

STEP 6

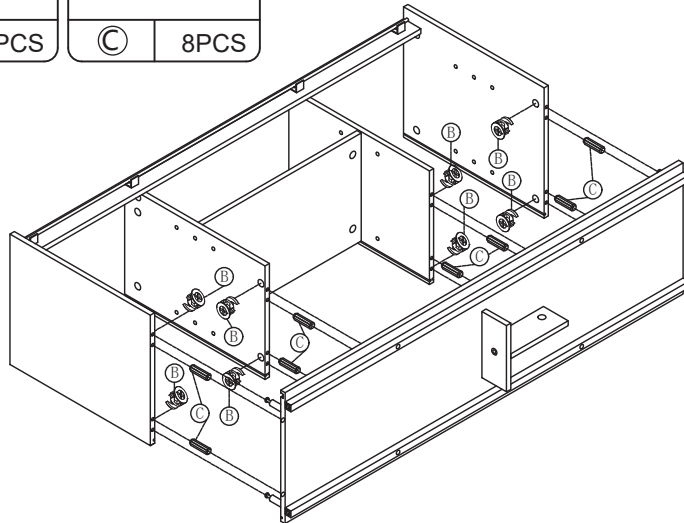
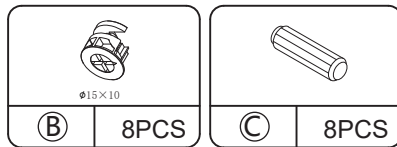


PRODUCT ASSEMBLY

STEP 7

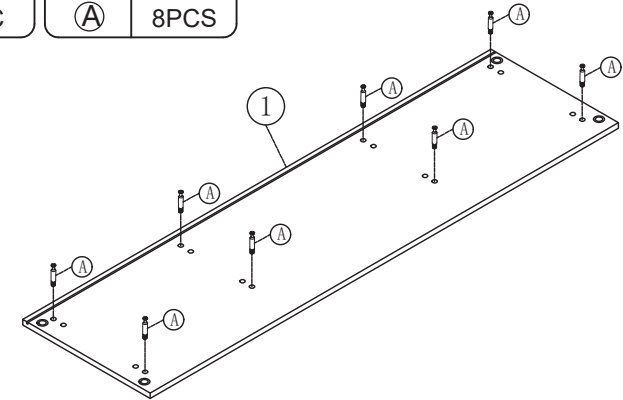
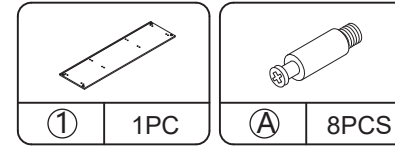


STEP 8

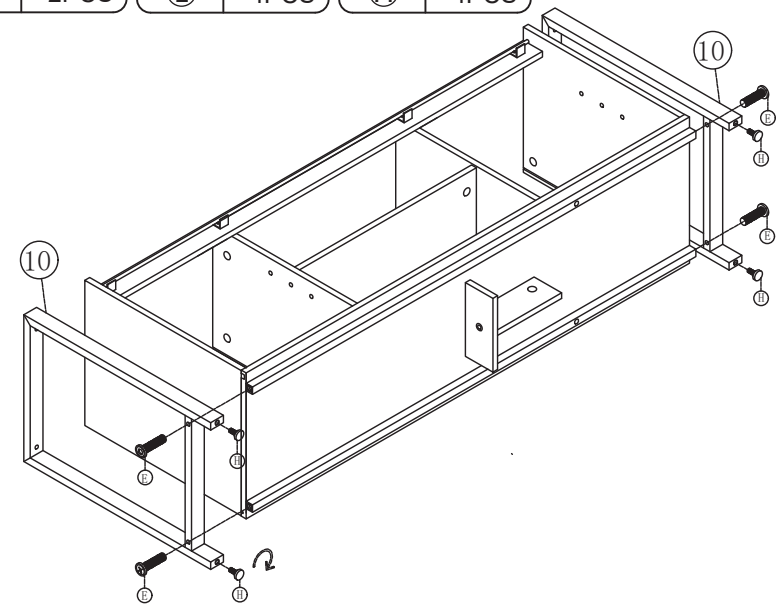
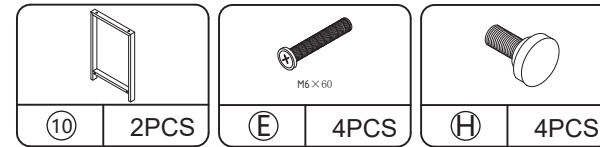


PRODUCT ASSEMBLY

STEP 9

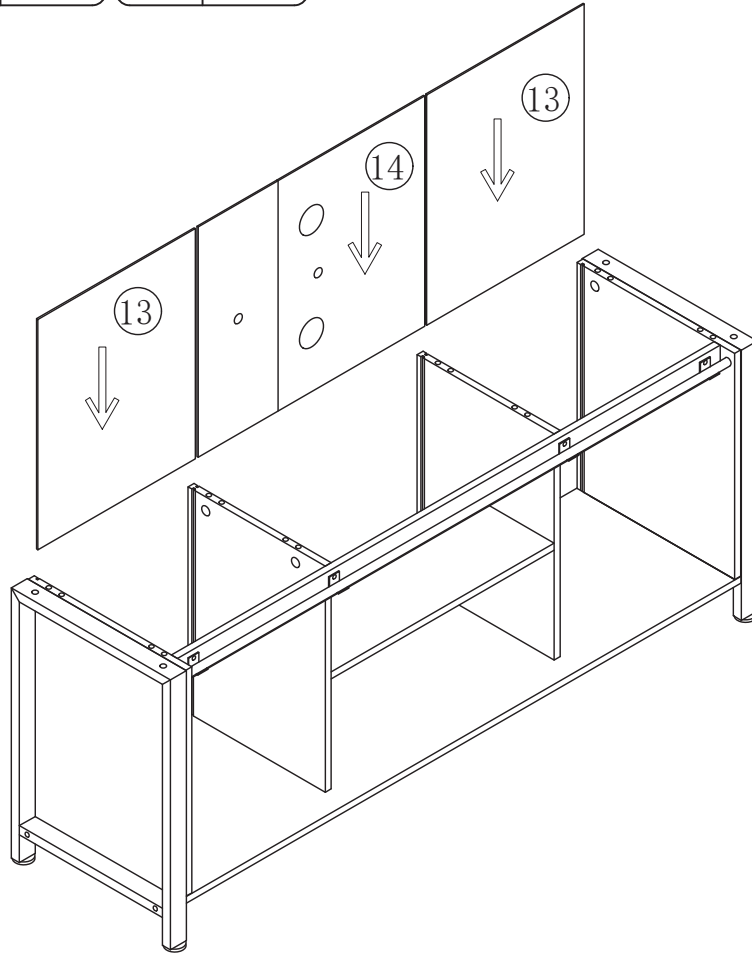
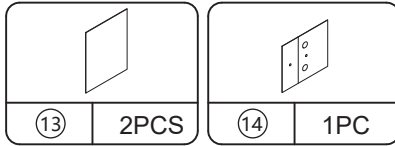


STEP 10



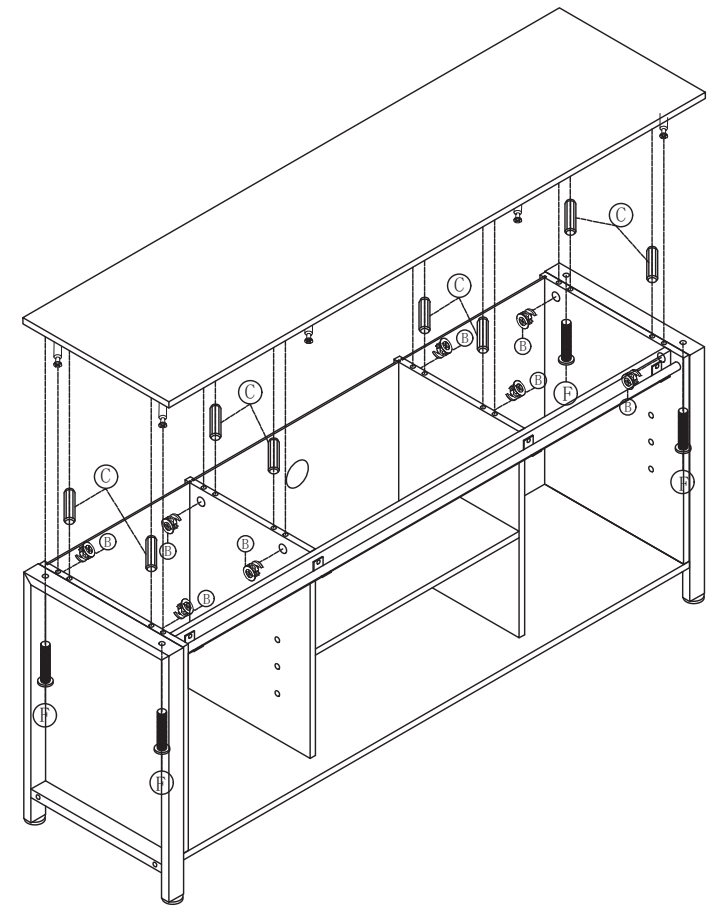
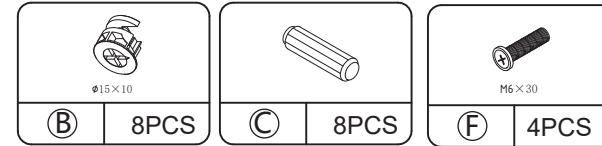
PRODUCT ASSEMBLY

STEP 11



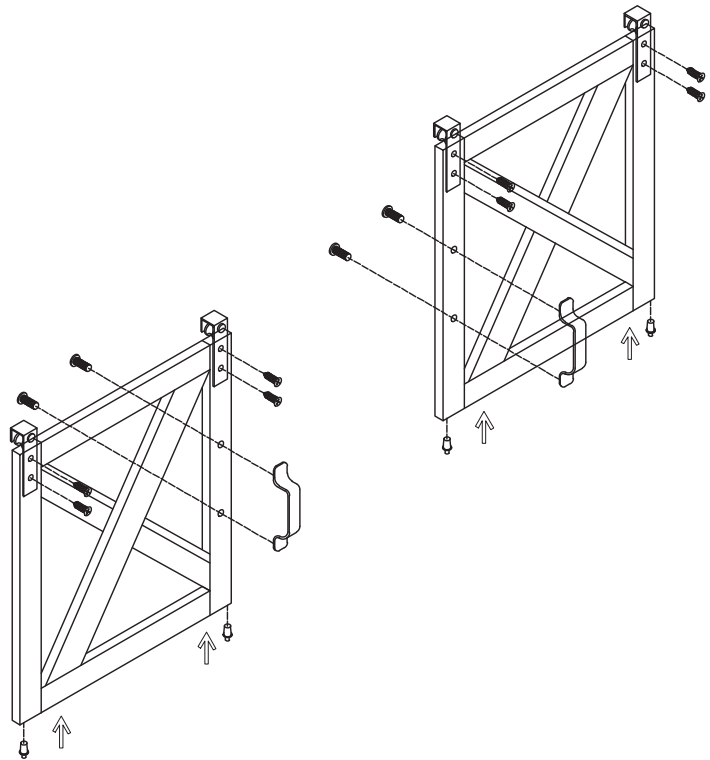
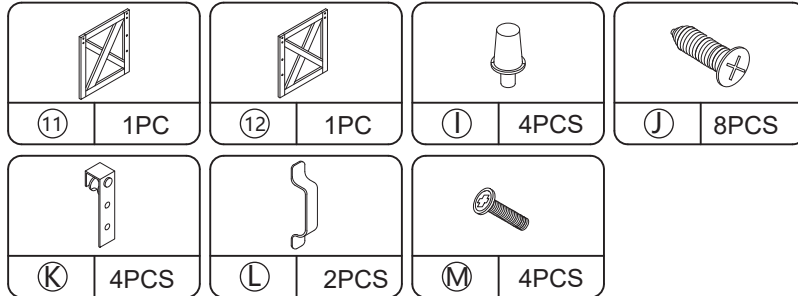
PRODUCT ASSEMBLY

STEP 12



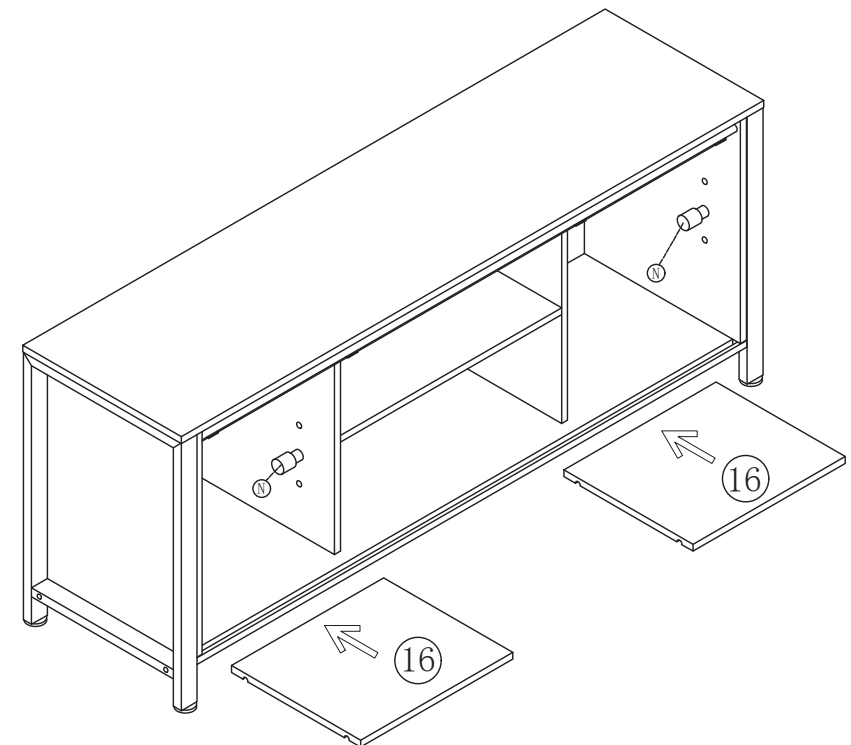
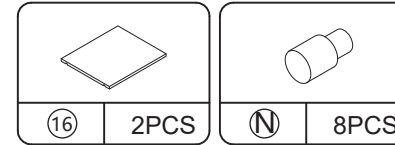
PRODUCT ASSEMBLY

STEP 13



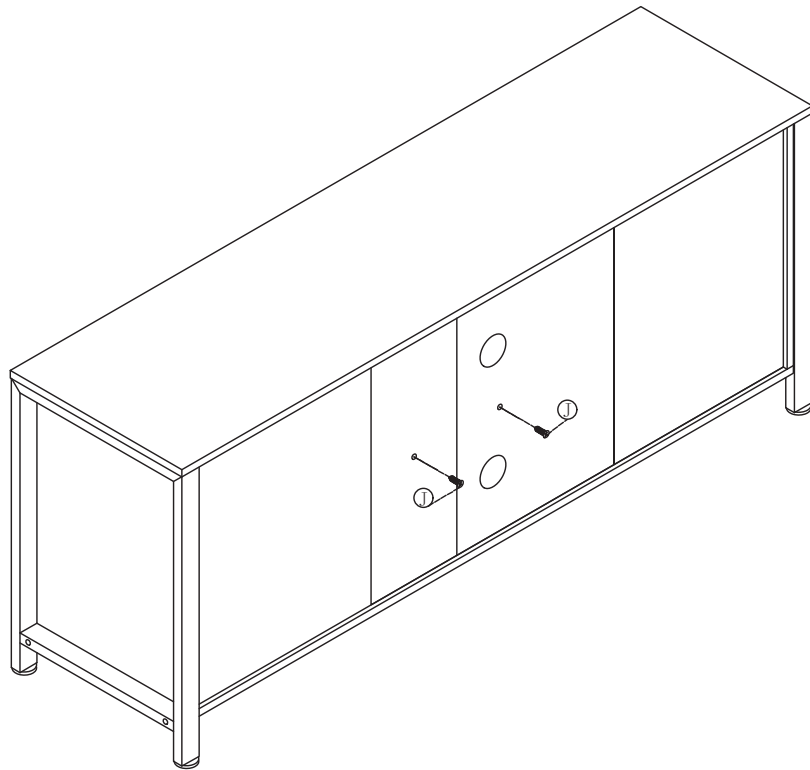
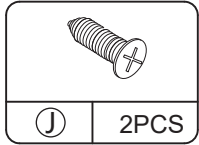
PRODUCT ASSEMBLY

STEP 14



PRODUCT ASSEMBLY

STEP 15



PRODUCT ASSEMBLY

STEP 16

