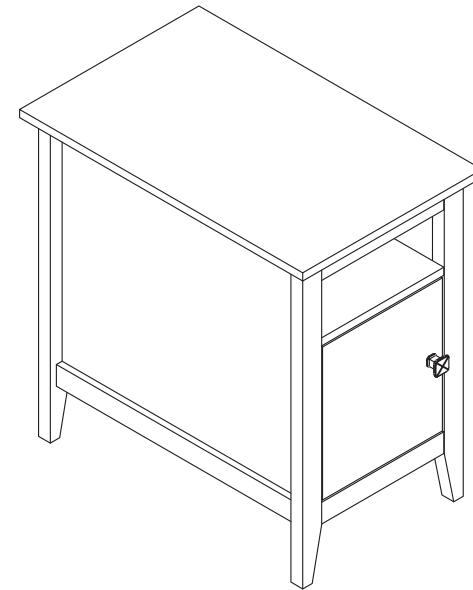


User Manual

JAXPETY

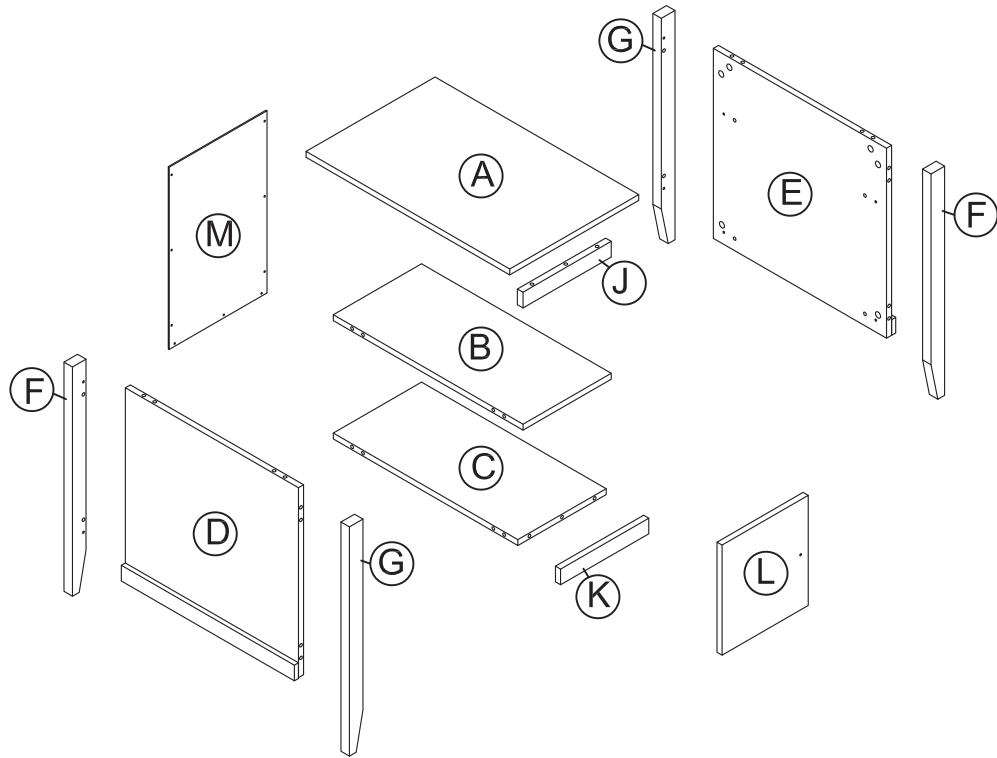


Model Number: HG61W1064
HG61X1065
HG61E1069
HG61F1070

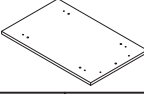
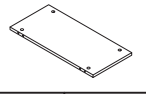
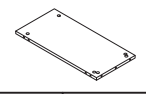
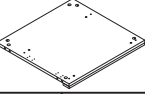
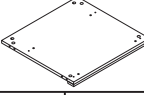




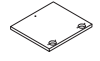


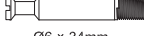


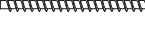




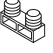
JAXPETY

You need

① 2 persons are needed



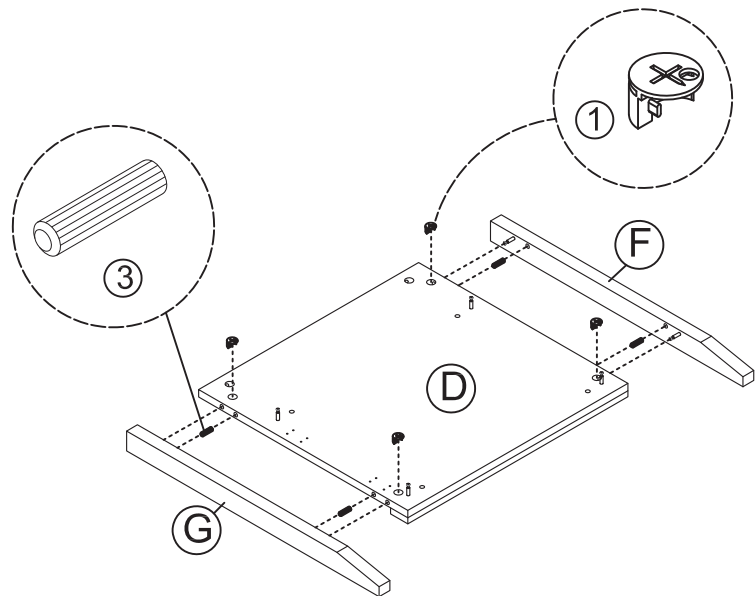
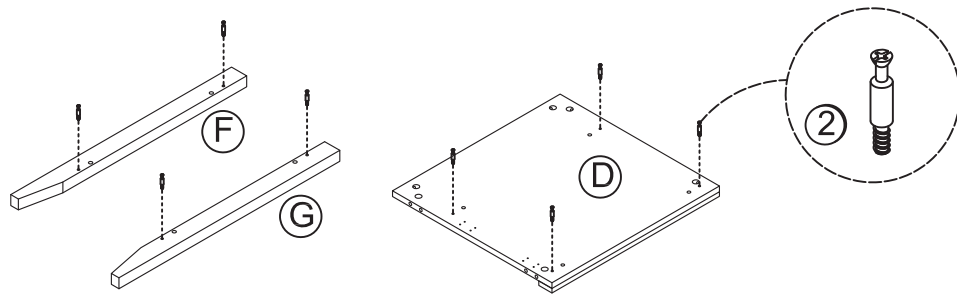
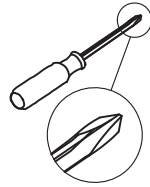
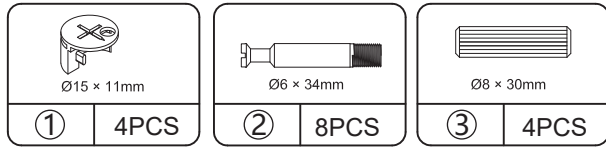
Hardware List

			
A 1PC	B 1PC	C 1PC	D 1PC
			
E 1PC	F 2PCS	G 2PCS	J 1PC
			
K 1PC	L 1PC	M 1PC	① 22PCS Ø15 × 11mm
			
② 22PCS Ø6 × 34mm	③ 22PCS Ø8 × 30mm	④ 9PCS Ø3X12mm	⑤ 2PCS Ø4.5 × 42mm
			
⑥ 2PCS Ø35mm	⑦ 12PCS Ø4X14mm	⑧ 1PC	⑨ 1PC M4X19mm
			
⑩ 1PC			

PRODUCT ASSEMBLY

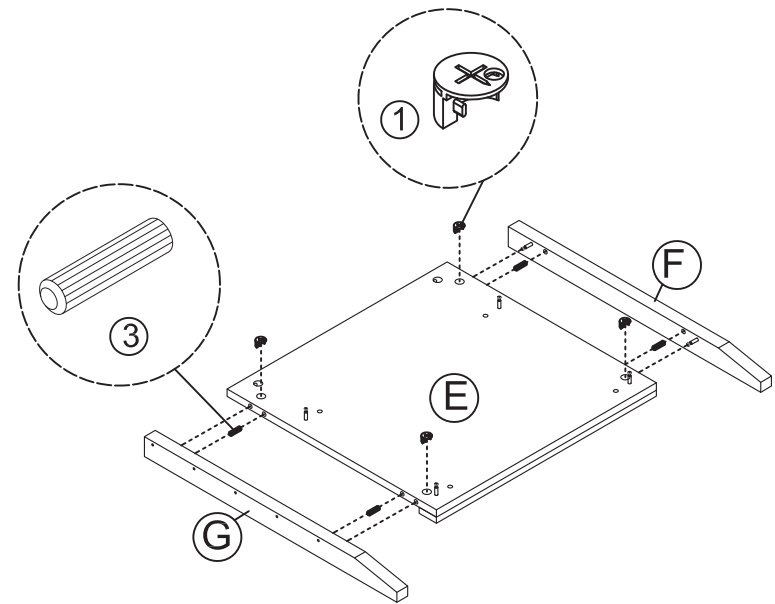
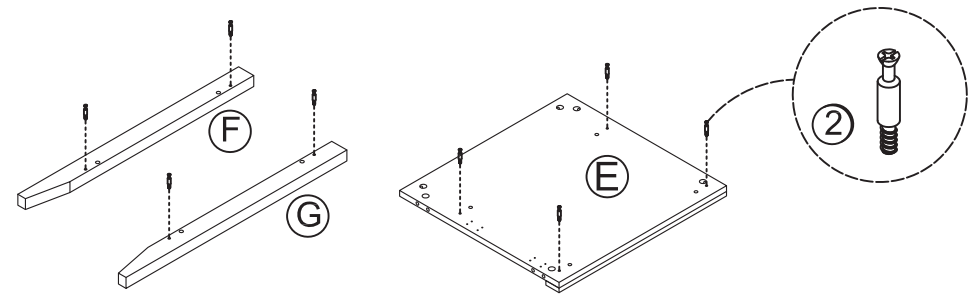
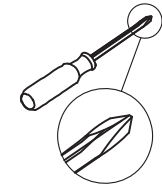
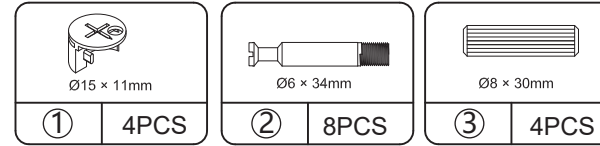
⚠ Check the package contents before getting started!

STEP 1




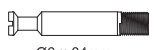

PRODUCT ASSEMBLY

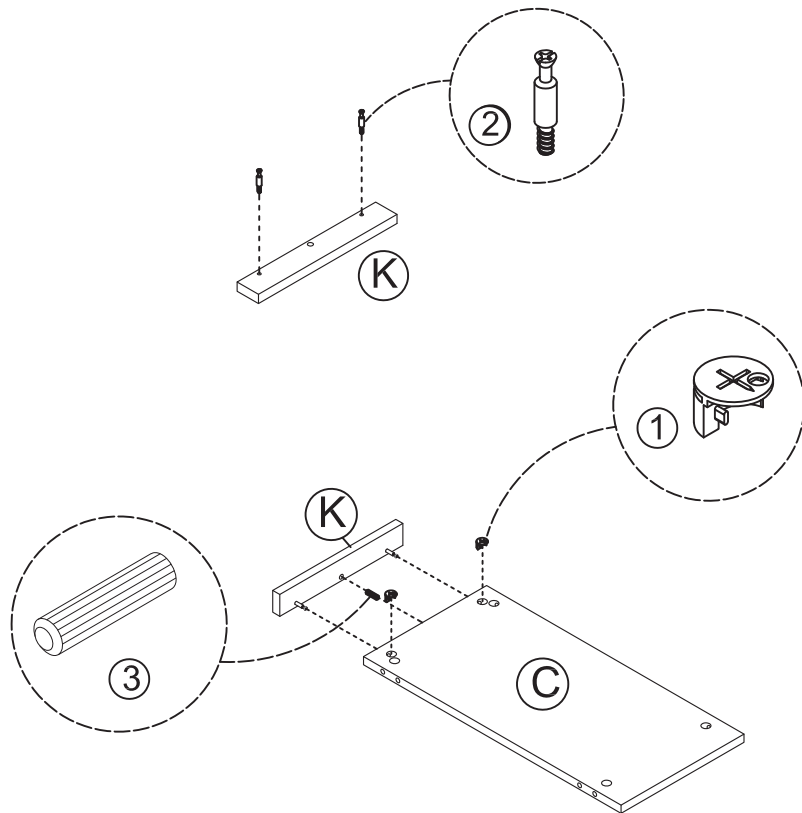
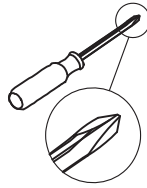
STEP 2



PRODUCT ASSEMBLY



STEP 3

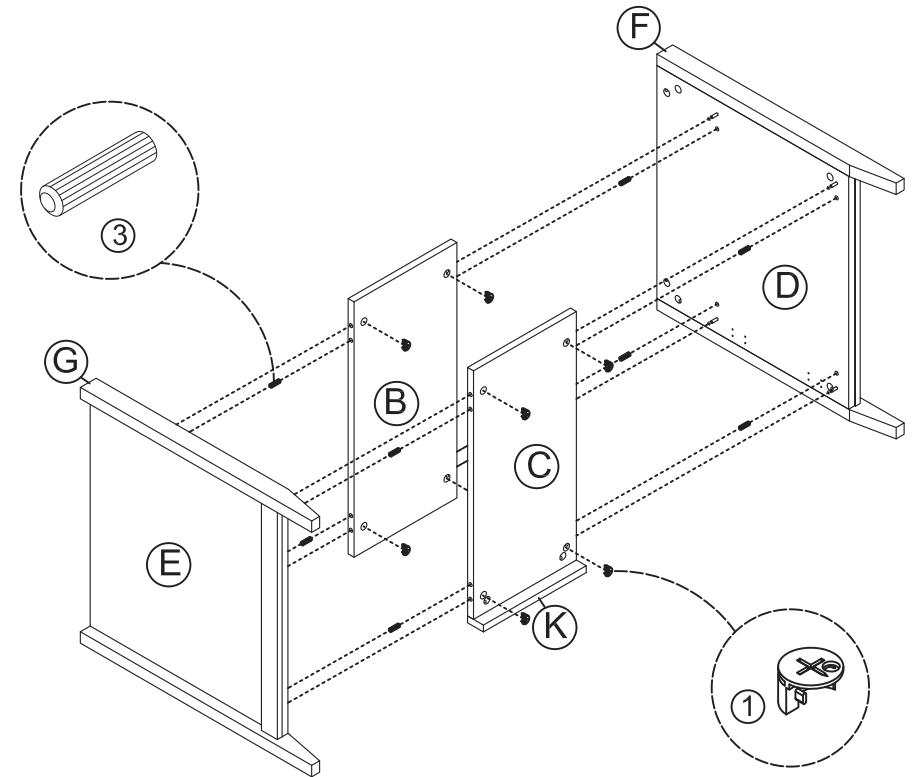
			
Ø15 × 11mm	Ø6 × 34mm	Ø8 × 30mm	
①	2PCS	②	
		③	1PC



PRODUCT ASSEMBLY

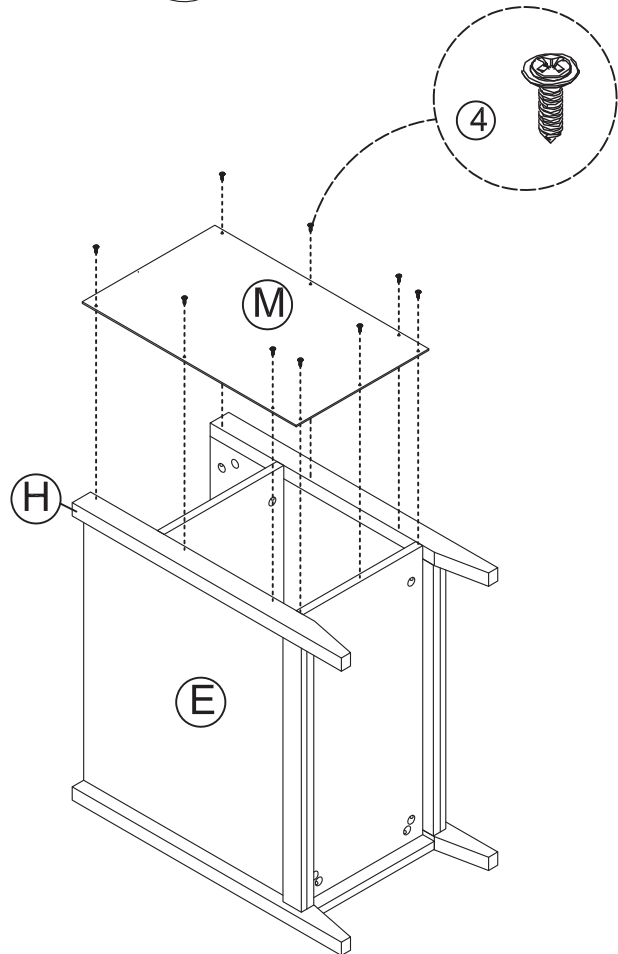
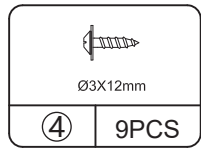
STEP 4

	
Ø15 × 11mm	Ø8 × 30mm
①	③
8PCS	8PCS



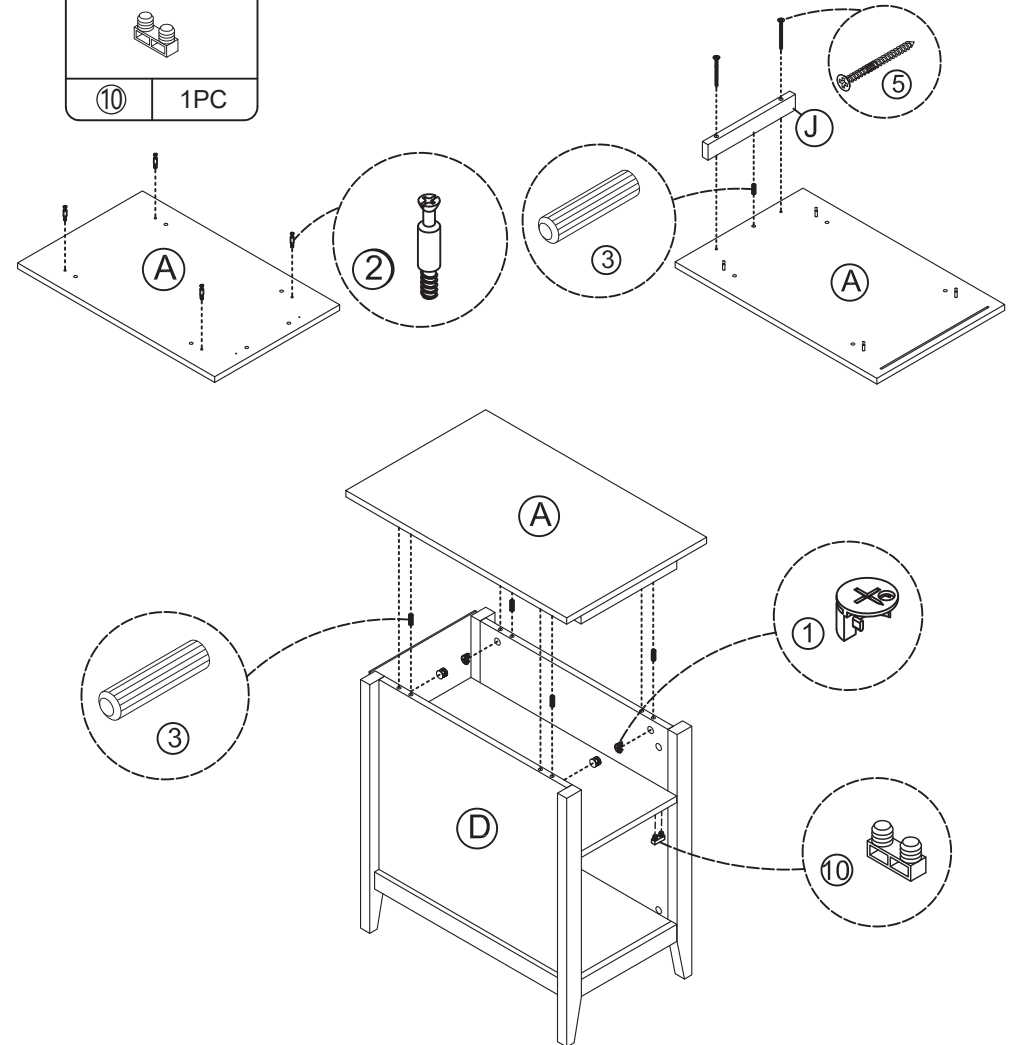
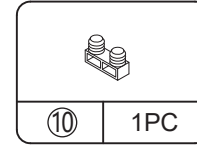
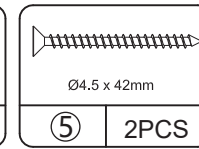
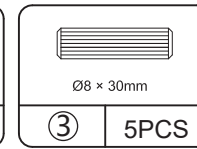
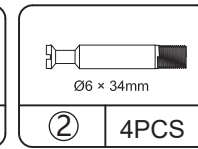
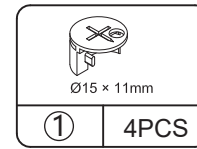
PRODUCT ASSEMBLY

STEP 5



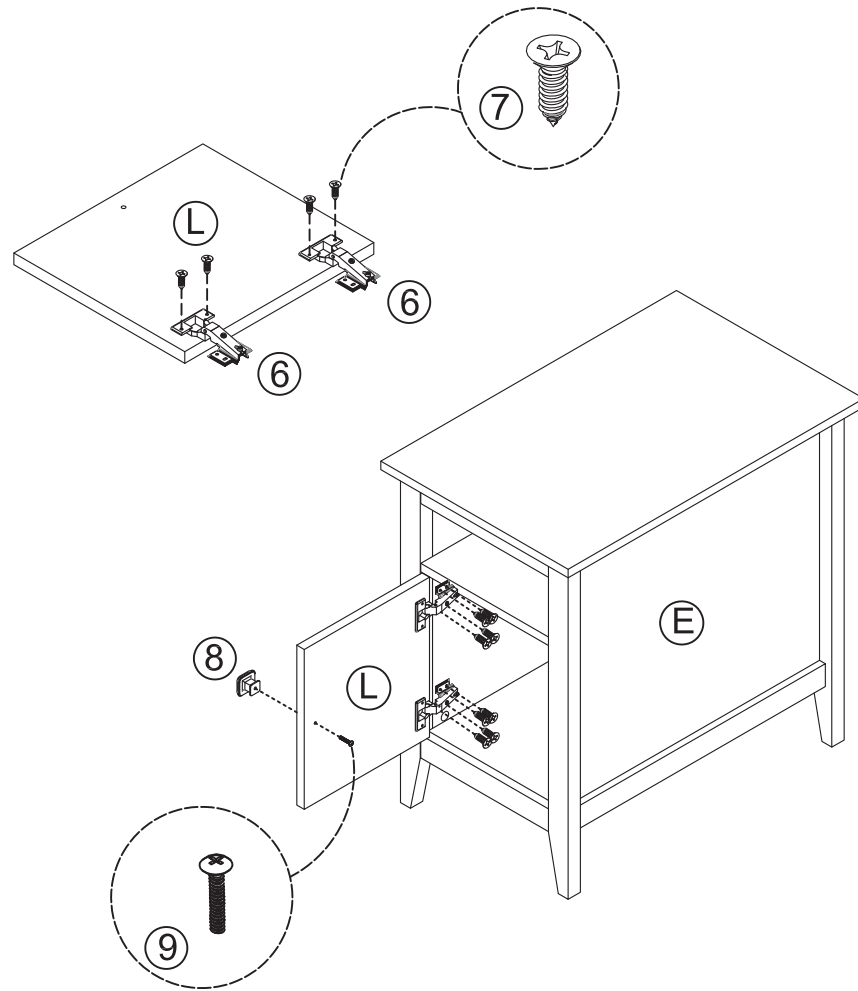
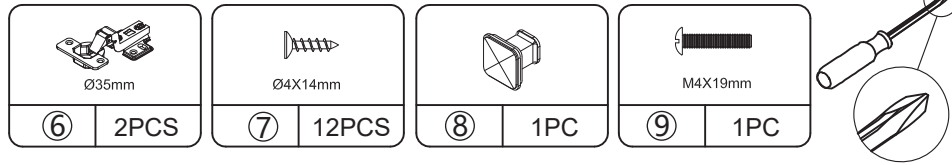
PRODUCT ASSEMBLY

STEP 6



PRODUCT ASSEMBLY

STEP 7



PRODUCT ASSEMBLY

