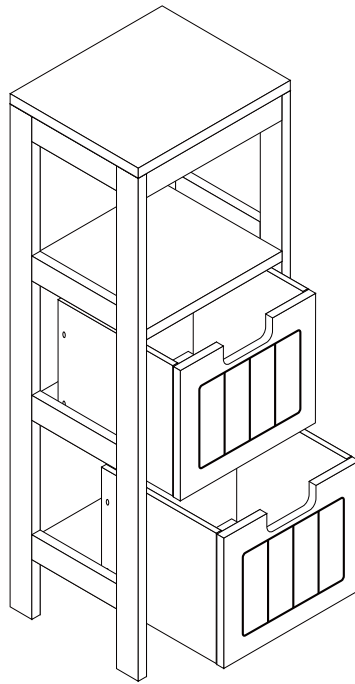


# User Manual



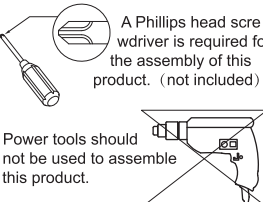
Model Number: HG61G0819

## You need


**1 Tools required**

A Phillips head screwdriver is required for the assembly of this product. (not included)


Power tools should not be used to assemble this product.



**2 1 person is needed**

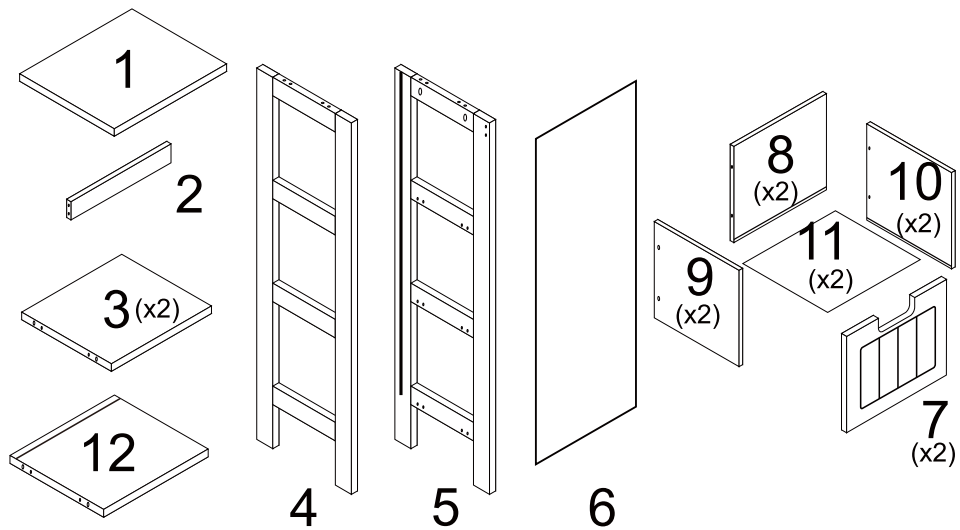


**3 Take 30 minutes**


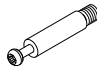
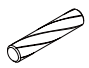



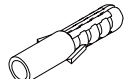



**30mins**

Technical Specifications	
Brand	JAXPETY
Material	MDF (P2)
Colour	White
Size	301X301X892MM



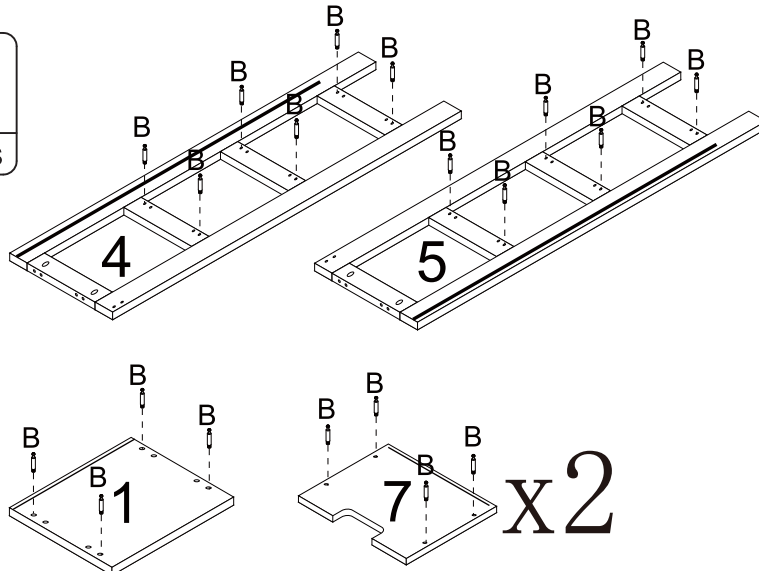
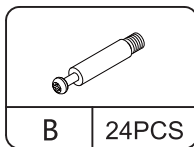
## Hardware List

			
A   24PCS	B   24PCS	C   20PCS	D   9PCS
			
E   4PCS	F   1PC	G   1PC	H   1PC

### PRODUCT ASSEMBLY

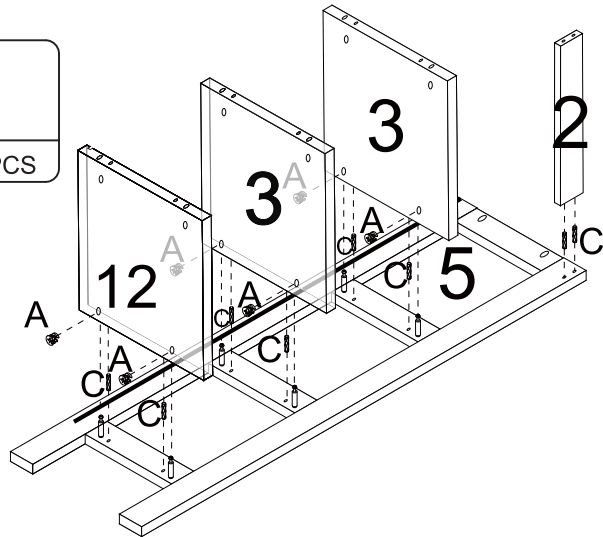
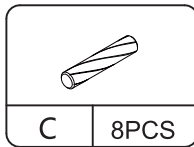
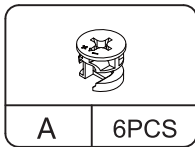
 Check the package contents before getting started !

#### STEP 1

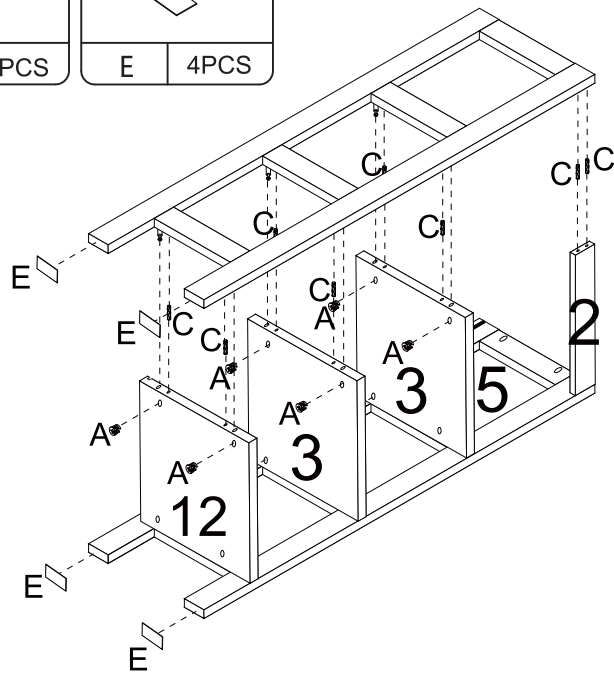
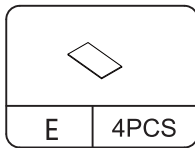
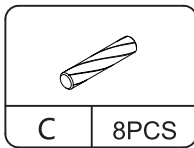
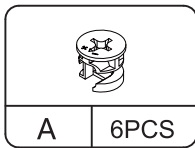


**PRODUCT ASSEMBLY**

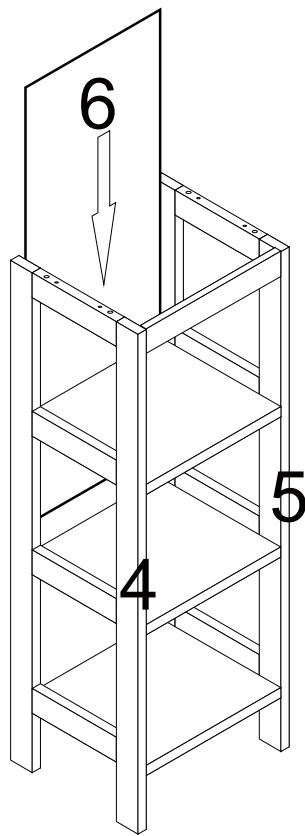
**STEP 2**



**STEP 3**

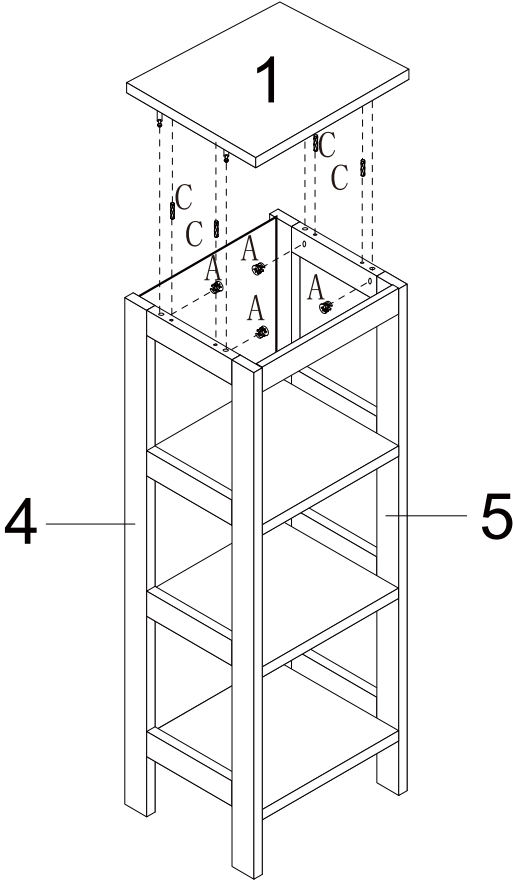
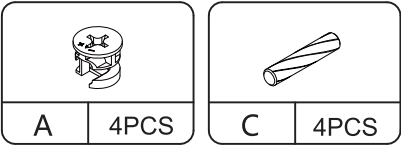


**STEP 4**



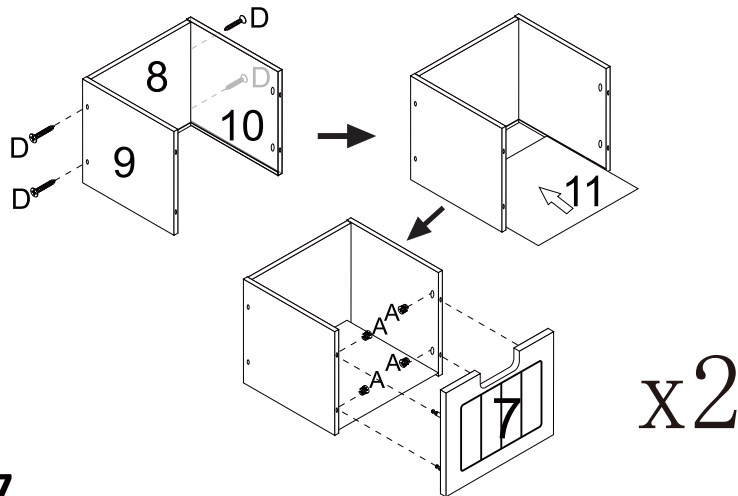
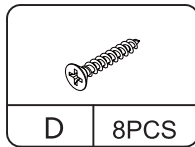
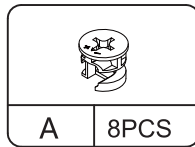
**PRODUCT ASSEMBLY**

**STEP 5**

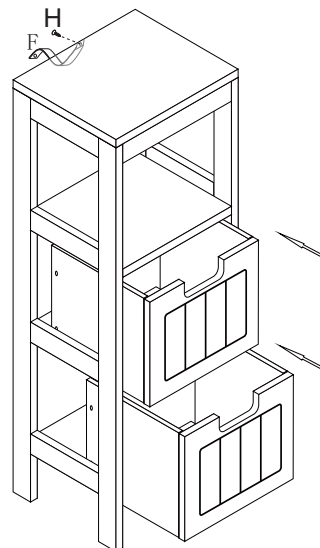
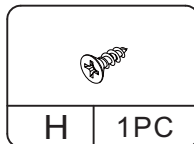
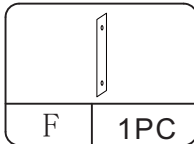


**PRODUCT ASSEMBLY**

**STEP 6**

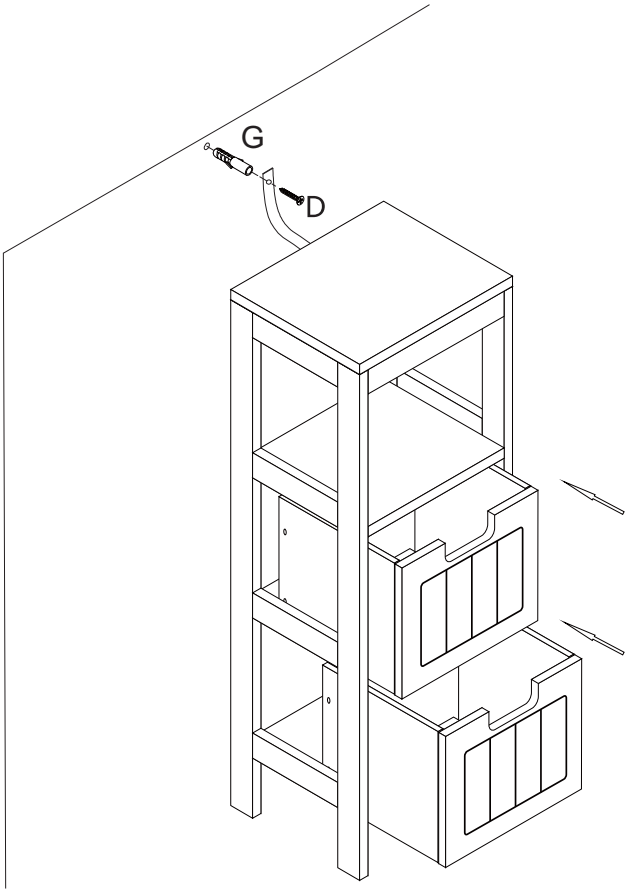
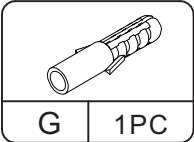
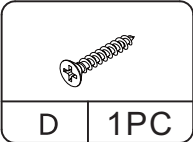


**STEP 7**



**PRODUCT ASSEMBLY**

**STEP 8**





# JAXPETY



Scan ! To find more surprise!