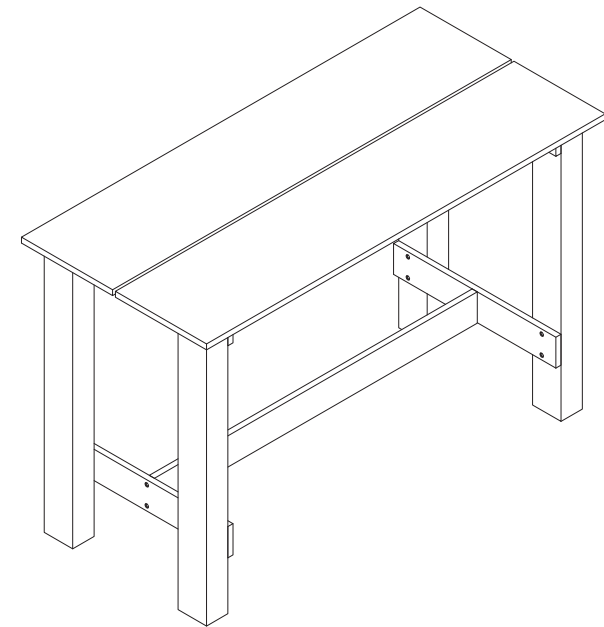


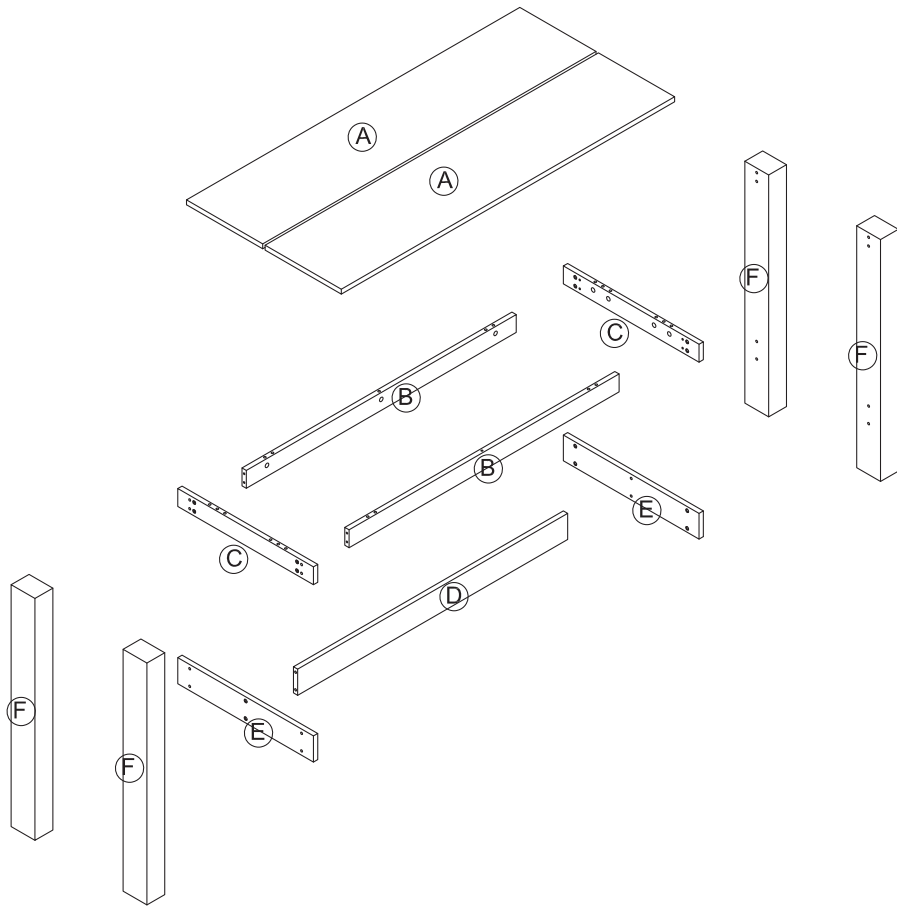
User Manual

JAXPETY

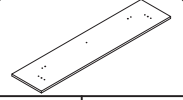
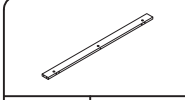
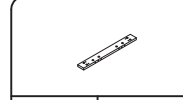
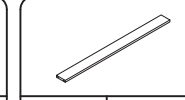
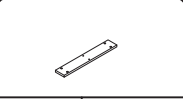
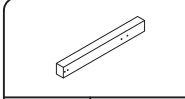
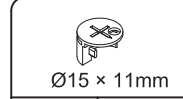
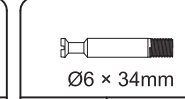
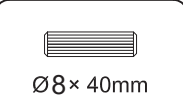

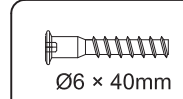
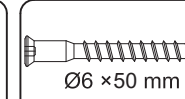

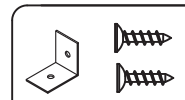


Model Number: HG61G0963

JAXPETY



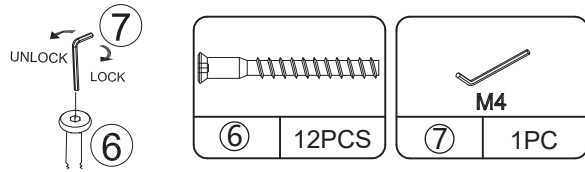
Hardware List

			
A 2PCS	B 2PCS	C 2PCS	D 1PC
			
E 2PCS	F 4PCS	① 14PCS	② 14PCS
			
③ 12PCS	④ 16PCS	⑤ 16PCS	⑥ 12PCS
			
⑦ 1PC	⑧ X4		

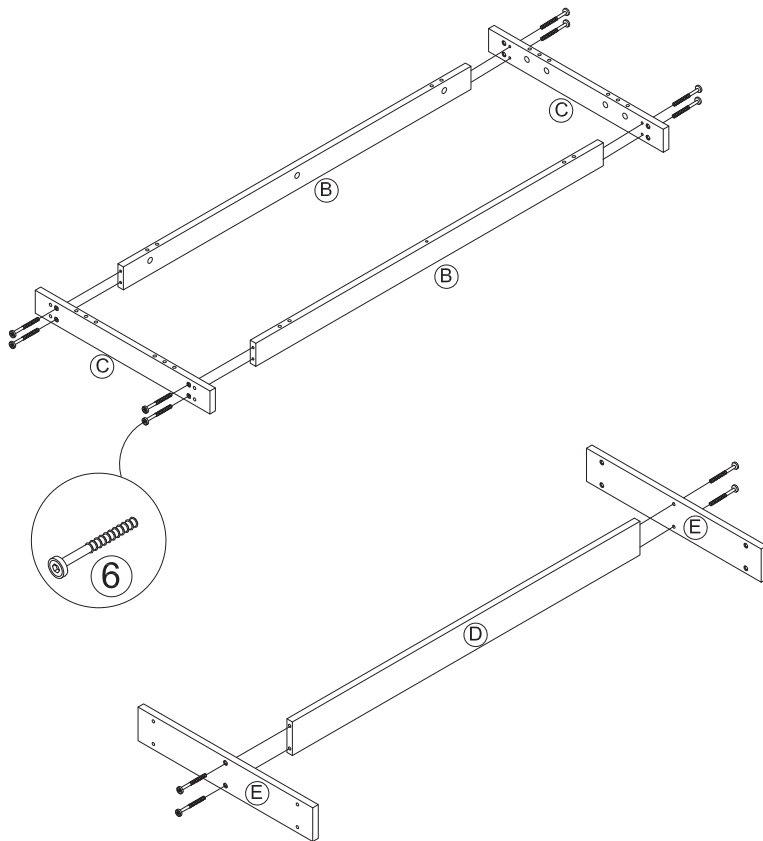
PRODUCT ASSEMBLY

! Check the package contents before getting started !

STEP 1

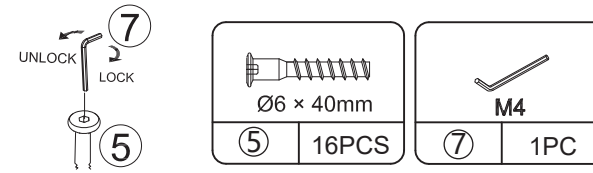


Fix the C part to the B part with the hardware ⑥.
Fix the E part to the D part with the hardware ⑥.

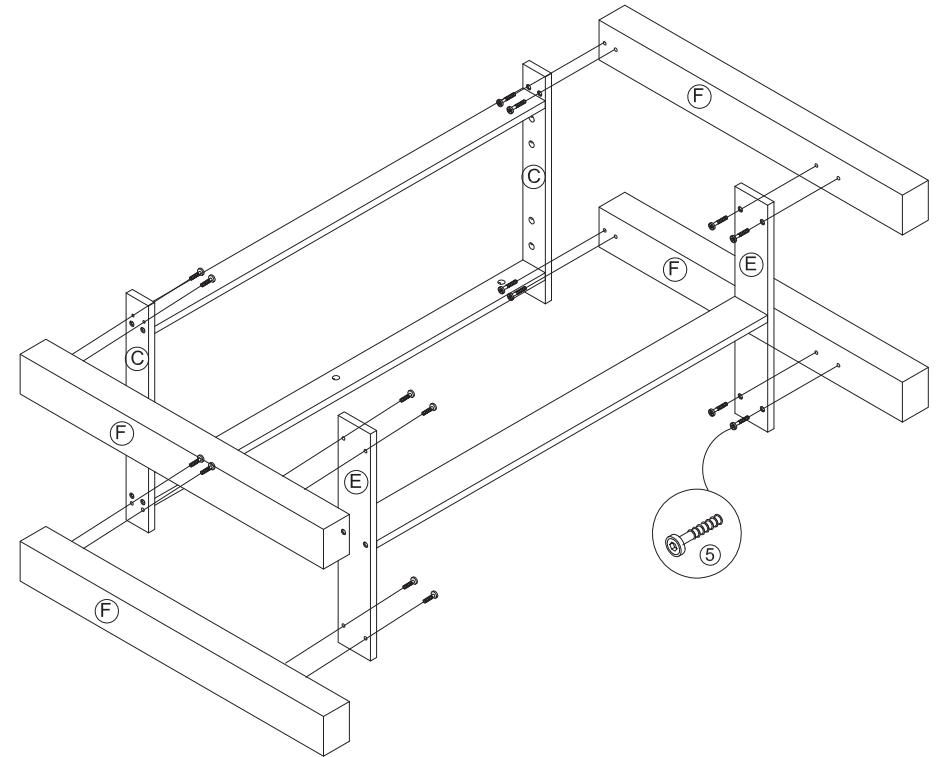


PRODUCT ASSEMBLY

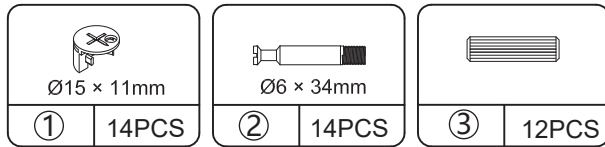
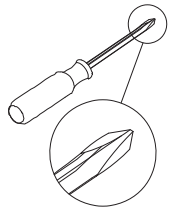
STEP 2



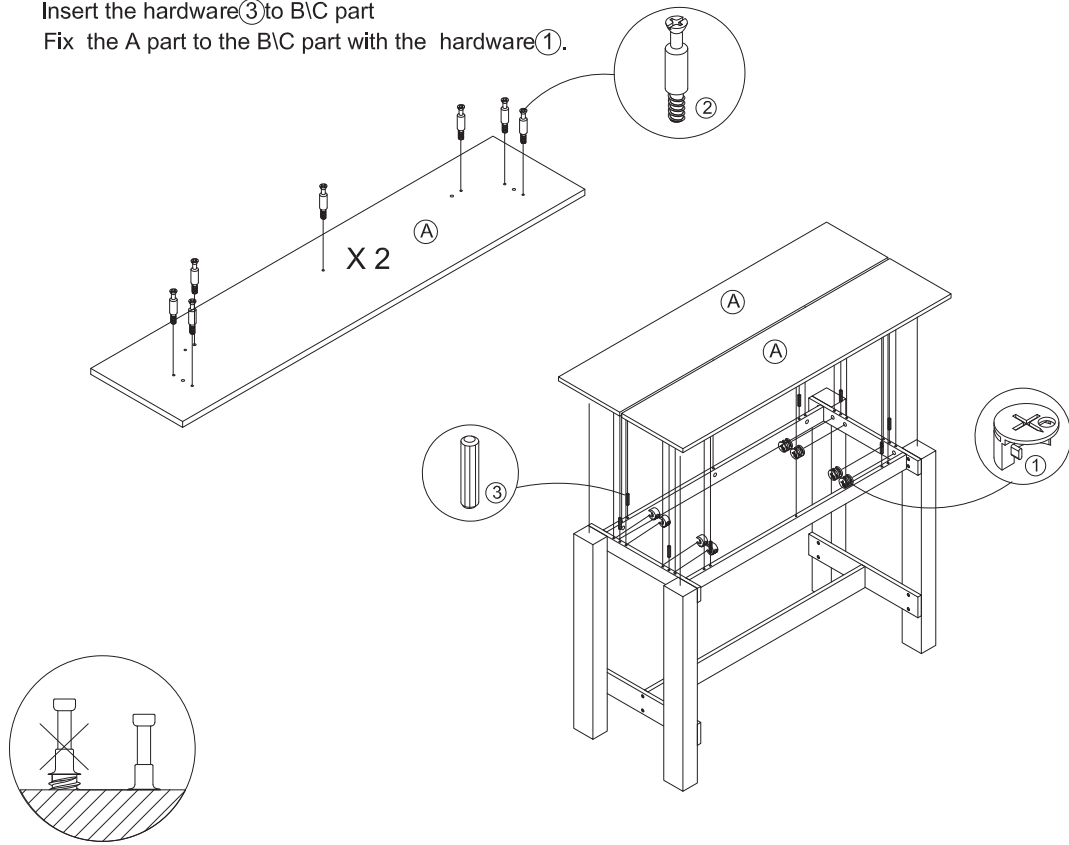
Fix the F part to the C/E part with the hardware ⑤.



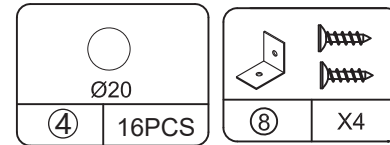
STEP 3



Insert the hardware ② to A part
 Insert the hardware ③ to B\C part
 Fix the A part to the B\C part with the hardware ①.



STEP 4



Insert the hardware ④ to C\E part

