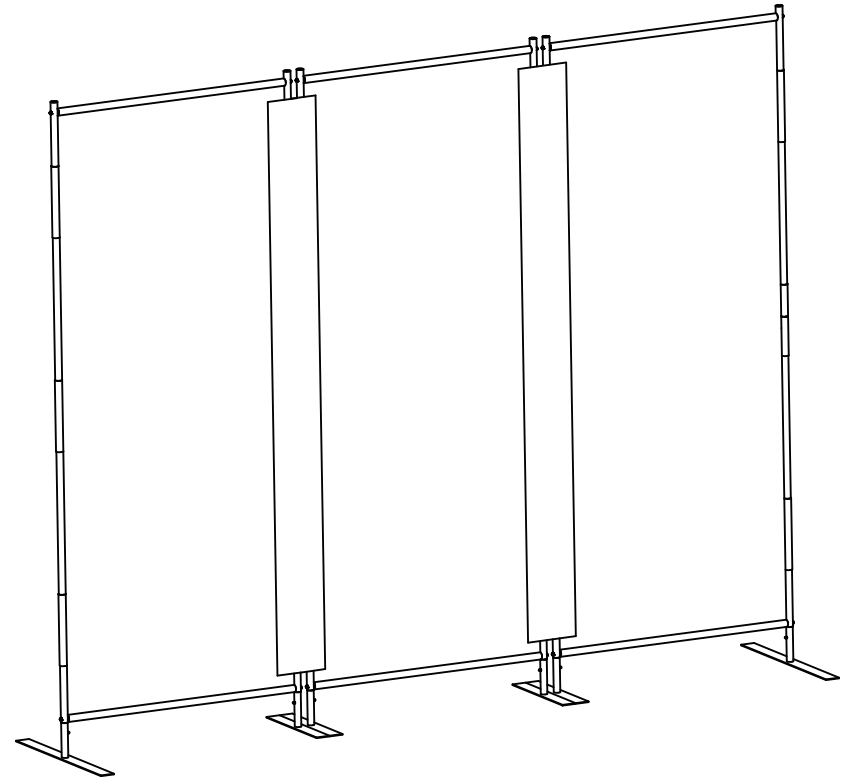


User Manual

JAXSUNNY



Model Number: HGP0681

JAXSUNNY

Dear Customer,

Thank you for your purchase.
 JAXSUNNY is committed to providing affordable high-quality furniture worldwide.
 Each piece is made with the respect for human and the environment.
 Thousands of families use JAXSUNNY products as a home fashion.

When you receive the product, please make sure that all the parts are intact.
 Then please browse the entire installation manual before assembly.
 If problems occur unsatisfactorily as follows:

- a.The outer box is damaged.**
- b.The product is damaged / bent / cracked while you open the box.**
- c.The parts / accessories / assembly tools are missing.**
- d.The product is hard to assemble.**
- e.The instructions are not clear and can not be referred to.**
- f.The product has functional problems.**
- g.Other aspects that you are not satisfied with.**

Please do not hesitate to contact us for help (Be sure to mark the **SKU NUMBER**, e.g., HG91S0320, and the **TRACKING NUMBER**).
 Our JAXSUNNY team with factory direct after-sales service will reply within 24 hours and will do our best to resolve the problem for you. Our services are available at any time.

Sincerely,
 JAXSUNNY Team



You need

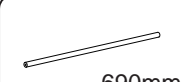
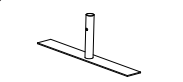
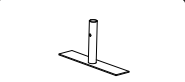
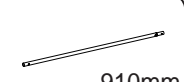
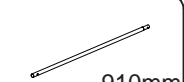

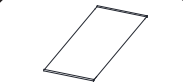


① Tools required

A Phillips head screwdriver is required for the assembly of this product. (not included)

Power tools should not be used to assemble this product.

② 2 persons are needed

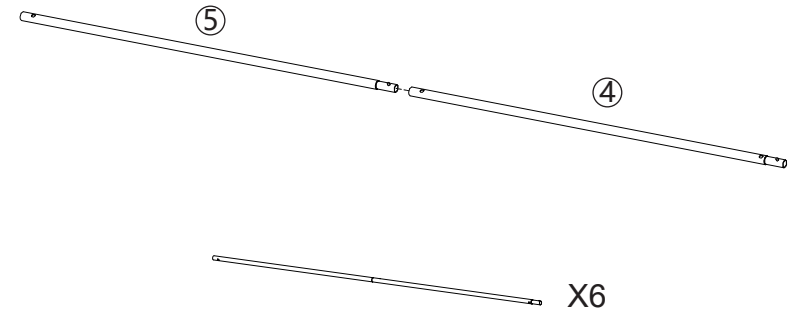
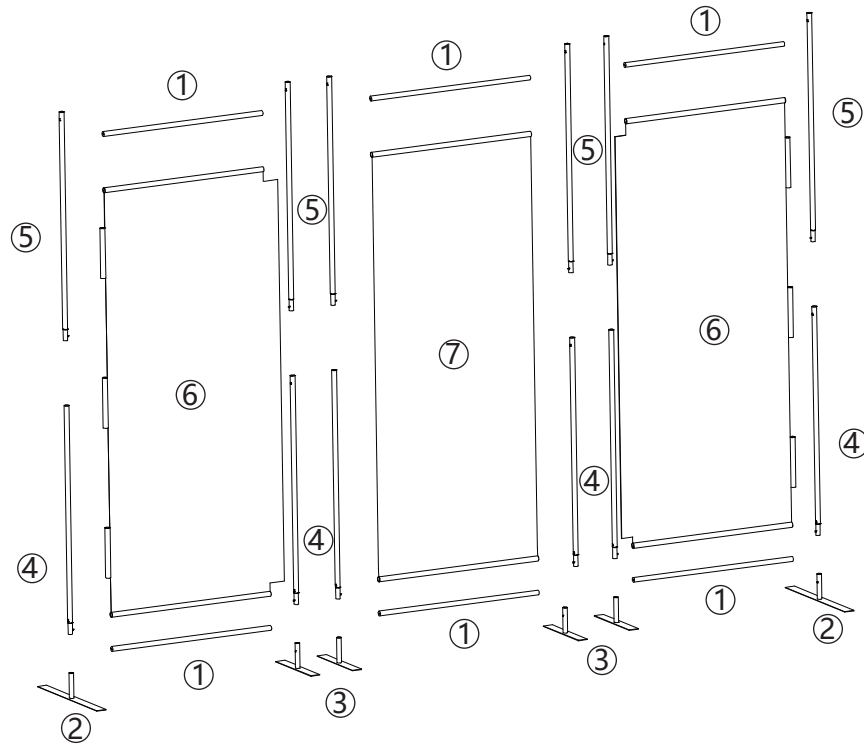
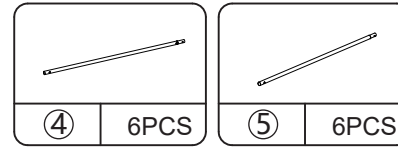
Hardware List

 690mm ① 6PCS	 ② 2PCS	 ③ 4PCS	 910mm ④ 6PCS	 910mm ⑤ 6PCS
 ⑥ 2PCS	 ⑦ 1PC	 M6x30mm A 12PCS	 B 1PC	

PRODUCT ASSEMBLY

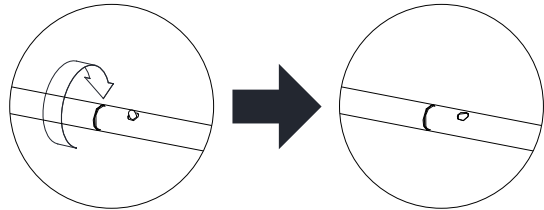
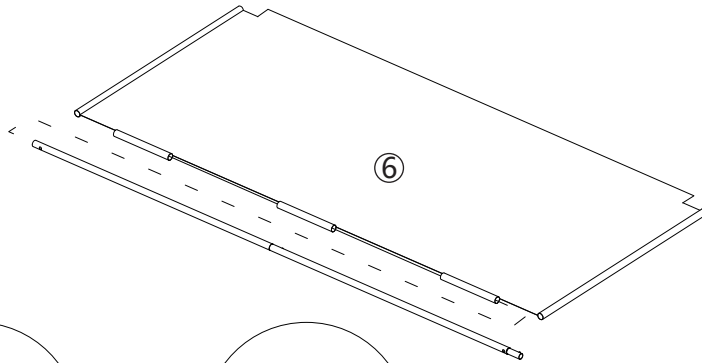
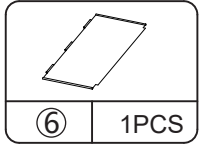
! Check the package contents before getting started !

STEP 1

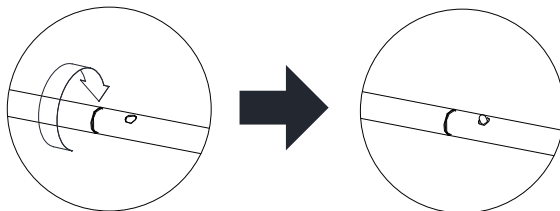
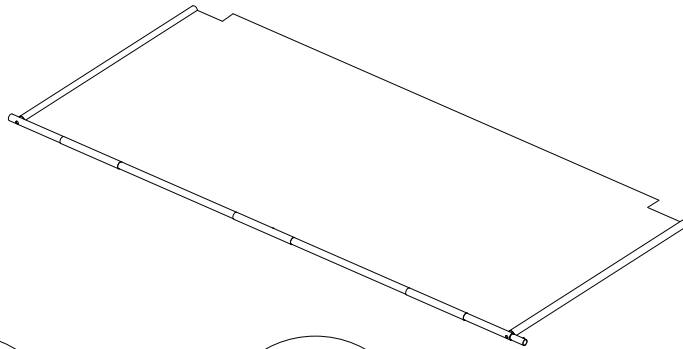


PRODUCT ASSEMBLY

STEP 2



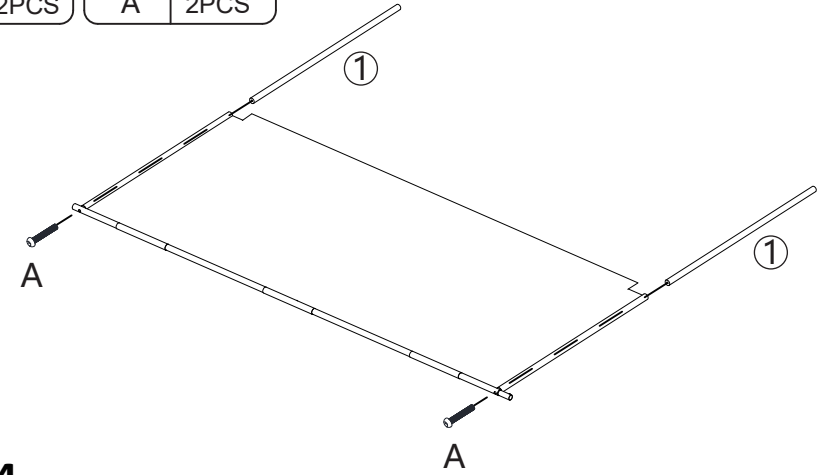
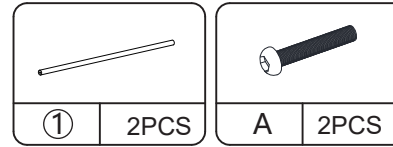
Rotate the rod to keep it not protruding when inserting it



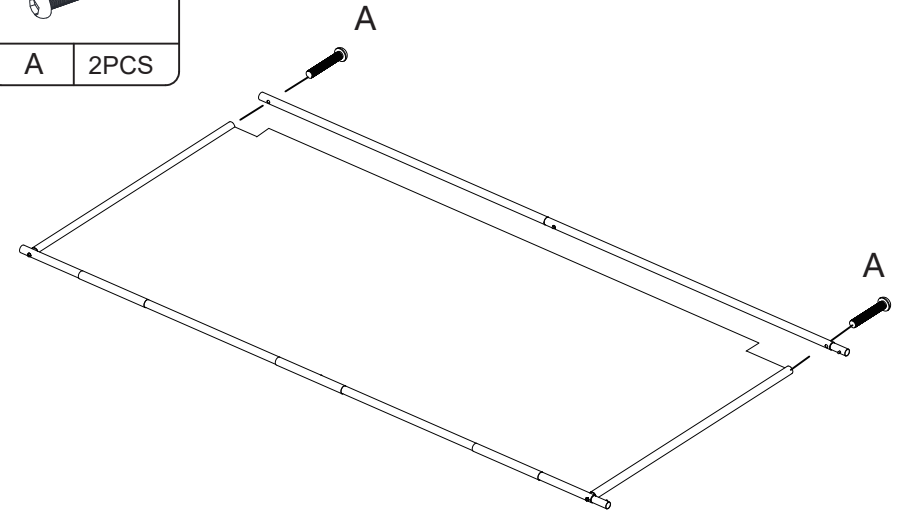
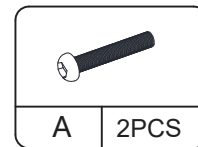
After insertion, return the buckle to its position

PRODUCT ASSEMBLY

STEP 3



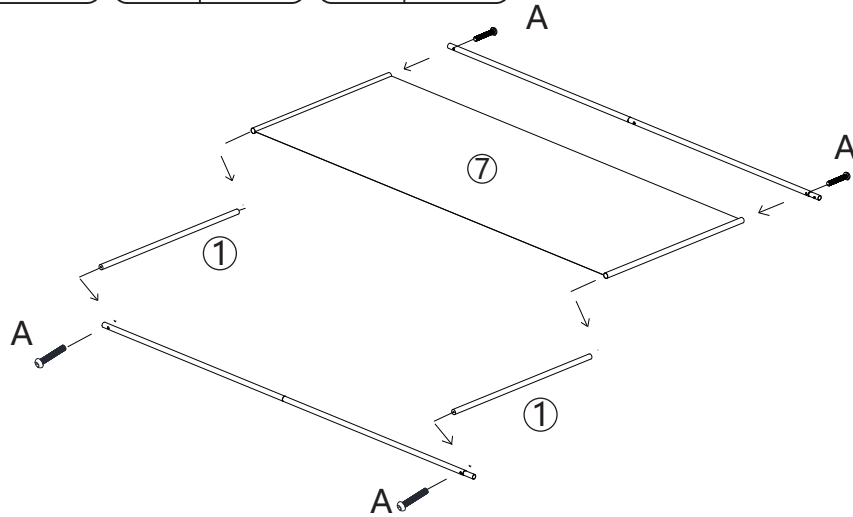
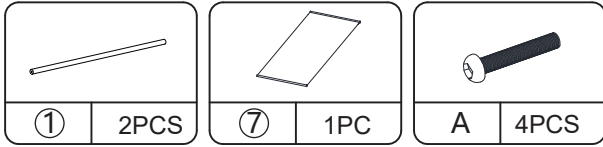
STEP 4



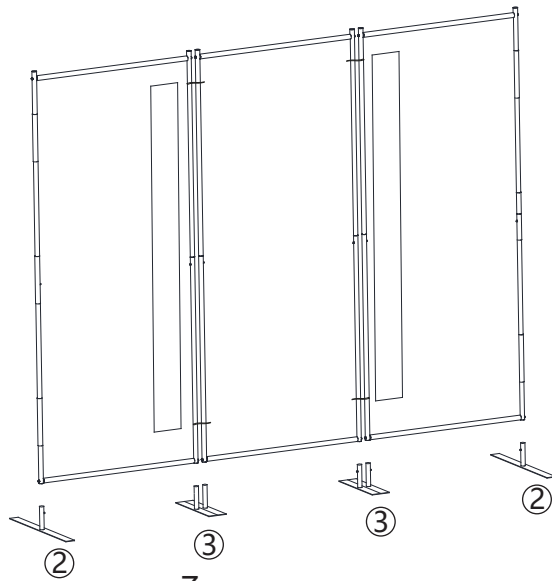
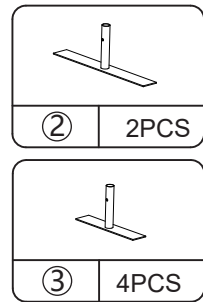
Step 2- Step 3 Repeat

PRODUCT ASSEMBLY

STEP 5

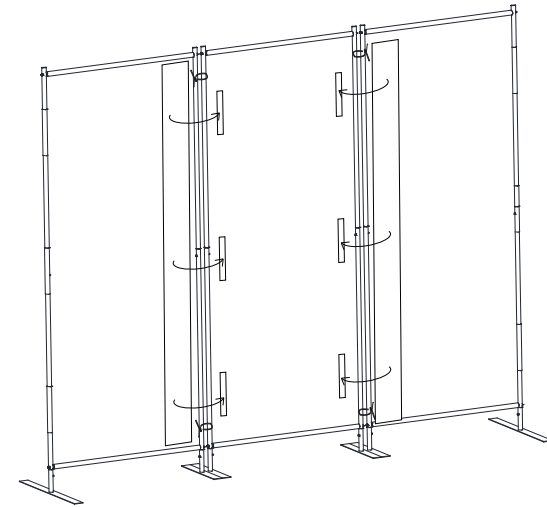


STEP 6



PRODUCT ASSEMBLY

STEP 7



Secure the two adjacent pillars with straps, Then cover it with Velcro

STEP 8

