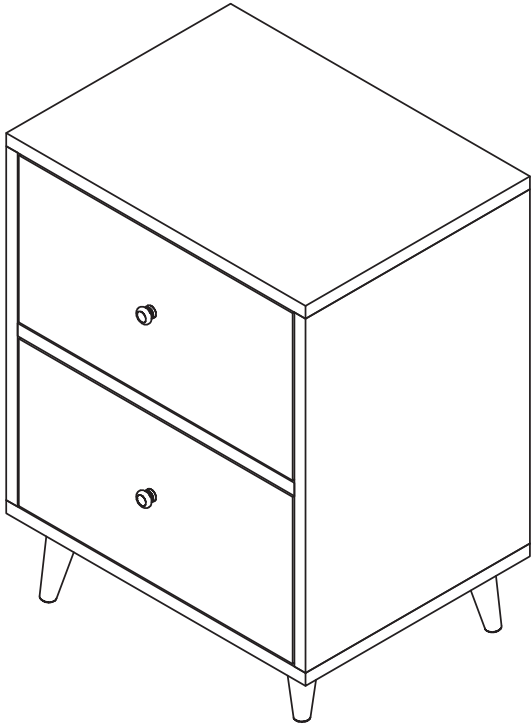


User Manual

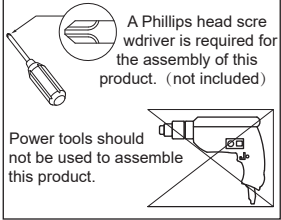
JAXPETY



JAXPETY

You need

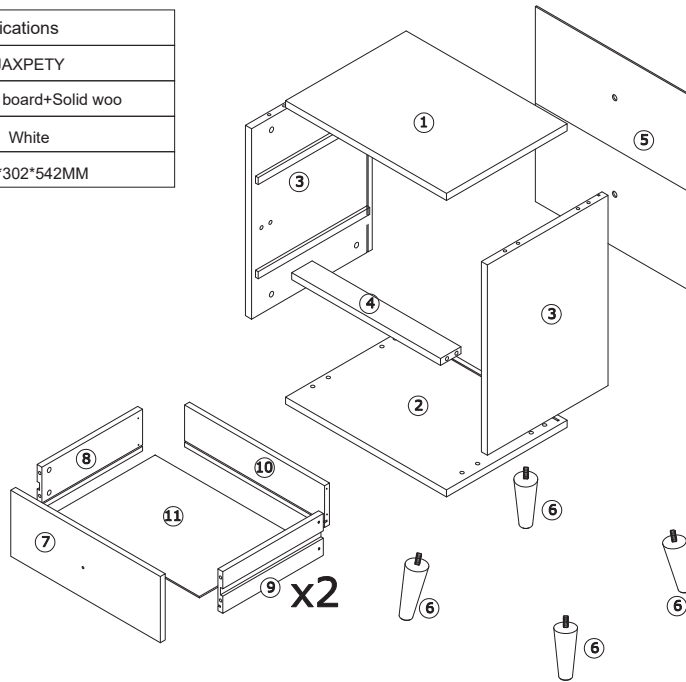
1 Tools required



2 1 person is needed



Technical Specifications	
Brand	JAXPETY
Material	Triamine board+Solid woo
Colour	White
Size	402*302*542MM



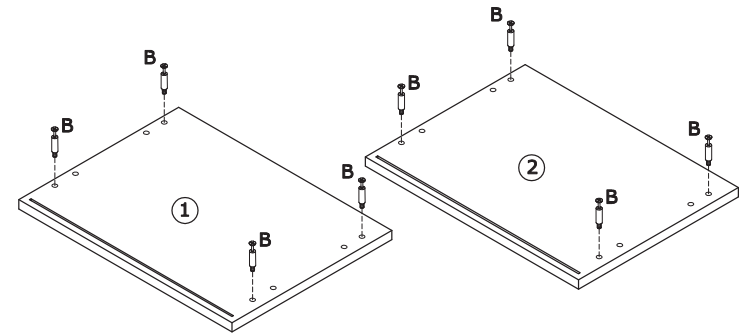
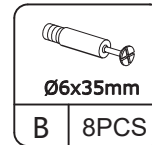
Hardware List

Ø15x9mm	Ø6x35mm	M3x30mm	Ø8x30mm	M4x18mm	
A 18PCS	B 18PCS	C 8PCS	D 10PCS	E 2PCS	F 2PCS

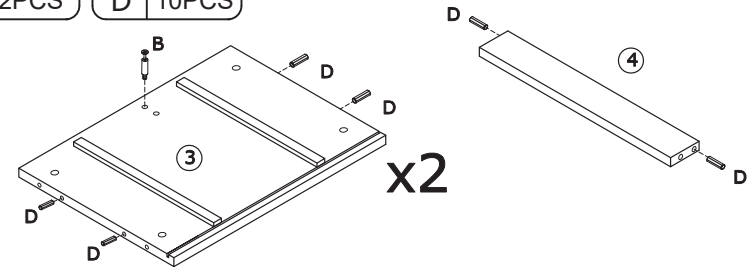
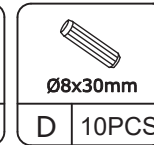
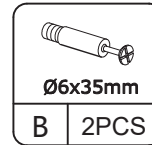
PRODUCT ASSEMBLY

! Check the package contents before getting started !

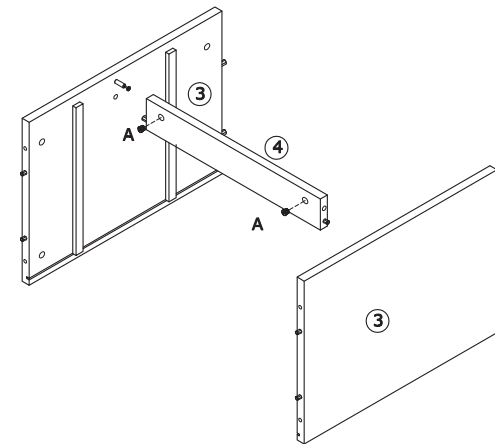
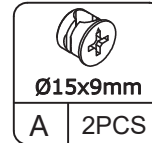
STEP 1



STEP 2

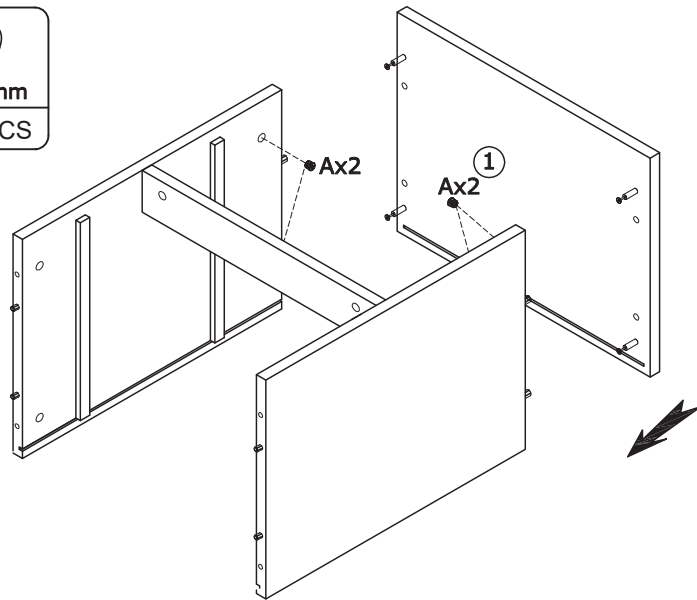
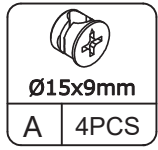


STEP 3

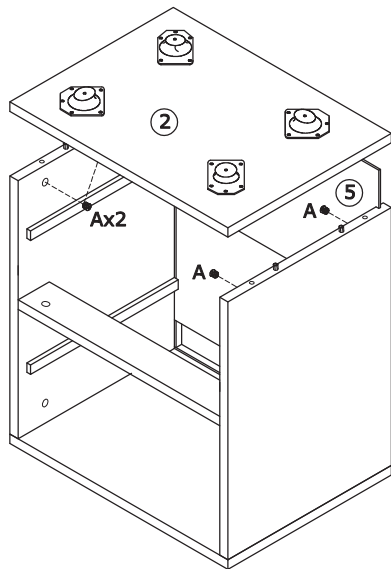


PRODUCT ASSEMBLY

STEP 4

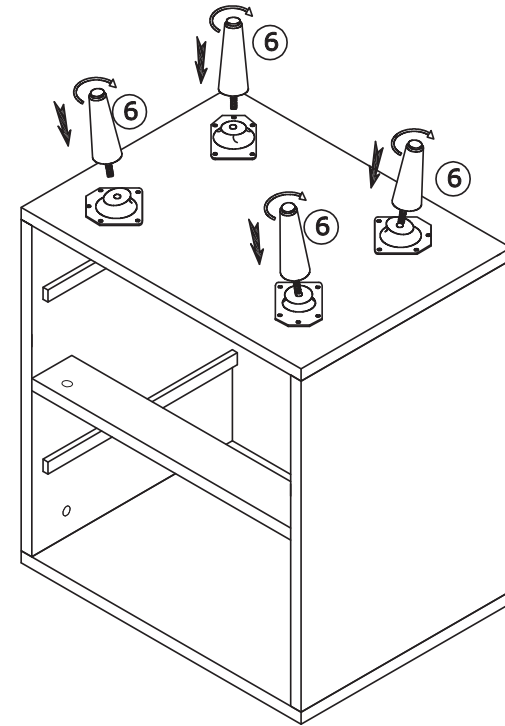


STEP 5

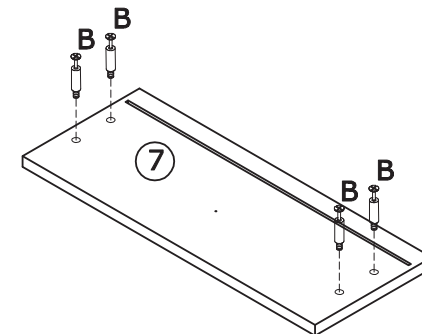
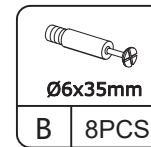


PRODUCT ASSEMBLY

STEP 6



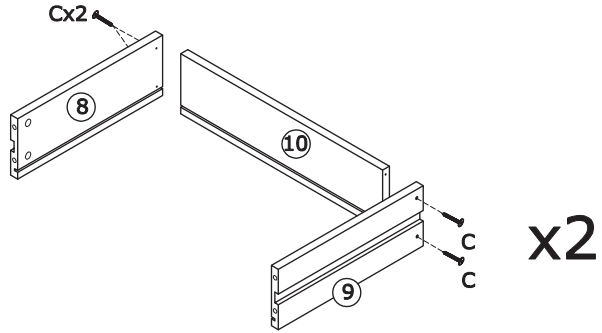
STEP 7



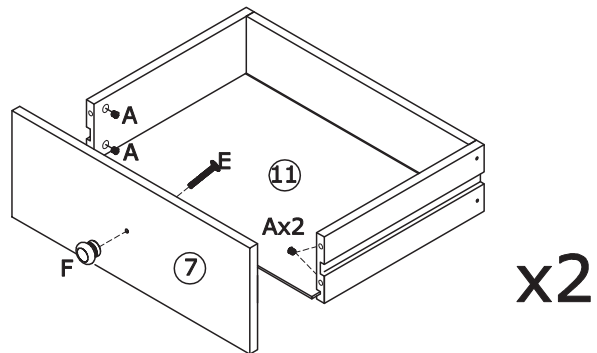
x2

PRODUCT ASSEMBLY

STEP 8



STEP 9



PRODUCT ASSEMBLY

STEP 10

