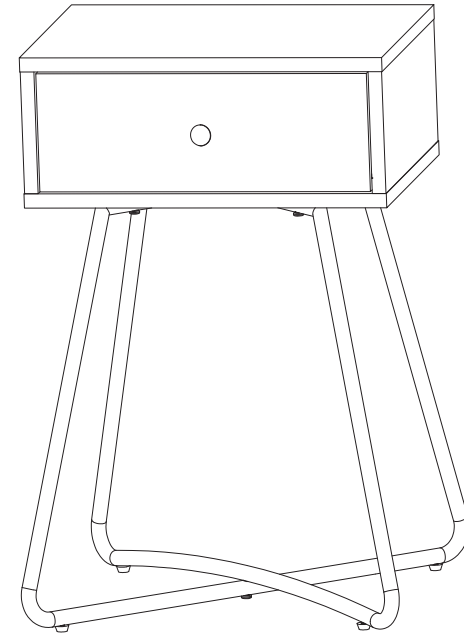


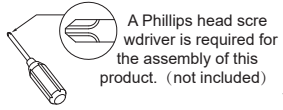
User Manual

JAXPETY



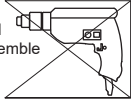
You need

① Tools required

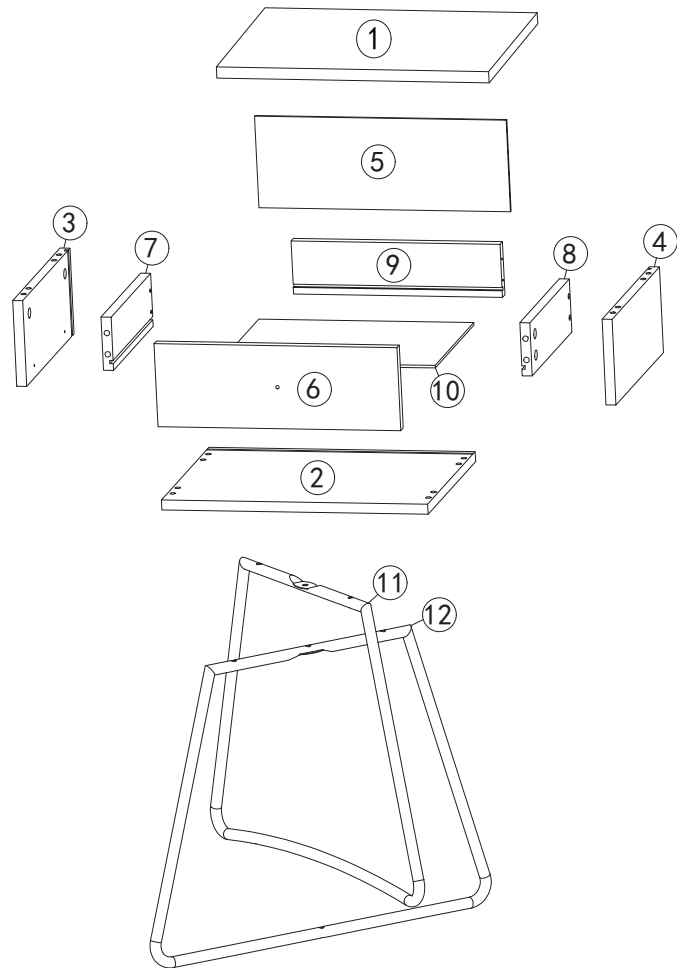


A Phillips head screwdriver is required for the assembly of this product. (not included)

Power tools should not be used to assemble this product.



② 1 person is needed



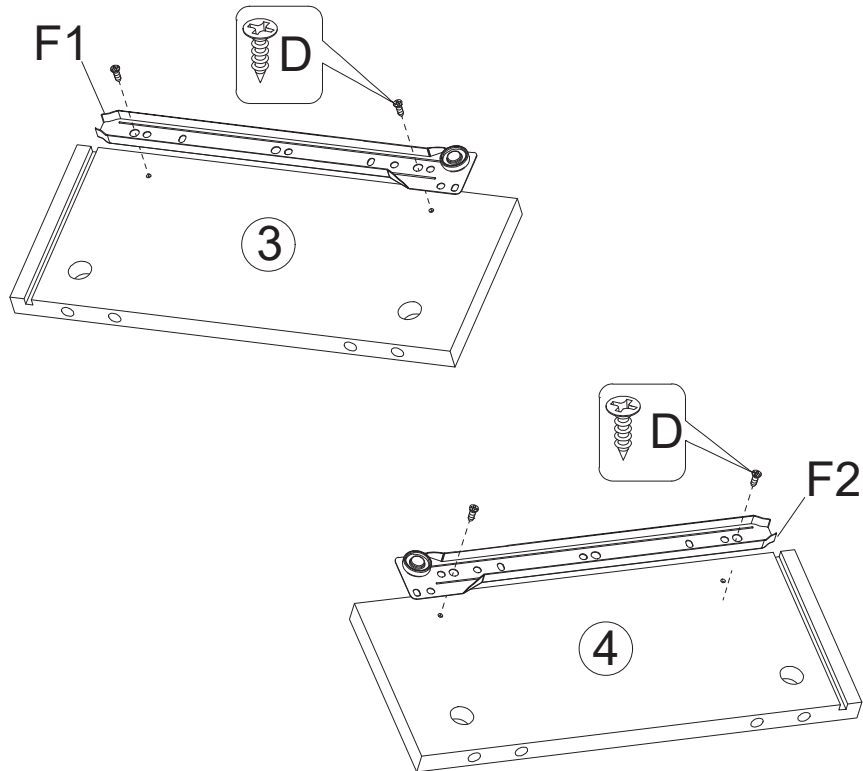
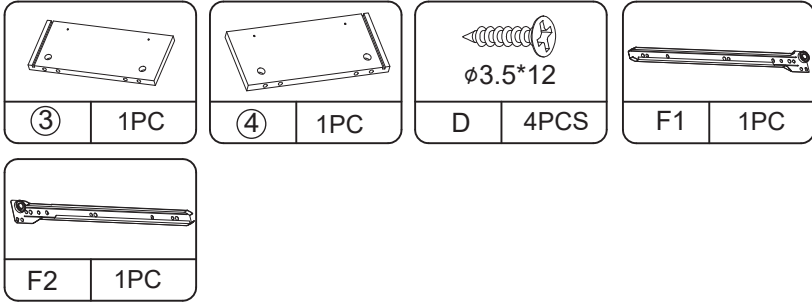
Hardware List

A 8PCS	B 8PCS	C 8PCS	D 8PCS
E 4PCS	F1 1PC	F2 1PC	G1 1PC
G2 1PC	H 4PCS	I 4PCS	J 1PC
K 1PC	L 1PC	M 6PCS	① 1PC
② 1PC	③ 1PC	④ 1PC	⑤ 1PC
⑥ 1PC	⑦ 1PC	⑧ 1PC	⑨ 1PC
⑩ 1PC	⑪ 1PC	⑫ 1PC	

PRODUCT ASSEMBLY

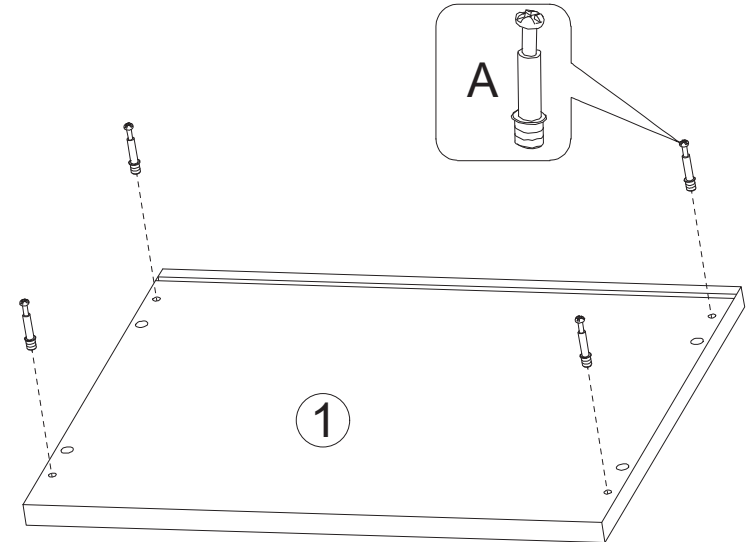
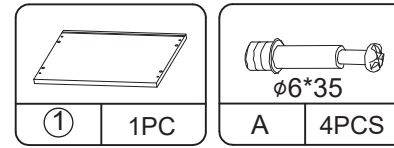
! Check the package contents before getting started !

STEP 1





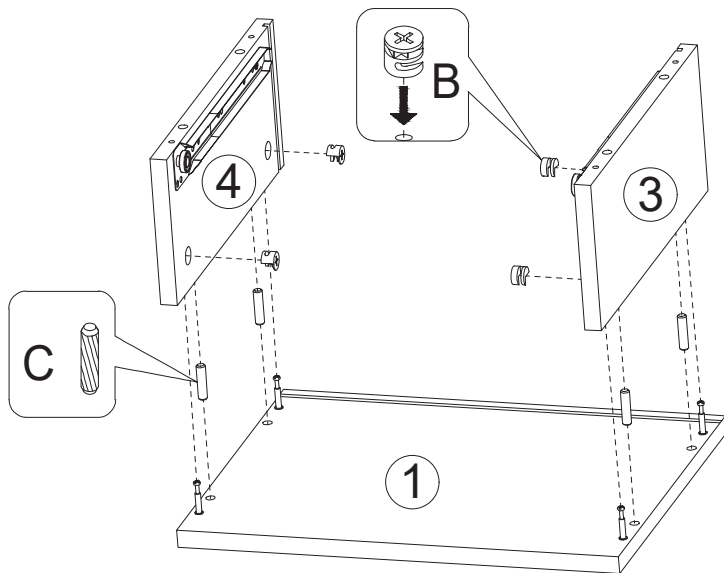
PRODUCT ASSEMBLY

STEP 2

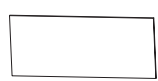


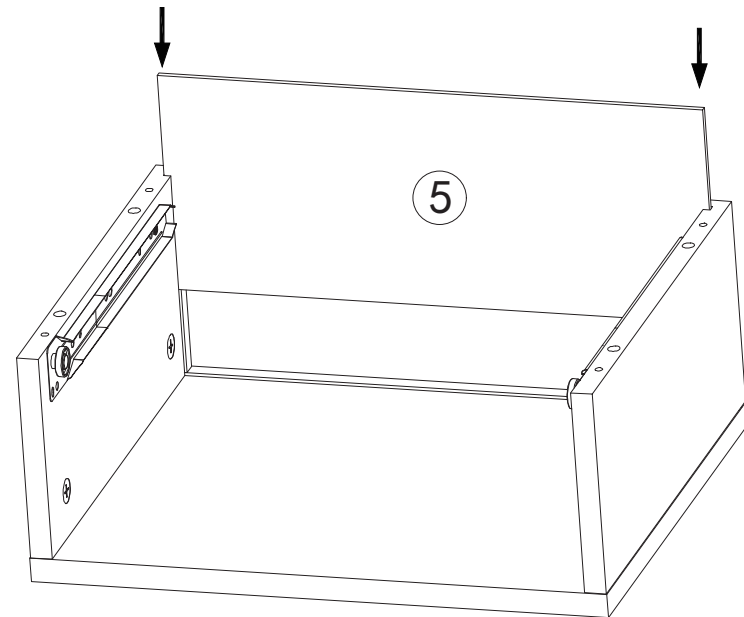
STEP 3

 φ15*12		 φ8*30	
B	4PCS	C	4PCS

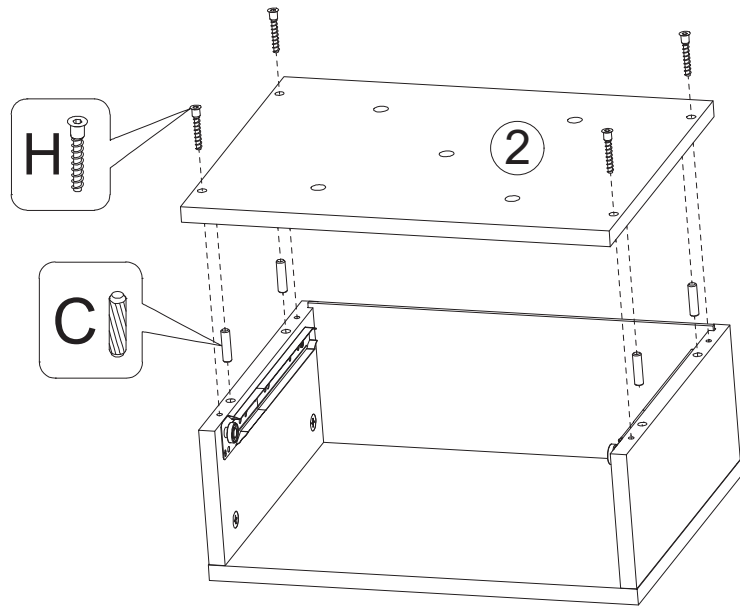
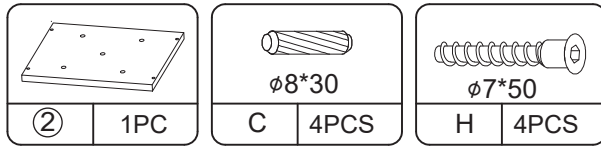


STEP 4

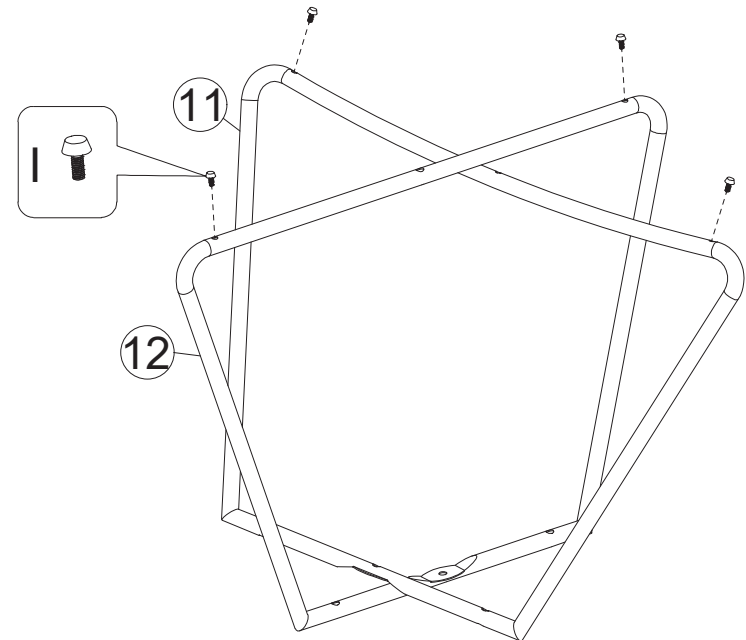
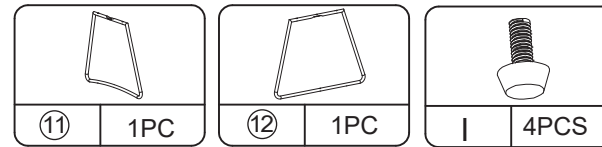
	
⑤	1PC



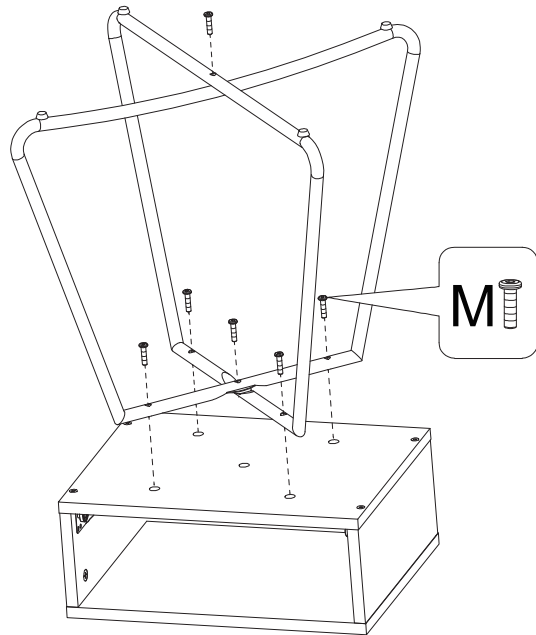
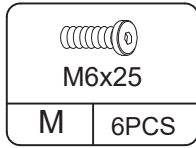
STEP 5



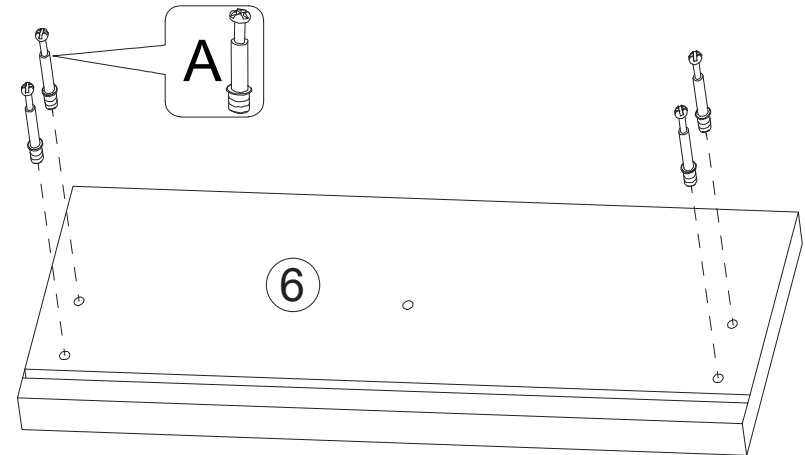
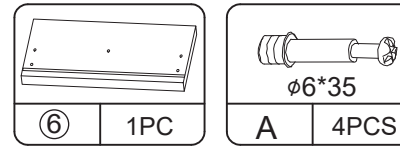
STEP 6



STEP 7

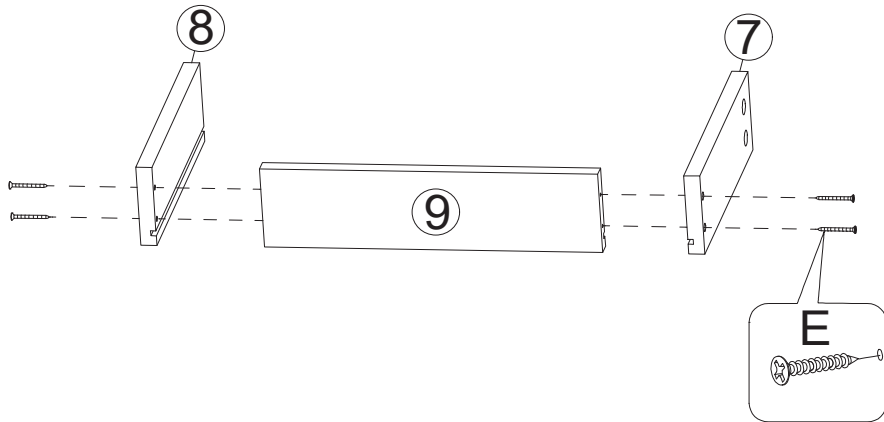
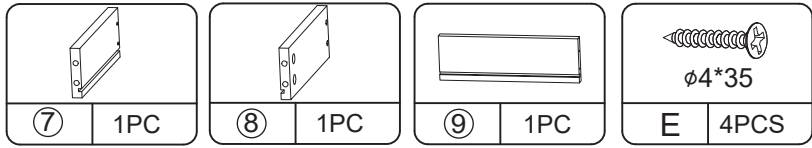


STEP 8



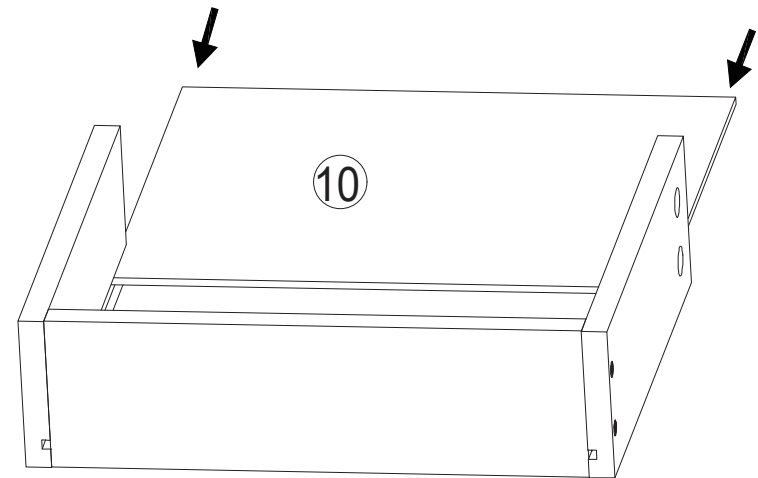
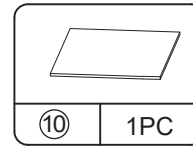
PRODUCT ASSEMBLY

STEP 9



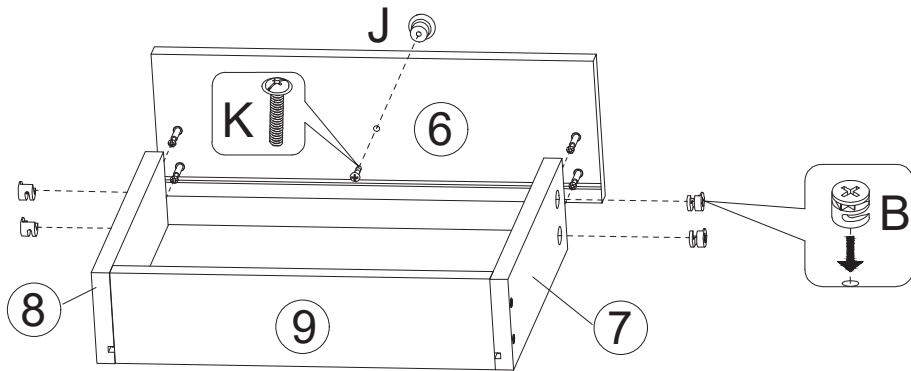
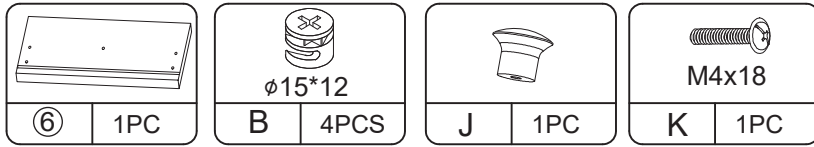
PRODUCT ASSEMBLY

STEP 10



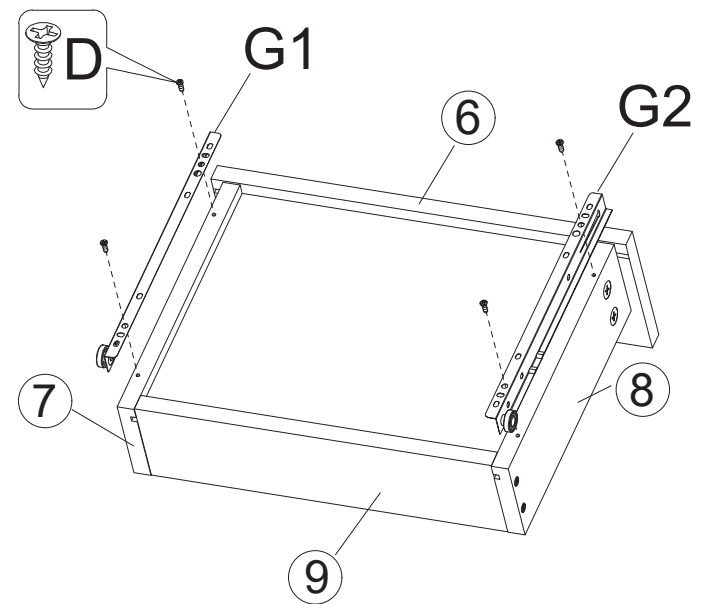
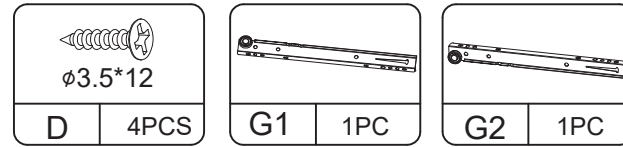
PRODUCT ASSEMBLY

STEP 11

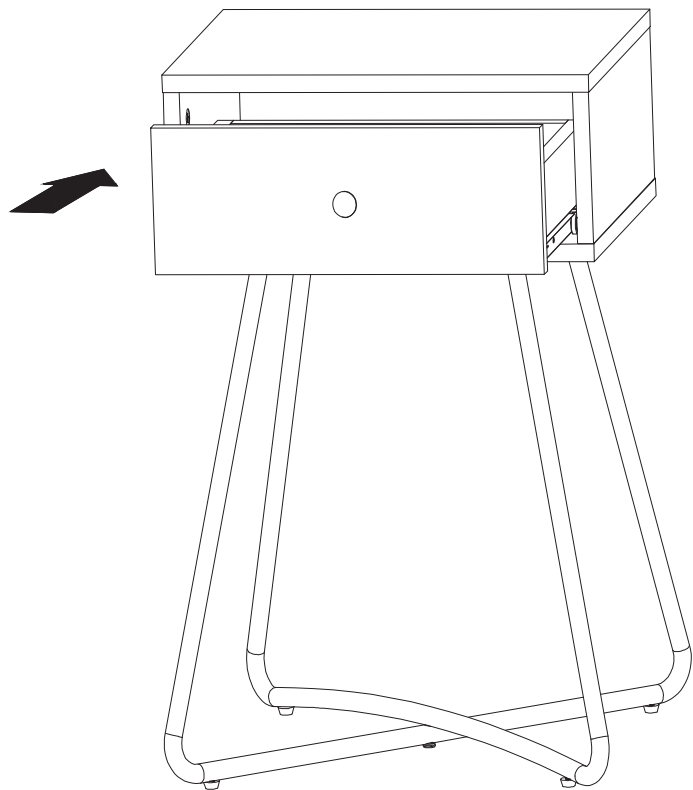


PRODUCT ASSEMBLY

STEP 12



STEP 13



STEP 14

