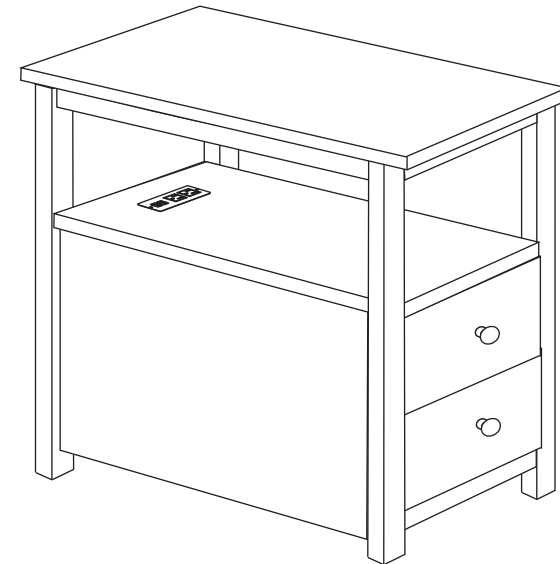


User Manual

JAXSUNNY



Model Number: HG61Y1138
HG61K1253
HG61L1254

JAXSUNNY

Dear Customer,

Thank you for your purchase.
 JAXSUNNY is committed to providing affordable high-quality furniture worldwide.
 Each piece is made with the respect for human and the environment.
 Thousands of families use JAXSUNNY products as a home fashion.

When you receive the product, please make sure that all the parts are intact.
 Then please browse the entire installation manual before assembly.
 If problems occur unsatisfactorily as follows:

- a. The outer box is damaged.**
- b. The product is damaged / bent / cracked while you open the box.**
- c. The parts / accessories / assembly tools are missing.**
- d. The product is hard to assemble.**
- e. The instructions are not clear and can not be referred to.**
- f. The product has functional problems.**
- g. Other aspects that you are not satisfied with.**

Please do not hesitate to contact us for help (Be sure to mark the **SKU NUMBER**, e.g., HG91S0320, and the **TRACKING NUMBER**).
 Our JAXSUNNY team with factory direct after-sales service will reply within 24 hours and will do our best to resolve the problem for you. Our services are available at any time.

Sincerely,
 JAXSUNNY Team



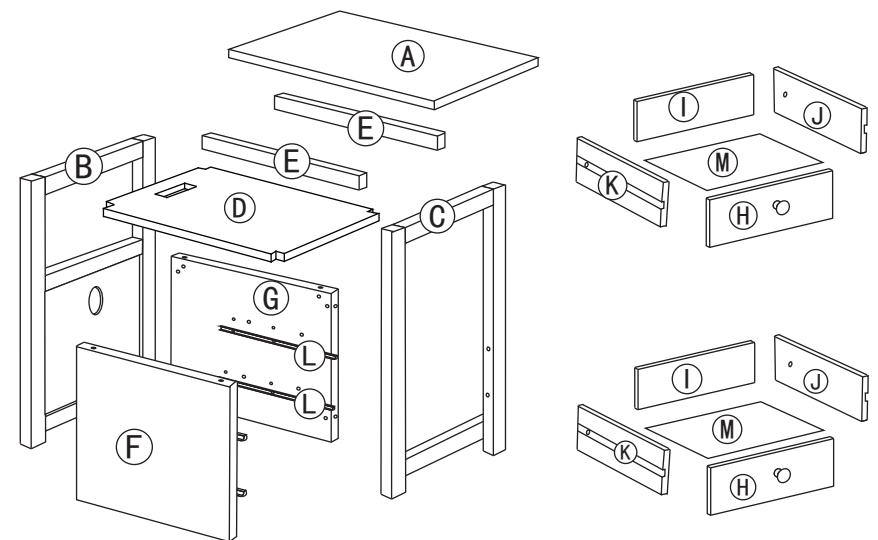
You need

1 Tools required

A Phillips head screwdriver is required for the assembly of this product. (not included)


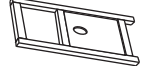

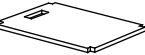

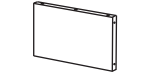
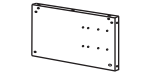


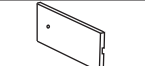
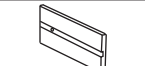
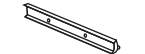
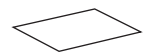










Power tools should not be used to assemble this product.

2 1 person is needed



PRODUCT ASSEMBLY

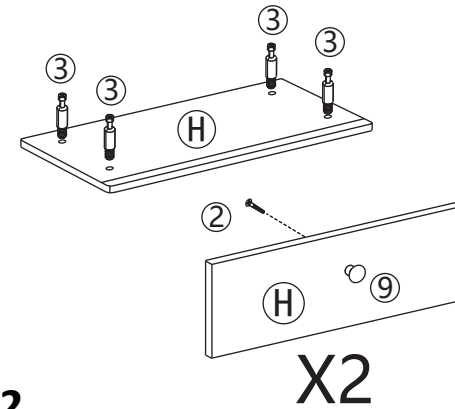
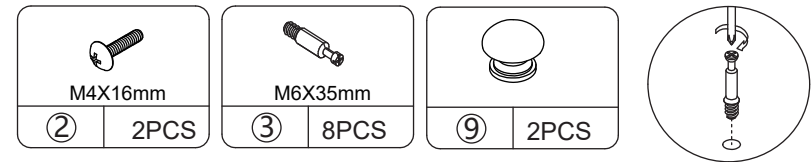
Hardware List

| | | | |
|--|--|--|---|
|  600X300X15mm A 1PC |  595X273X30.5mm B 1PC |  595X273X30.5mm C 1PC |  571X272X15mm D 1PC |
|  511X40X15mm E 2PCS |  511X341X15mm F 1PC |  511X341X15mm G 1PC |  205X149X15mm H 2PCS |
|  178X118X12mm I 2PCS |  291X118X12mm J 2PCS |  291X118X12mm K 2PCS |  250X140X7mm L 4PCS |
|  285X186X2.7mm M 2PCS |  M4X35mm ① 8PCS |  M4X16mm ② 2PCS |  M6X35mm ③ 28PCS |
|  M6X30mm ④ 8PCS |  ⑤ 4PCS |  M3X12mm ⑥ 8PCS |  M9X15mm ⑦ 28PCS |
|  ⑧ 1PC |  ⑨ 2PCS |  M3X12mm ⑩ 2PCS | |

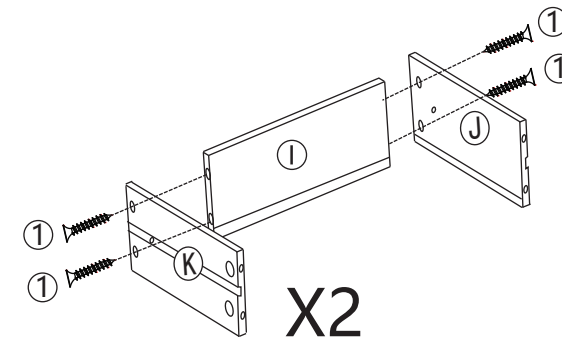
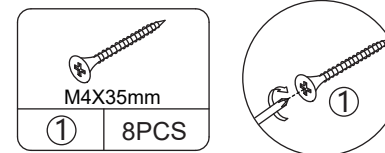
PRODUCT ASSEMBLY

 Check the package contents before getting started !

STEP 1

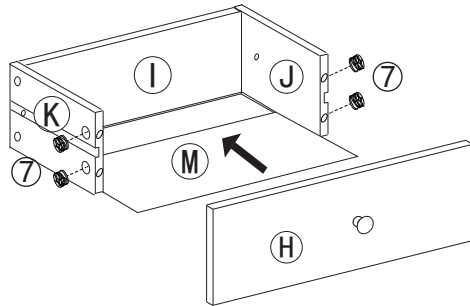
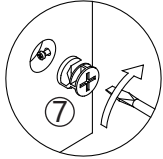
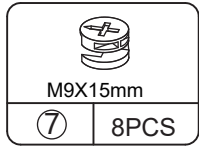


STEP 2



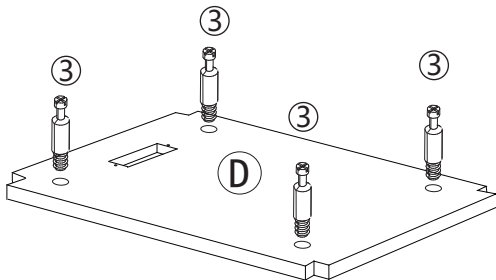
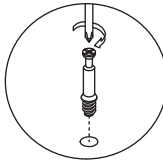
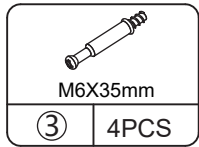
PRODUCT ASSEMBLY

STEP 3



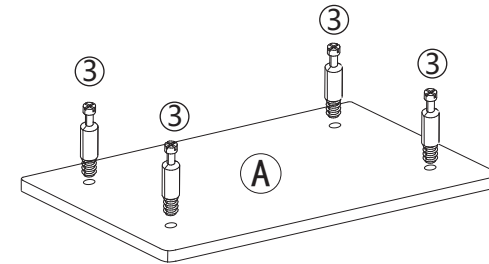
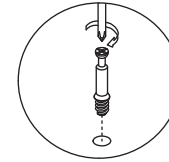
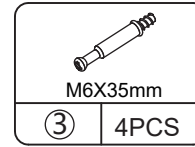
X2

STEP 4

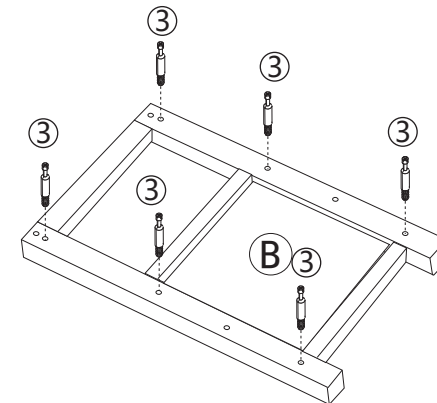
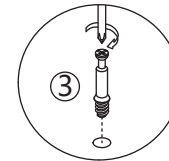
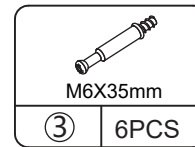


PRODUCT ASSEMBLY

STEP 5

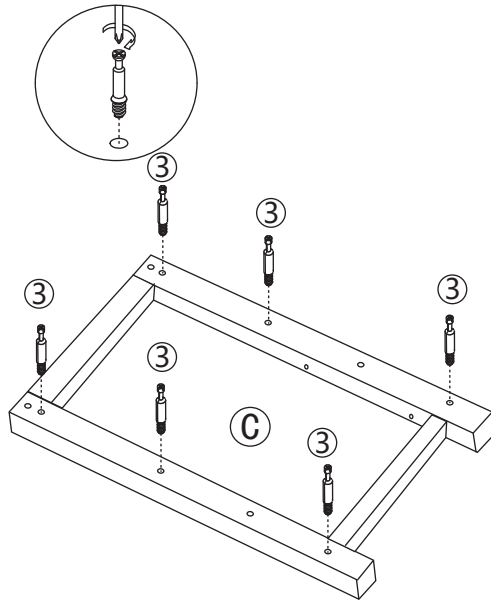
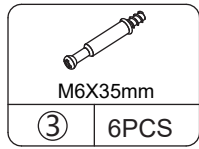


STEP 6

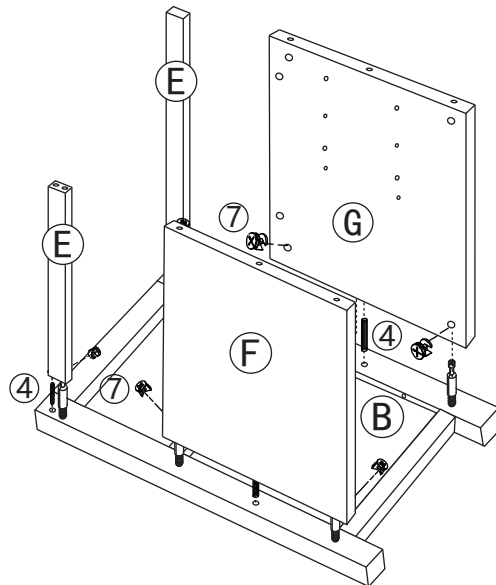
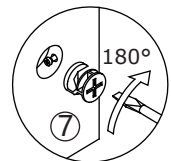
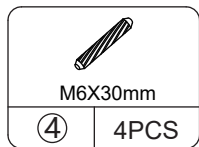
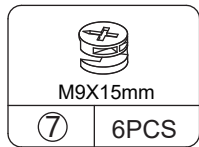


PRODUCT ASSEMBLY

STEP 7

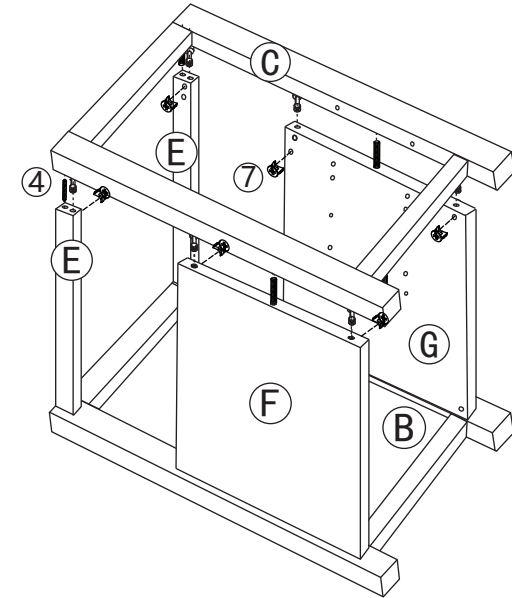
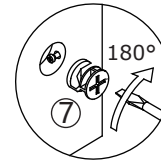
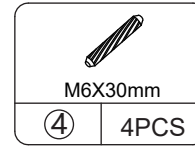
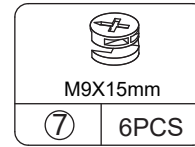


STEP 8

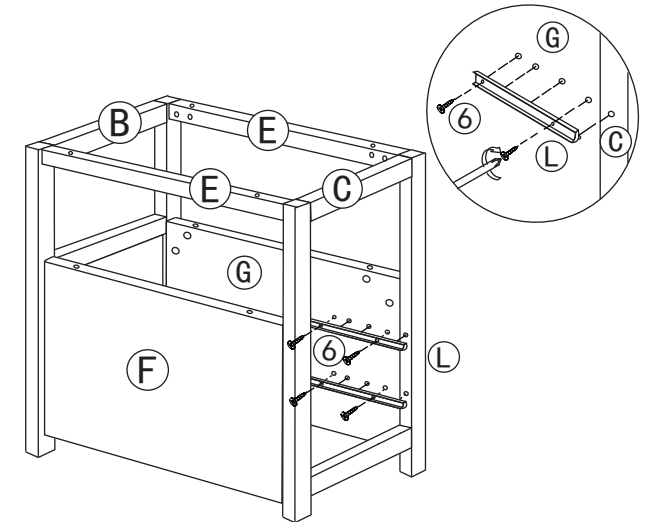
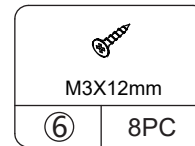


PRODUCT ASSEMBLY

STEP 9



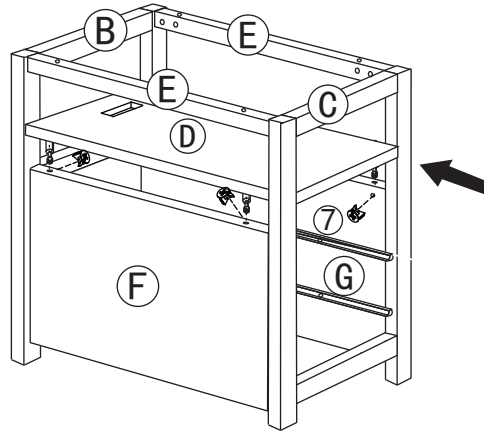
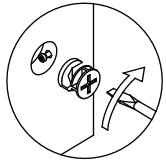
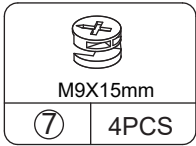
STEP 10



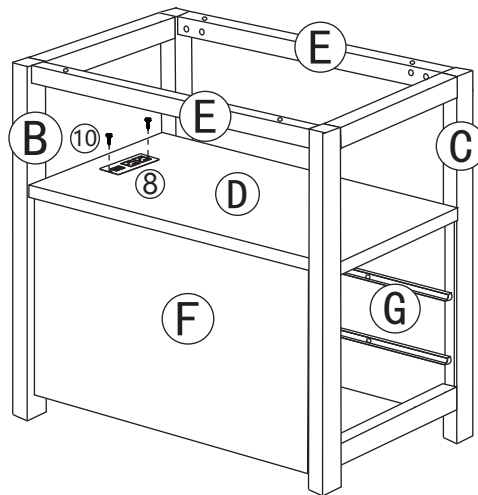
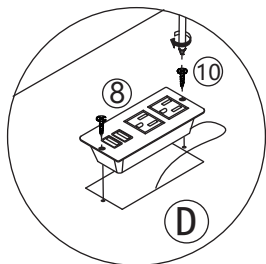
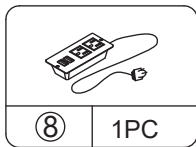
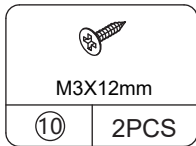
PRODUCT ASSEMBLY

PRODUCT ASSEMBLY

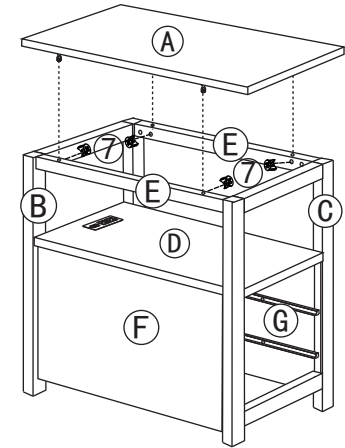
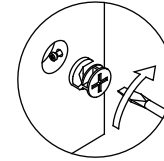
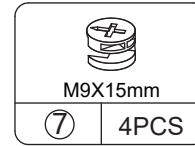
STEP 11



STEP 12



STEP 13



STEP 14

