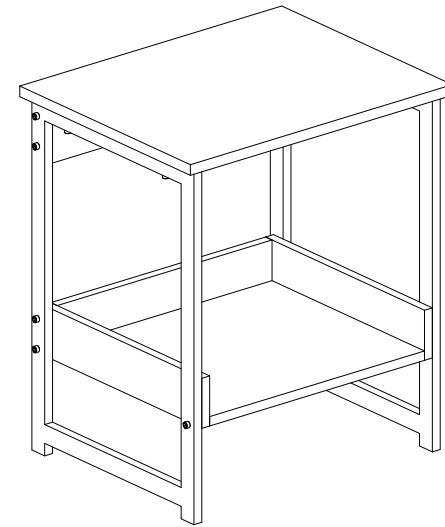


User Manual

JAXPETY



Model Number: HG61L0930



Scan ! To find more surprise!

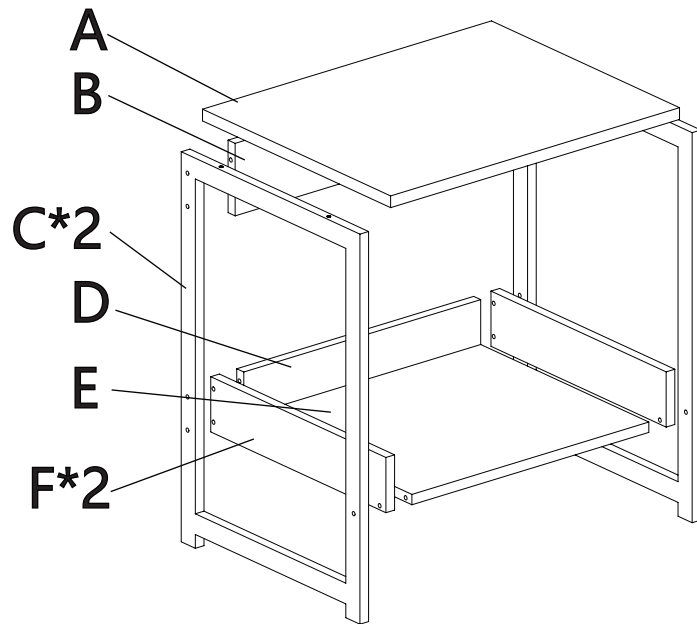


You need

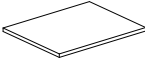
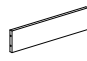



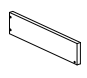




① 1 person is needed



② Take 30 minutes



Hardware List

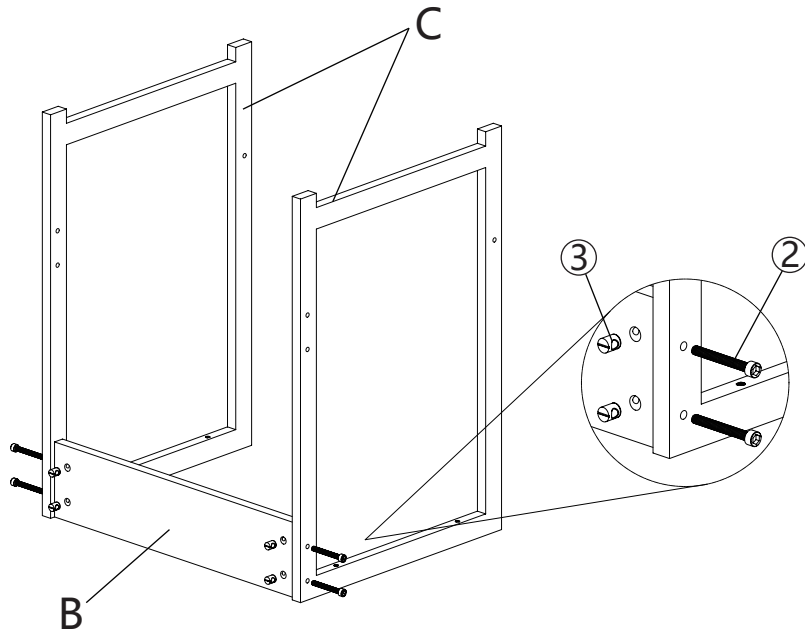
			
A 1PC	B 1PC	C 2PCS	D 1PC
			
E 1PC	F 2PCS	① 6PCS	② 10PCS
			
③ 12PCS	④ 1PC		

PRODUCT ASSEMBLY

 Check the package contents before getting started !

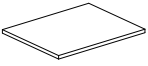

STEP 1

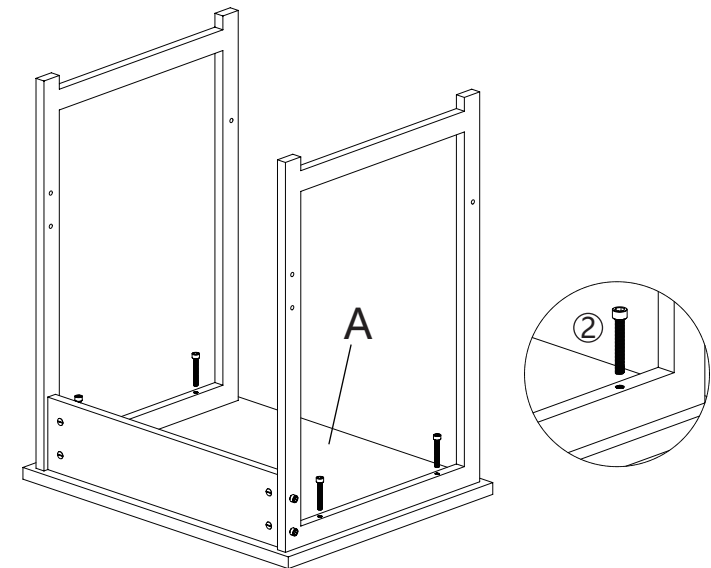
			
B	C	M6X40MM	
1PC	2PCS	② 4PCS	③ 4PCS



PRODUCT ASSEMBLY

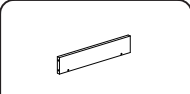
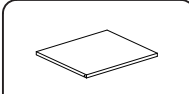


STEP 2

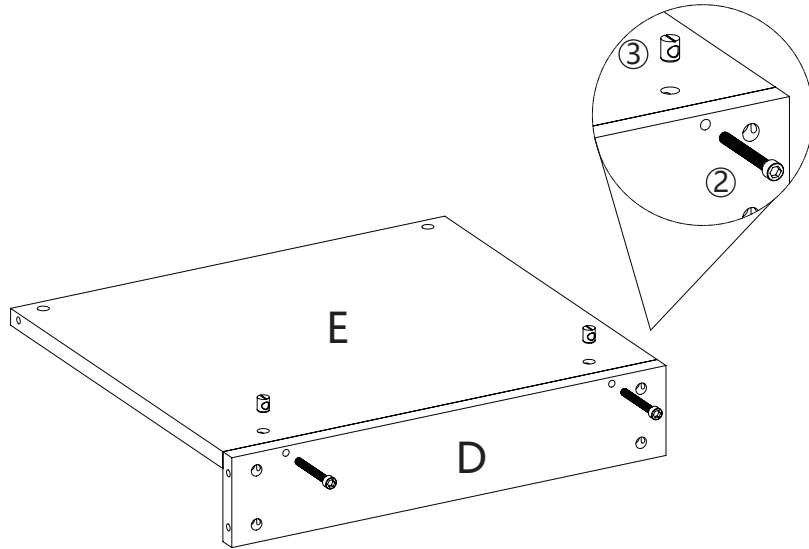
	
A	M6X40MM
1PC	② 4PCS



PRODUCT ASSEMBLY

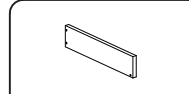


STEP 3

			
D	1PC	②	2PCS
		③	2PCS



PRODUCT ASSEMBLY

STEP 4

			
F	2PCS	①	6PCS
		③	6PCS

