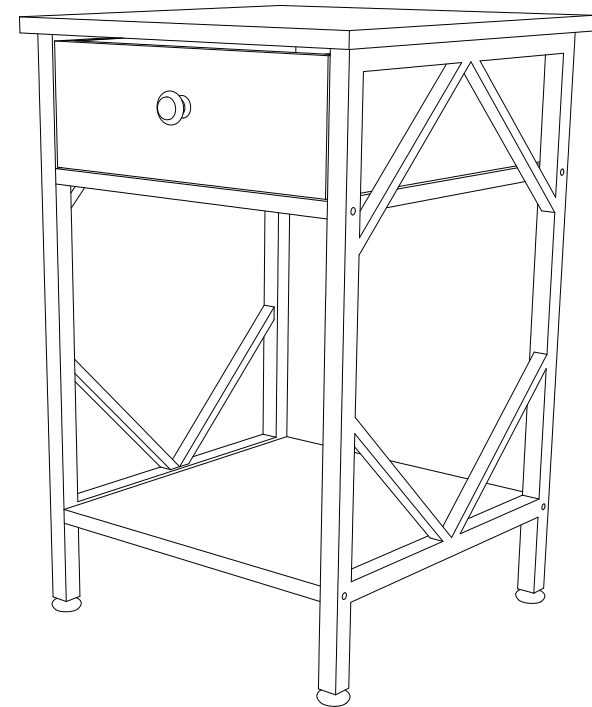


User Manual

Check the package contents before getting started !

JAXPETY



Model Number: HG61L1200
HG61M1201

JAXPETY

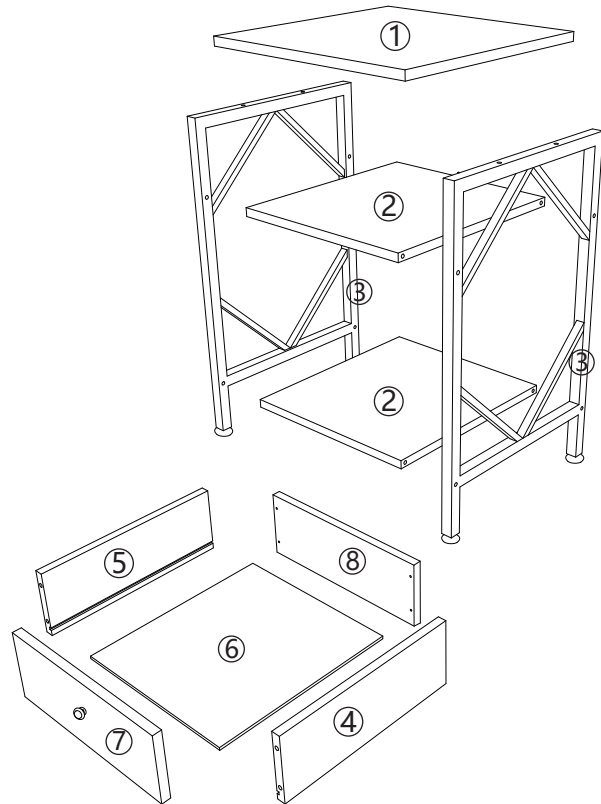
You need

1 Tools required

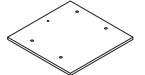
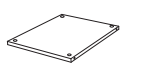
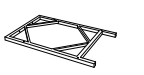


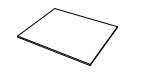
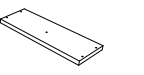
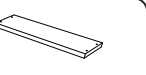





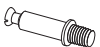

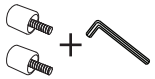

A Phillips head screwdriver is required for the assembly of this product. (not included)

Power tools should not be used to assemble this product.

2 2 persons are needed

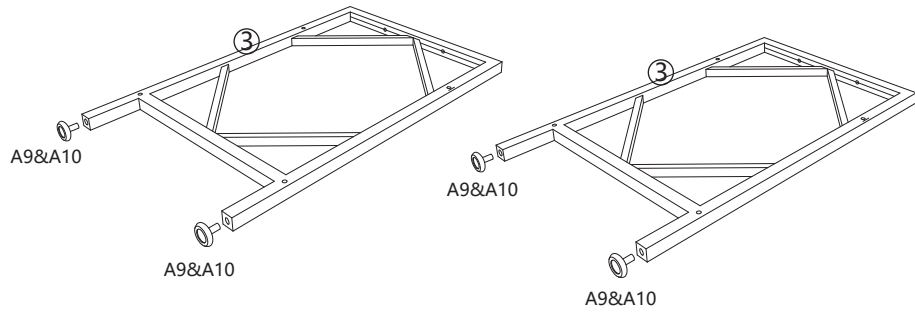
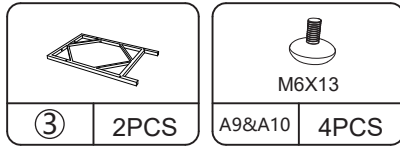


Hardware List

 395x395mm ① 2PCS	 367x335mm ② 4PCS	 570x365mm ③ 4PCS	 335x120mm ④ 2PCS
 335x120mm ⑤ 2PCS	 310x335mm ⑥ 2PCS	 570x365mm ⑦ 2PCS	 332x120mm ⑧ 2PCS
 M6X45 A1 16PCS	 M6X30 A2 8PCS	 M4X35 A3 8PCS	 M6X11 A4 16PCS
 M15X12 A5 8PCS	 M6X40 A6 8PCS	 M4X20 A7 2PCS	 A8 1PC
 M6X13 A9&A10 8PCS			

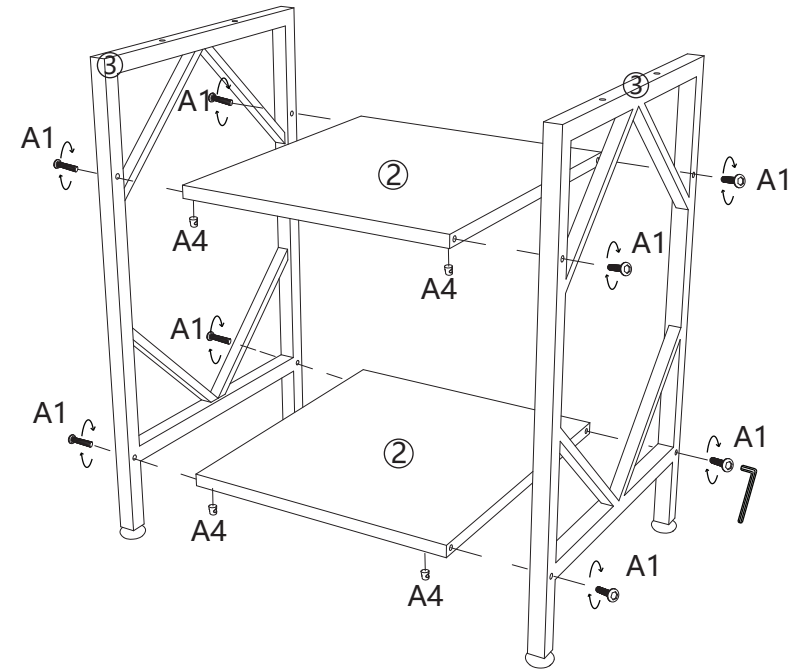
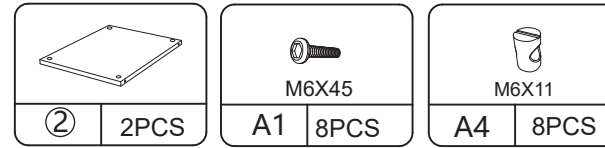
PRODUCT ASSEMBLY

STEP 1



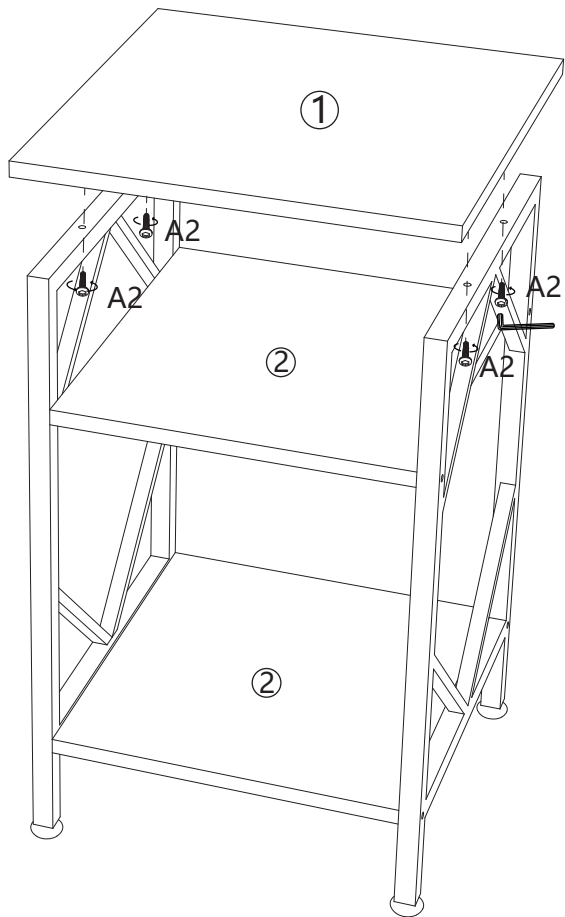
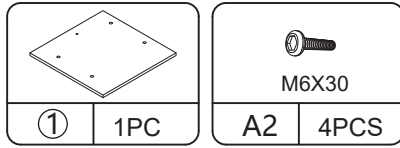
PRODUCT ASSEMBLY

STEP 2



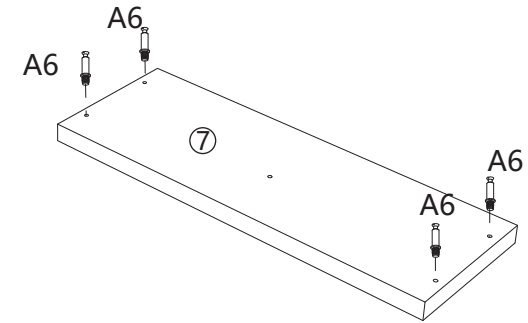
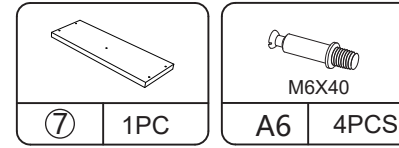
PRODUCT ASSEMBLY

STEP 3

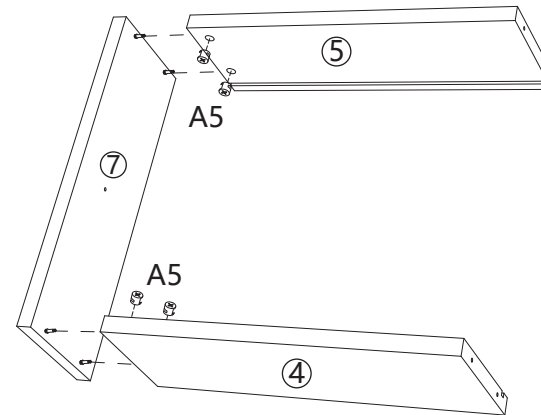
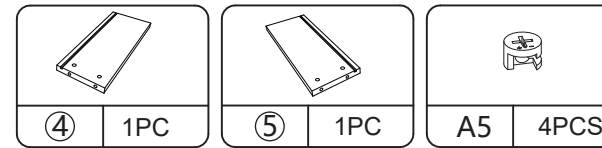


PRODUCT ASSEMBLY

STEP 4

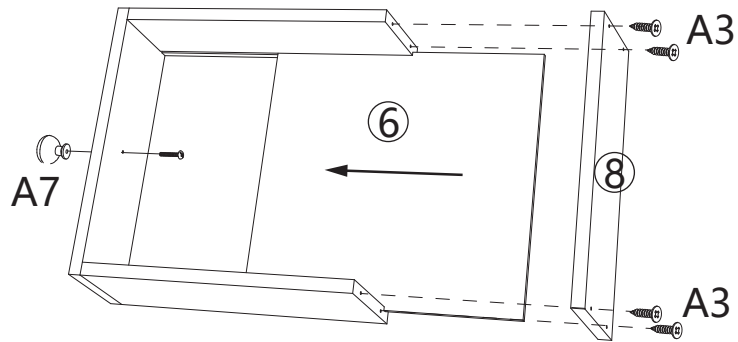
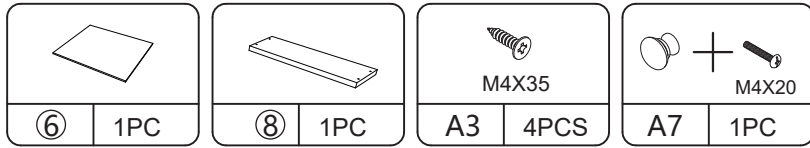


STEP 5



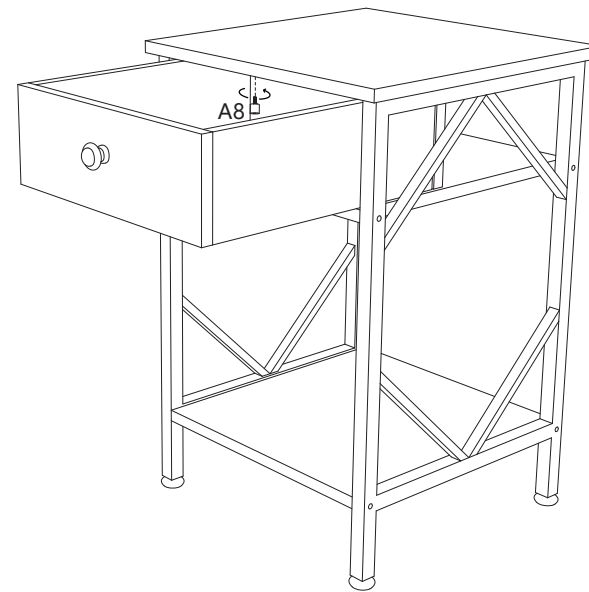
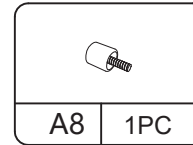
PRODUCT ASSEMBLY

STEP 6



PRODUCT ASSEMBLY

STEP 7



Repeat the above steps to start another assembly.