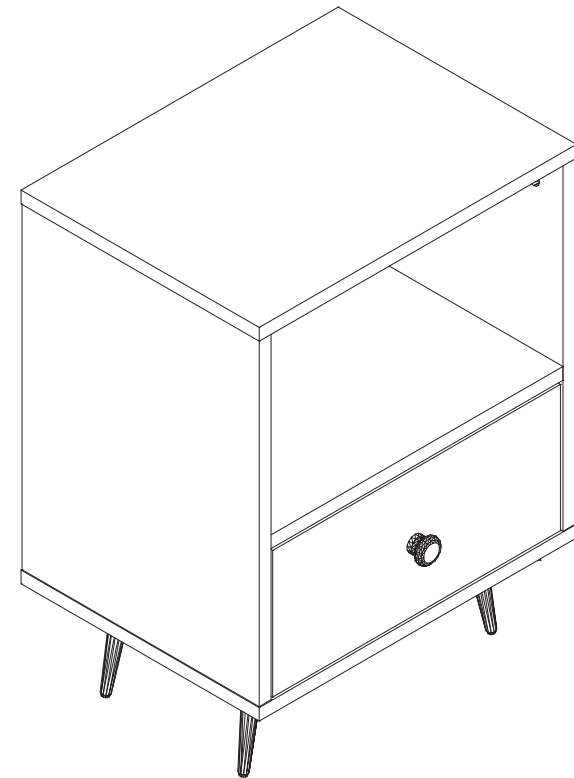


# User Manual

**JAXPETY**



Model Number: HG61N1184  
HG61P1185

# You need

**① Tools required**

A Phillips head screwdriver is required for the assembly of this product. (not included)

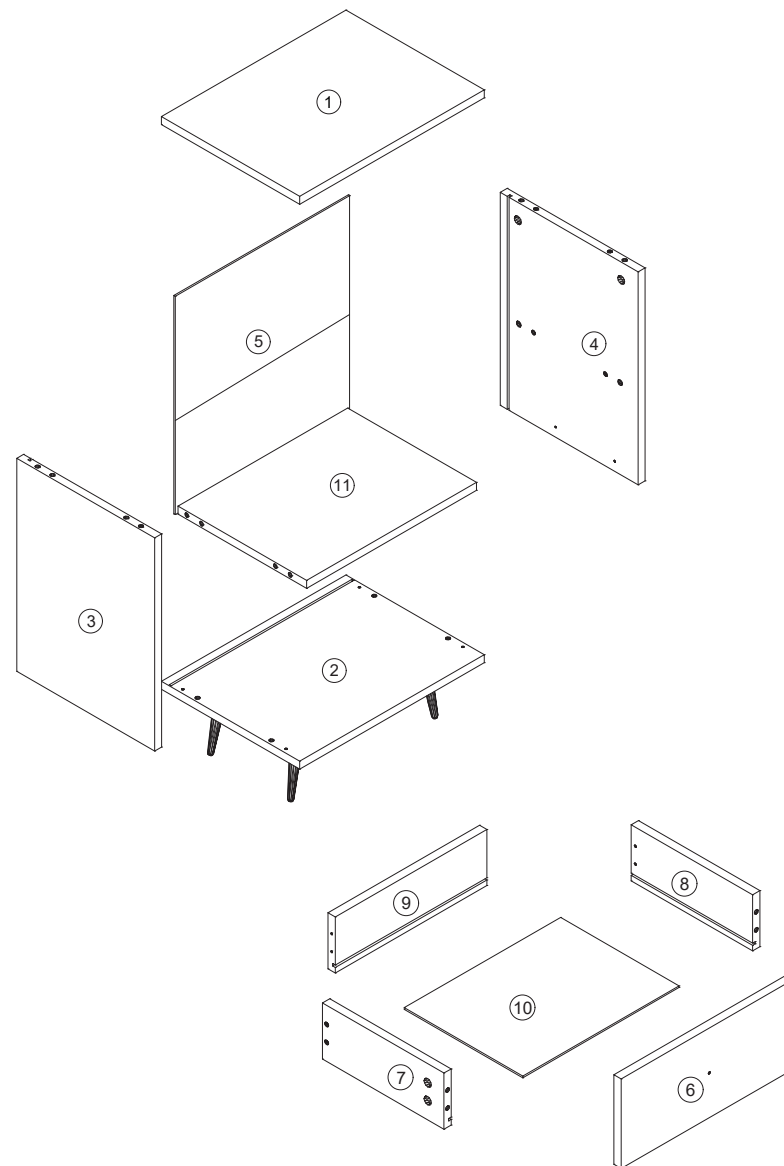
Power tools should not be used to assemble this product.

**② 2 persons are needed**

# Hardware List

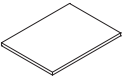

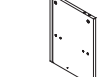
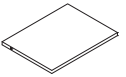




① 1PC	② 1PC	③ 1PC	④ 1PC	⑤ 1PC
⑥ 1PC	⑦ 1PC	⑧ 1PC	⑨ 1PC	⑩ 1PC
⑪ 1PC	A 12PCS	B 12PCS	C 12PCS	D 4PCS
E1 1PC	E2 1PC	F 4PCS	G 28PCS	H 4PCS
I 8PCS	J 4PCS	K 1PCS	L 4PCS	

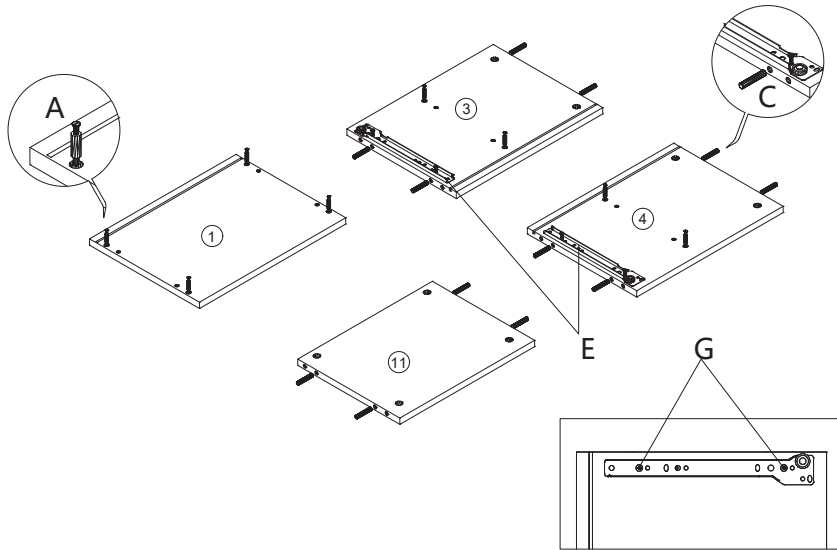
# PRODUCT ASSEMBLY



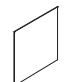

 Check the package contents before getting started !

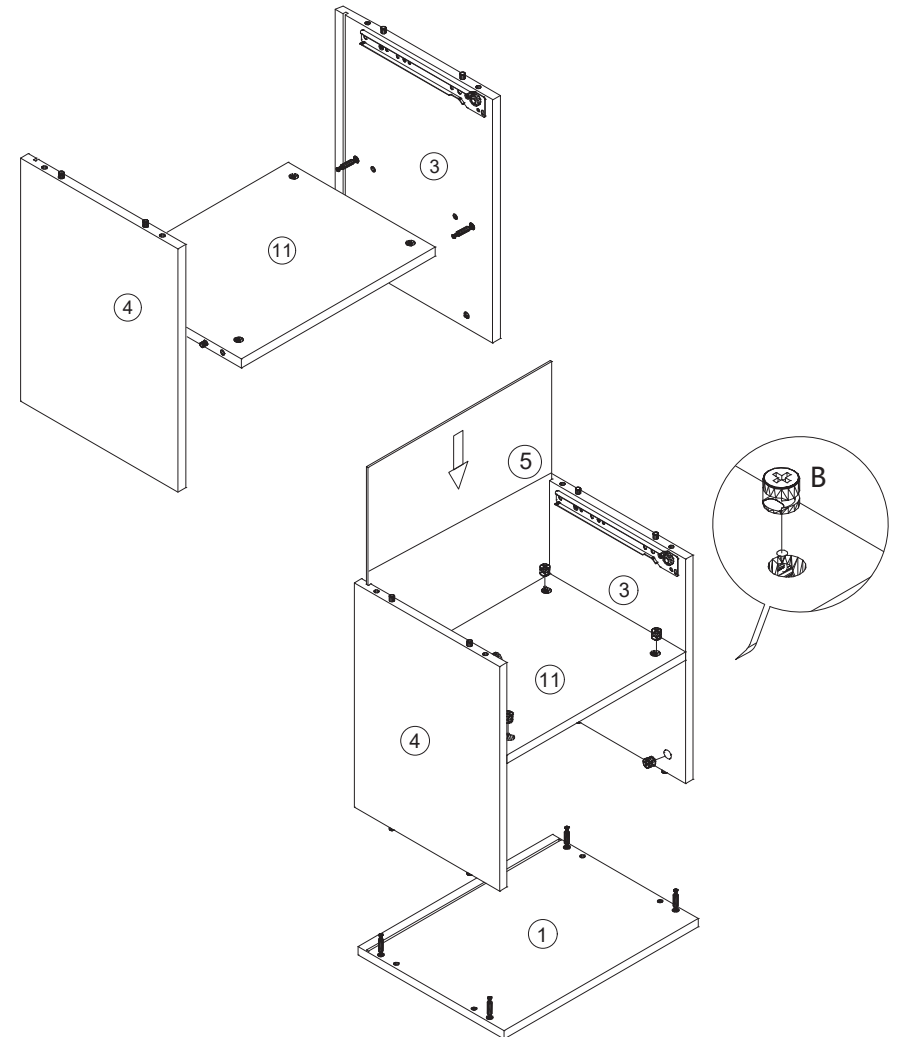
**STEP 1**

			
① 1PC	③ 1PC	④ 1PC	⑪ 1PC
			
A 8PCS	C Ø8*30 12PCS	E1 1PC	G Ø3.5*14 4PCS

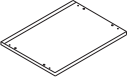





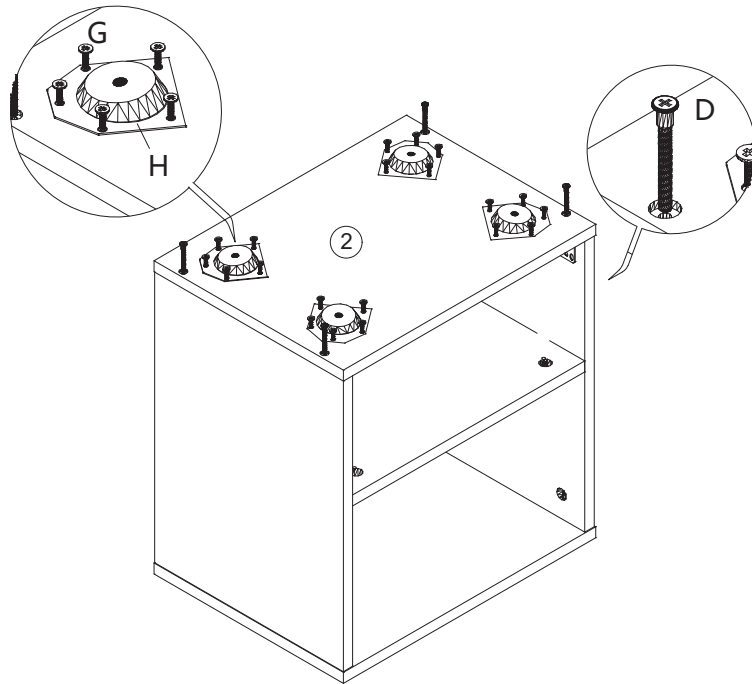
**STEP 2**

	
⑤ 1PC	B 8PCS

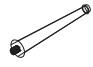


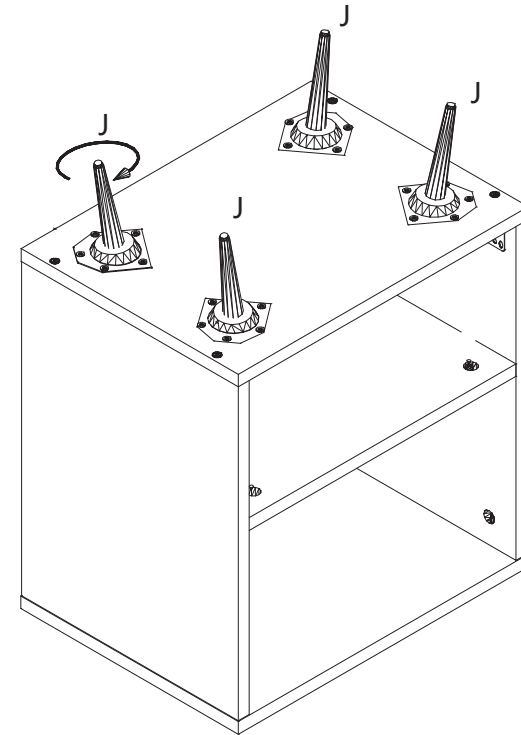
**STEP 3**

	 Ø4*42		 Ø3.5*14
② 1PC	D 4PCS	H 4PCS	G 20PCS



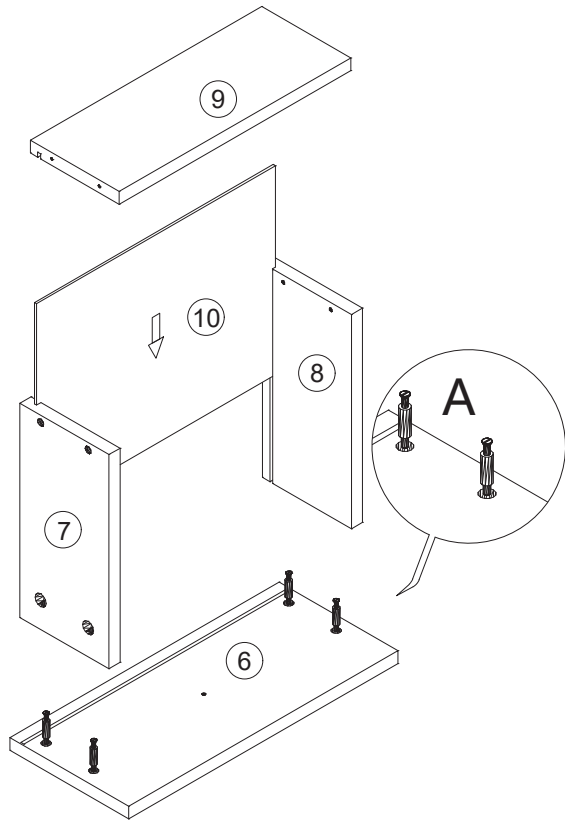
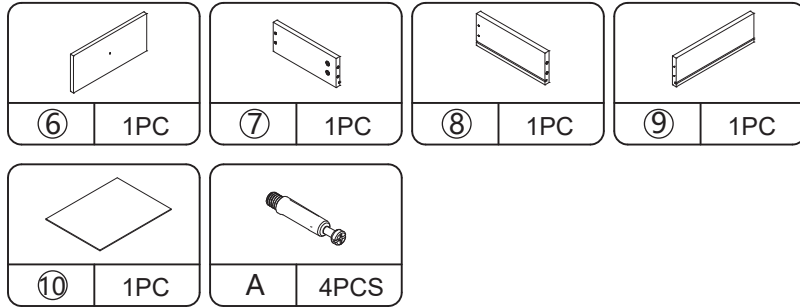
**STEP 4**


J 4PCS



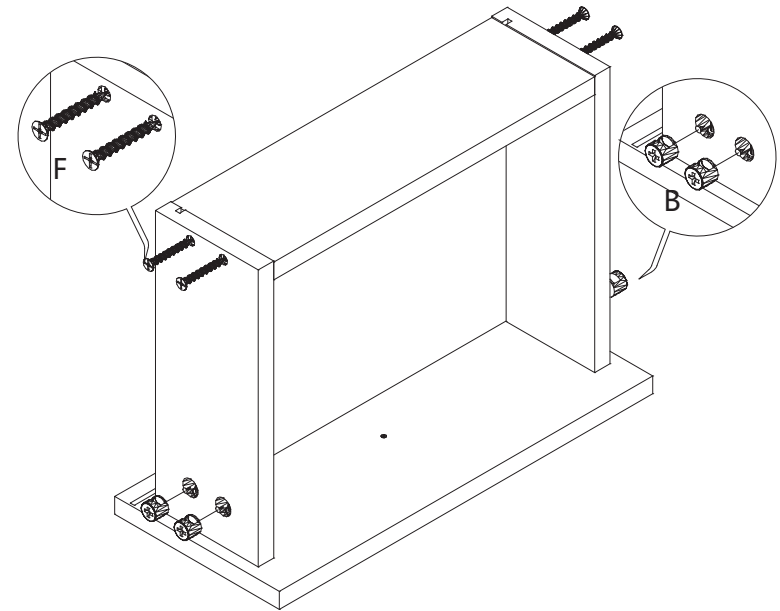
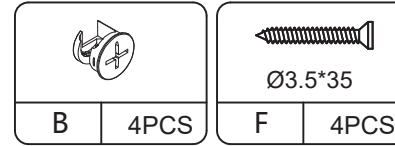
PRODUCT ASSEMBLY

STEP 5



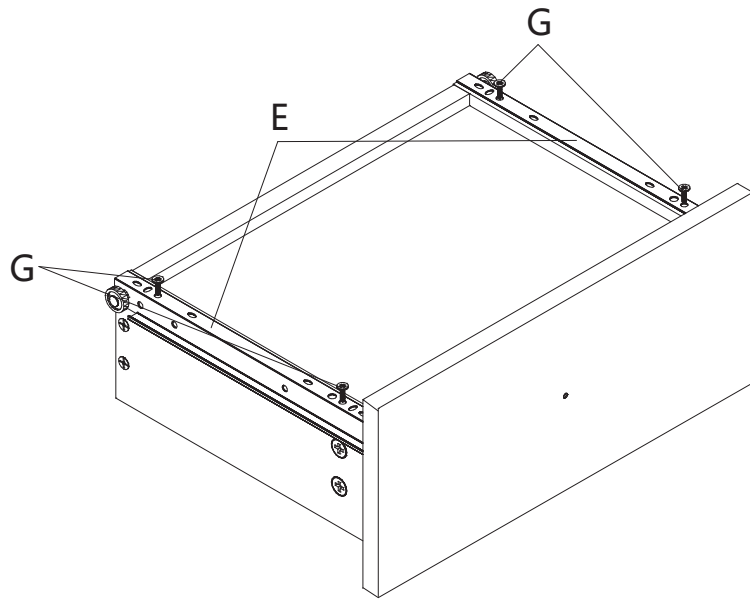
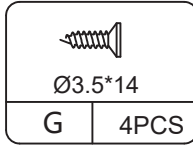
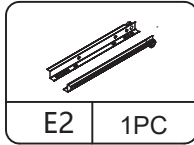
PRODUCT ASSEMBLY

STEP 6



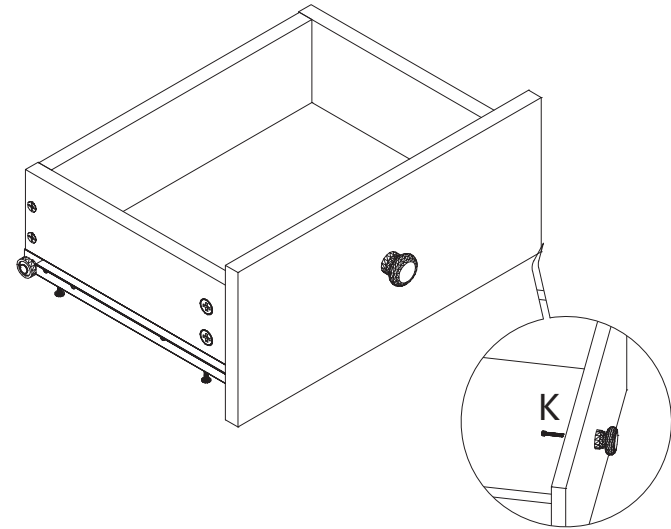
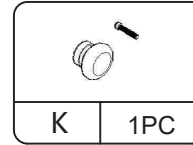
PRODUCT ASSEMBLY

STEP 7



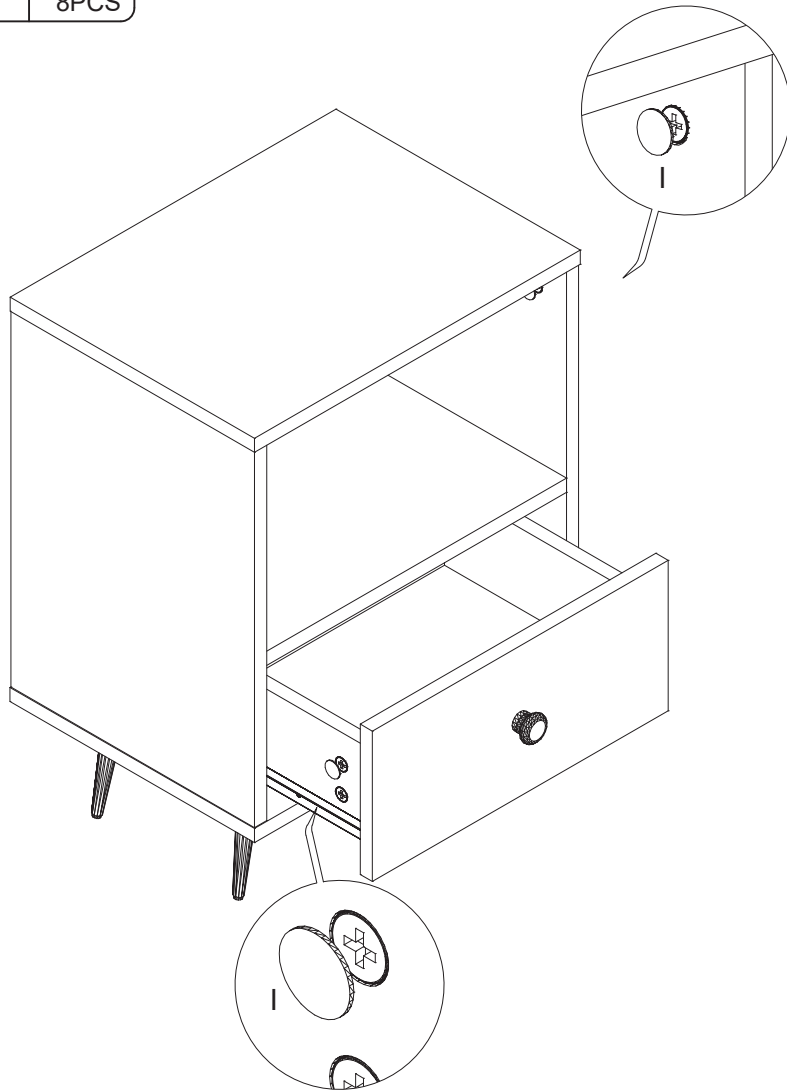
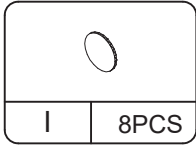
PRODUCT ASSEMBLY

STEP 8



PRODUCT ASSEMBLY

STEP 9



PRODUCT ASSEMBLY

STEP 10

