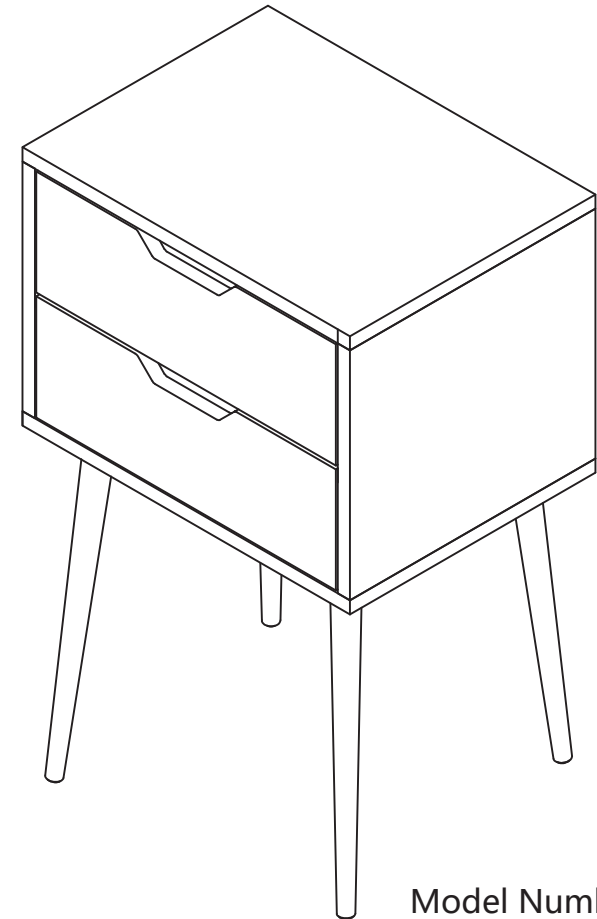


User Manual

JAXPETY



Model Number:HG61T0576
HG61R0574
HG61N0572

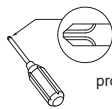
JAXPETY

You need

① 1 person is needed

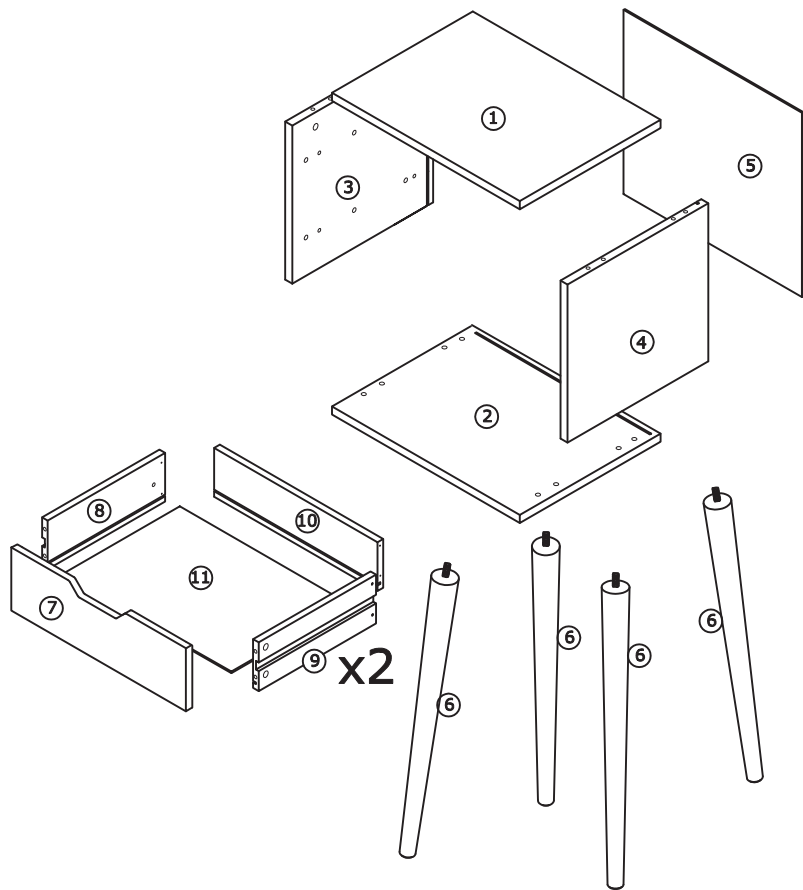
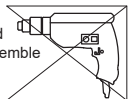


② Tools required



A Phillips head screwdriver is required for the assembly of this product. (not included)

Power tools should not be used to assemble this product.



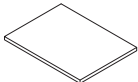
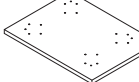
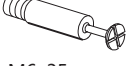

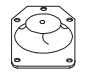
Hardware List

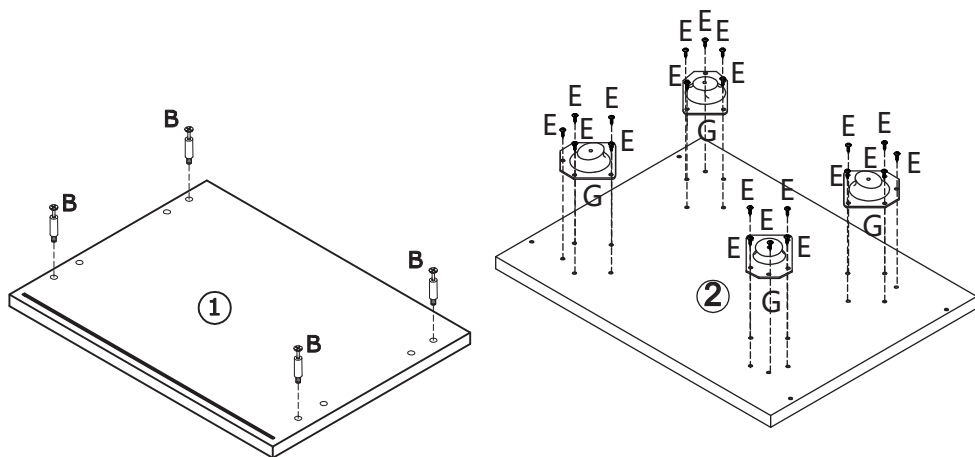
 ① 1PC	 ② 1PC	 ③ 1PC	 ④ 1PC
 ⑤ 1PC	 ⑥ 4PCS	 ⑦ 2PCS	 ⑧ 2PCS
 ⑨ 2PCS	 ⑩ 2PCS	 ⑪ 2PCS	 A 12PCS
 B 12PCS	 C 12PCS	 D 8PCS	 E 20PCS
 F 8PCS	 G 4PCS	 H 4PCS	 I 4PCS
J 4PCS			

PRODUCT ASSEMBLY

 Check the package contents before getting started !

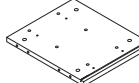
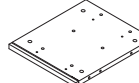
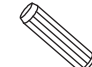


STEP 1

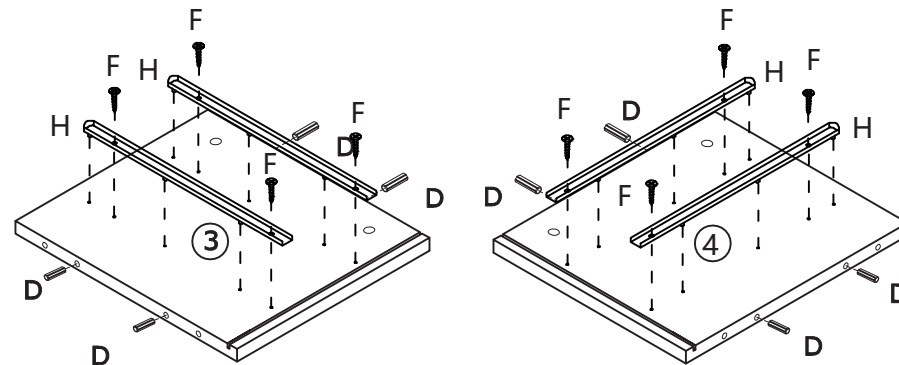
				
① 1PC	② 1PC	B 4PCS	E 20PCS	G 4PCS



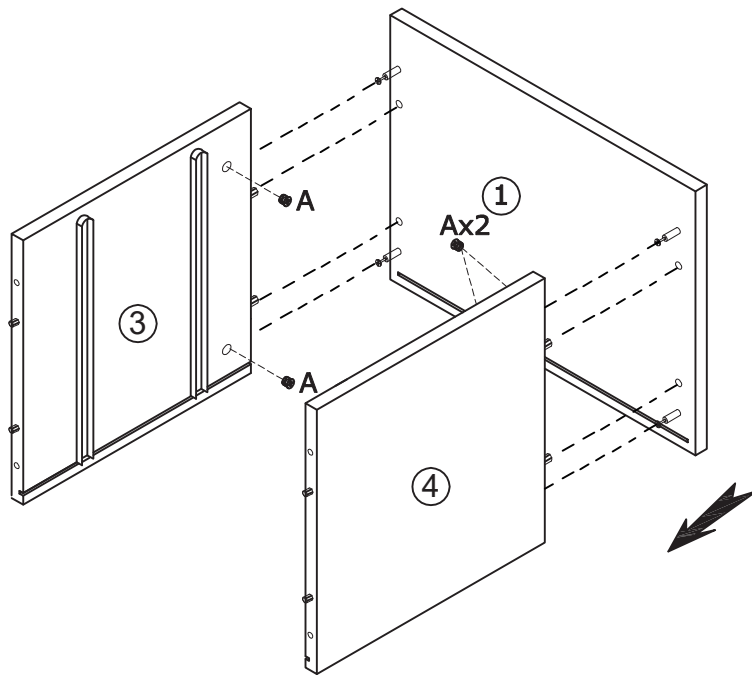
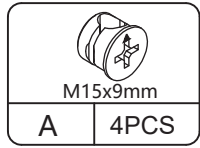
PRODUCT ASSEMBLY

STEP 2

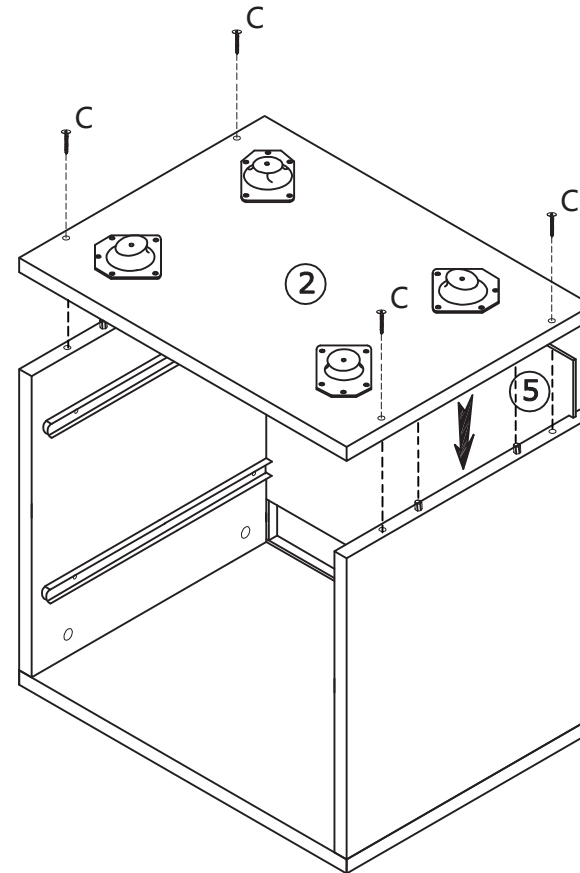
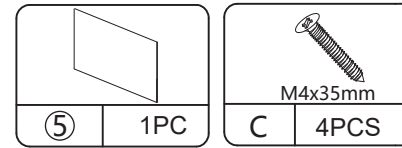
				
③ 1PC	④ 1PC	D 8PCS	F 8PCS	H 4PCS



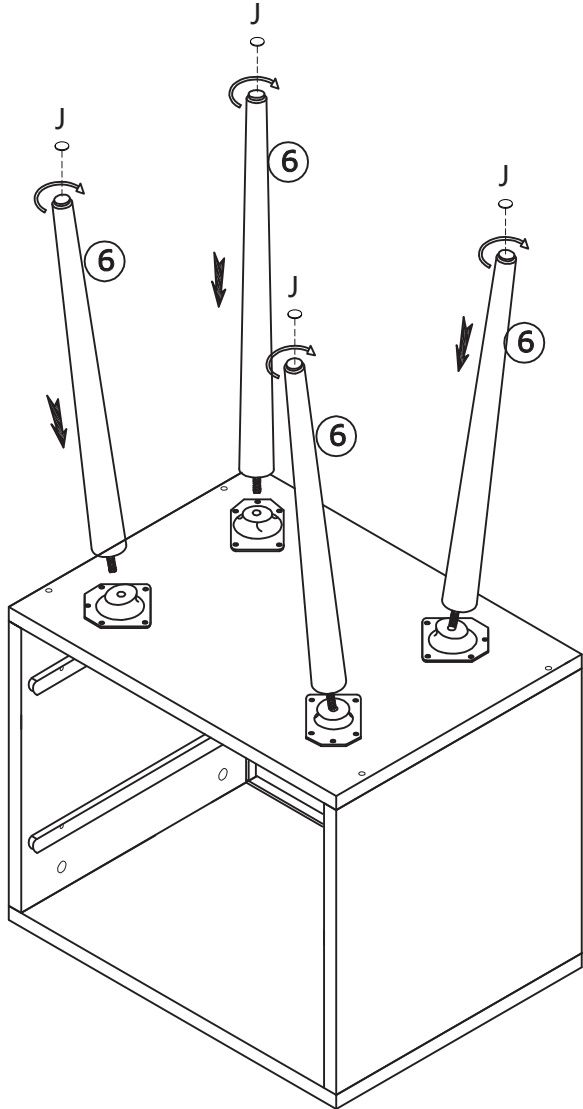
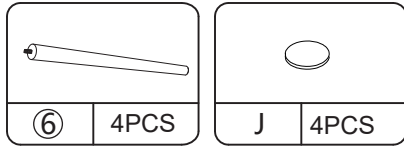
STEP 3



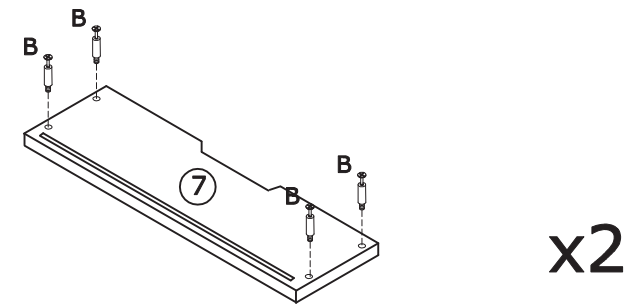
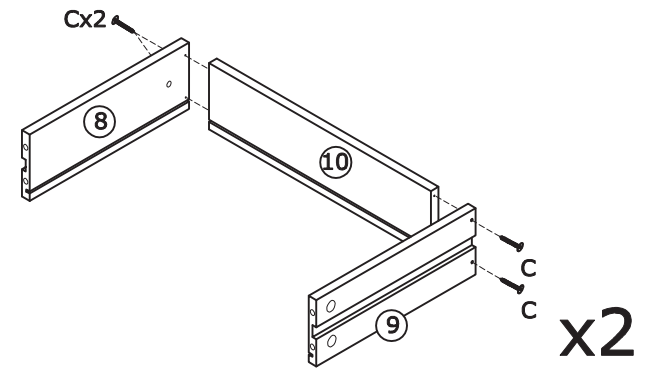
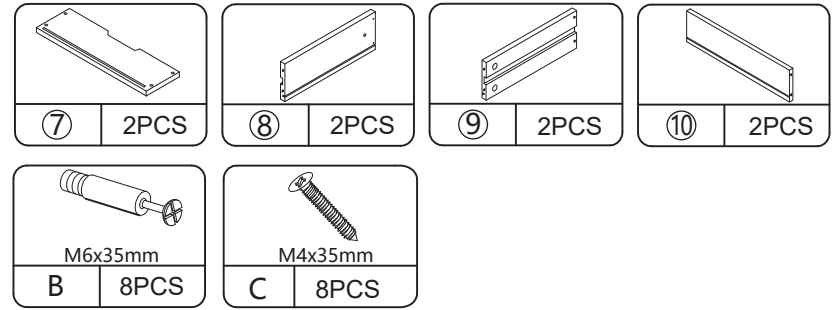
STEP 4



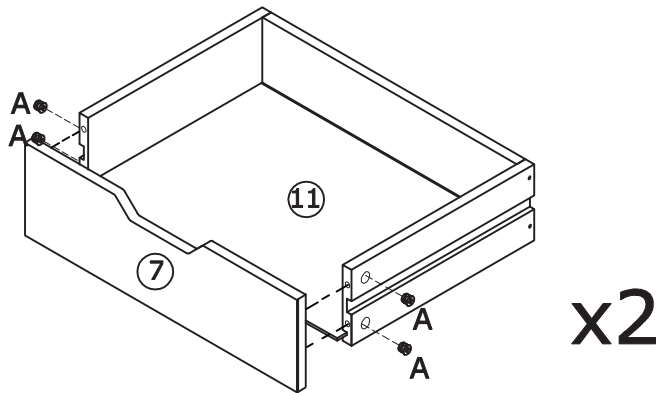
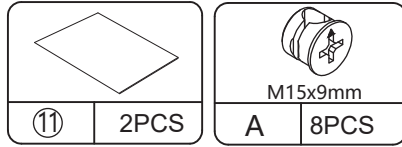
STEP 5



STEP 6



STEP 7



STEP 8

