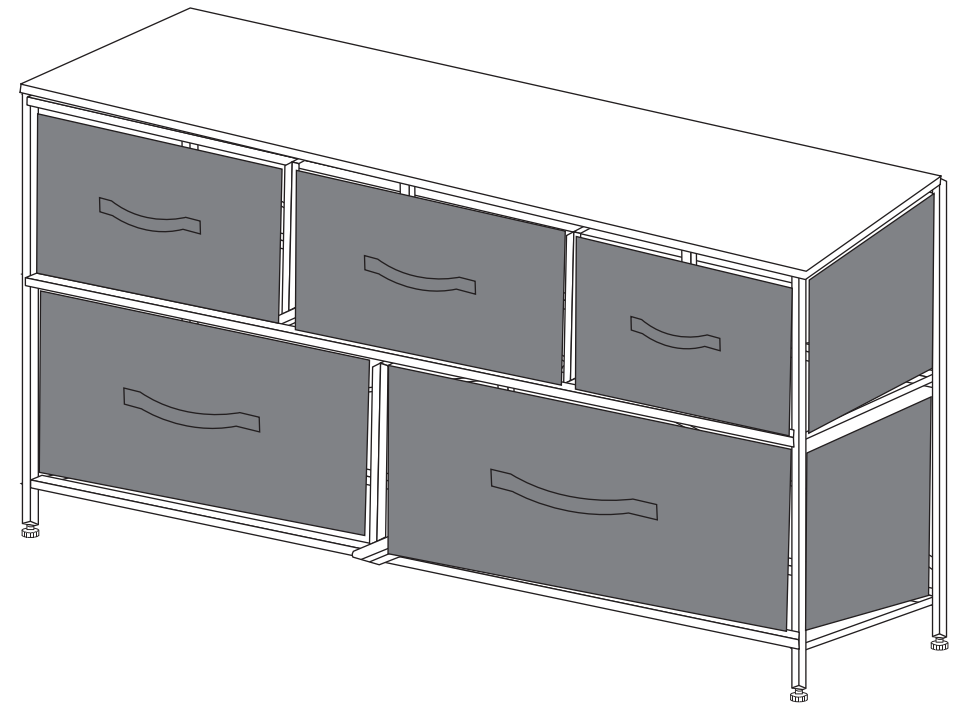


# User Manual

# JAXPETY



Scan ! To find more surprise!

## You need

① 1 person is needed



② Take 30 minutes



| Technical Specifications |               |
|--------------------------|---------------|
| Brand                    | JAXPETY       |
| Size                     | 100*290*550mm |

## Hardware List

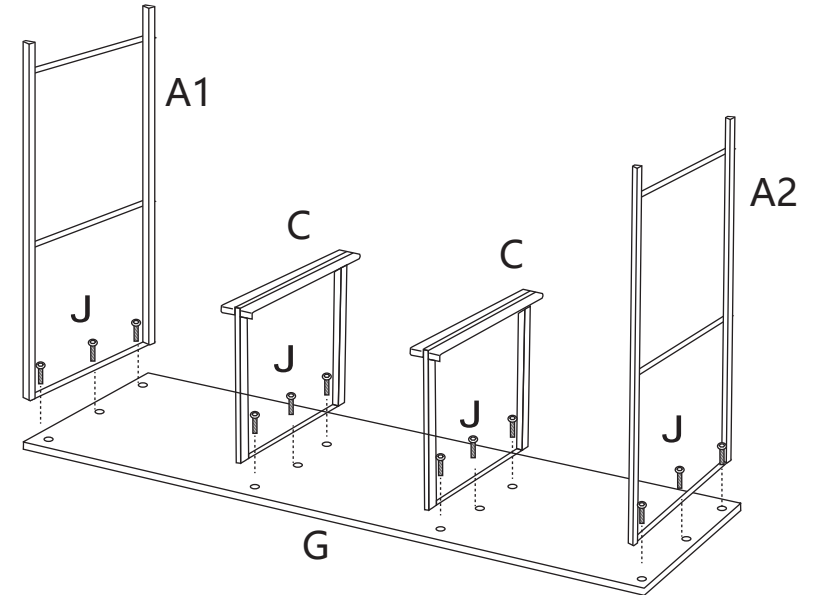
|          |           |           |          |
|----------|-----------|-----------|----------|
|          |           |           |          |
| A1   1PC | A2   1PC  | B   1PC   | C   2PCS |
|          |           |           |          |
| D   2PCS | E   2PCS  | F   1PC   | G   1PC  |
|          |           |           |          |
| H   4PCS | I   16PCS | J   12PCS | K   4PCS |
|          |           |           |          |
| L   2PCS | M   3PCS  | N   1PC   |          |

## PRODUCT ASSEMBLY

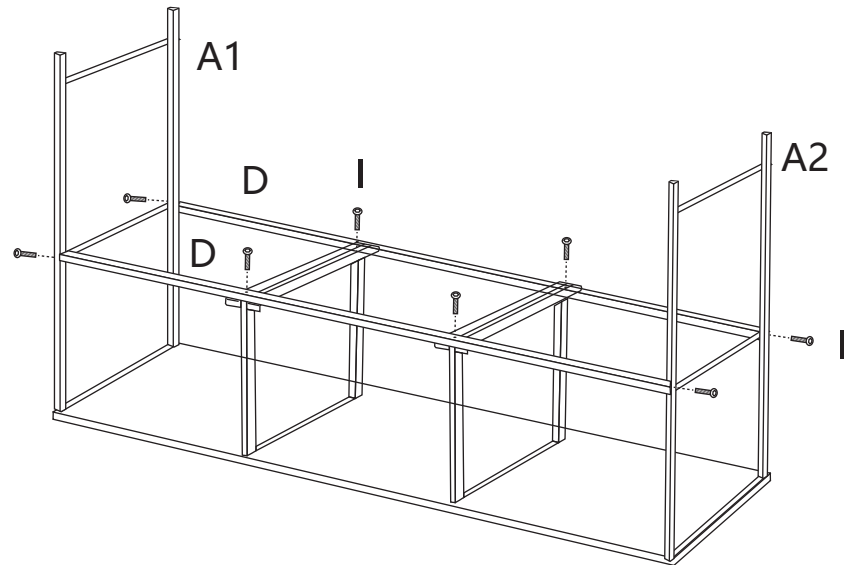
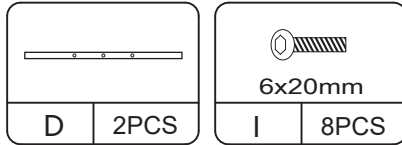
Check the package contents before getting started !

### STEP 1

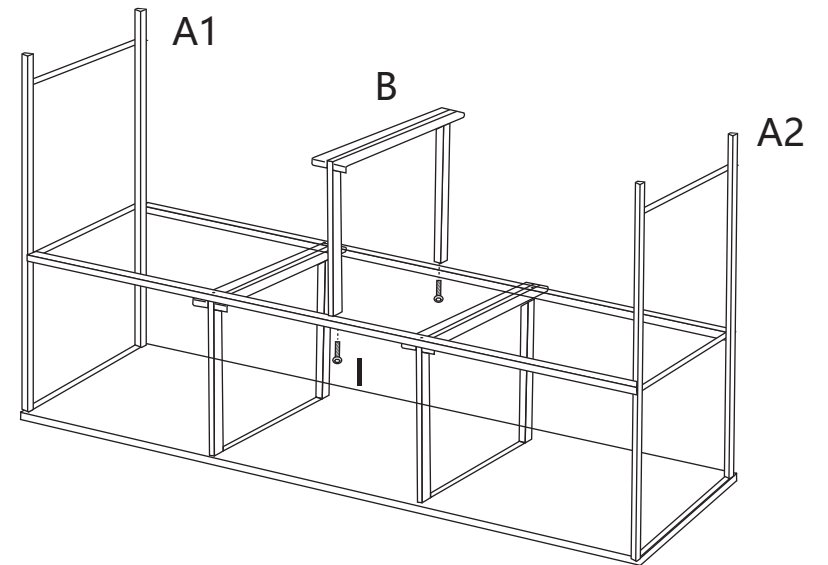
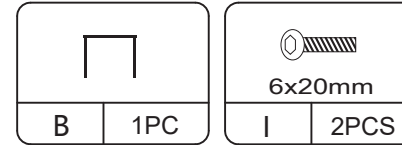
|           |          |          |         |
|-----------|----------|----------|---------|
|           |          |          |         |
| A1   1PC  | A2   1PC | C   2PCS | G   1PC |
|           |          |          |         |
| 6x10mm    |          |          |         |
| J   12PCS |          |          |         |



### STEP 2

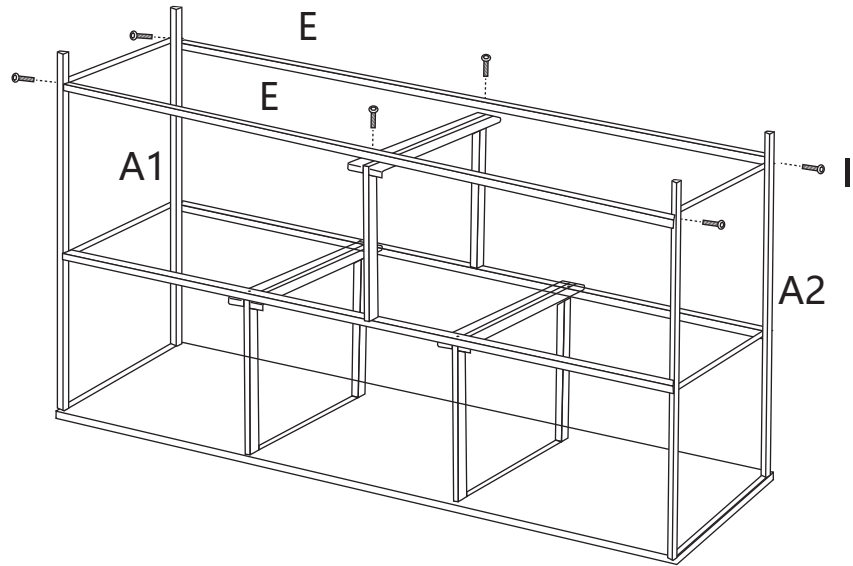
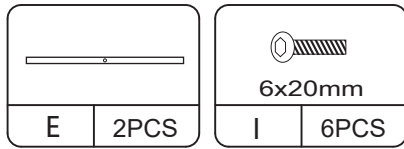


### STEP 3



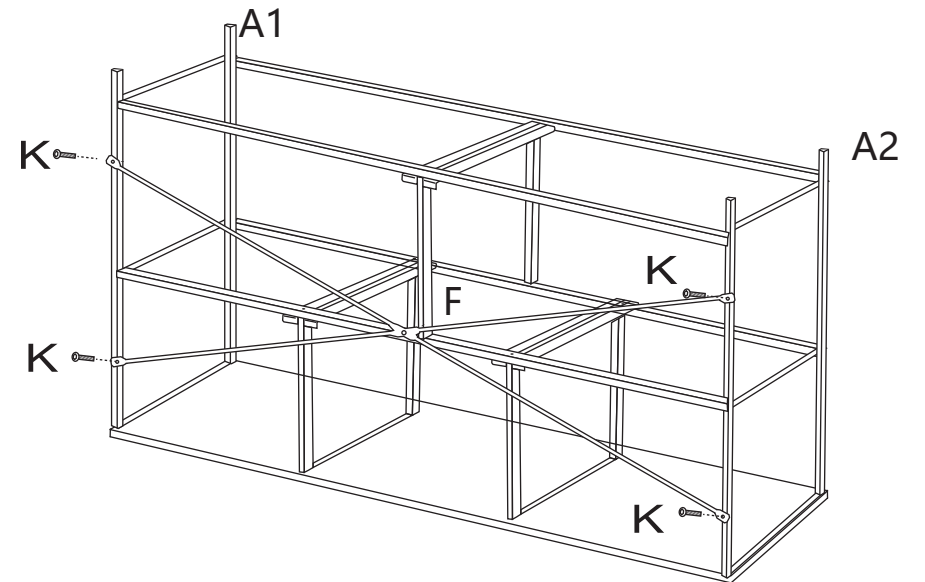
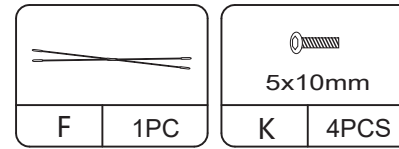
**PRODUCT ASSEMBLY**

**STEP 4**

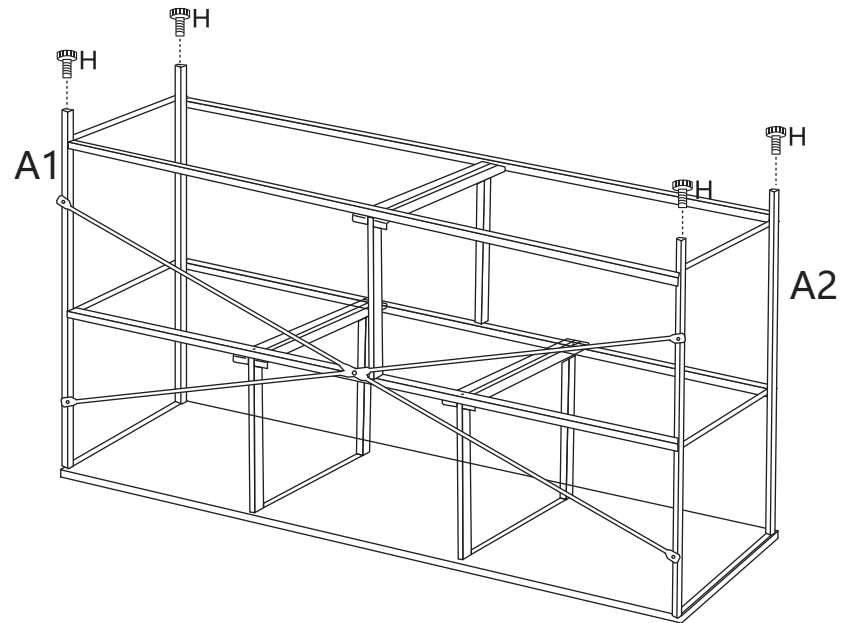
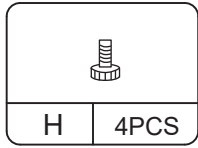


**PRODUCT ASSEMBLY**

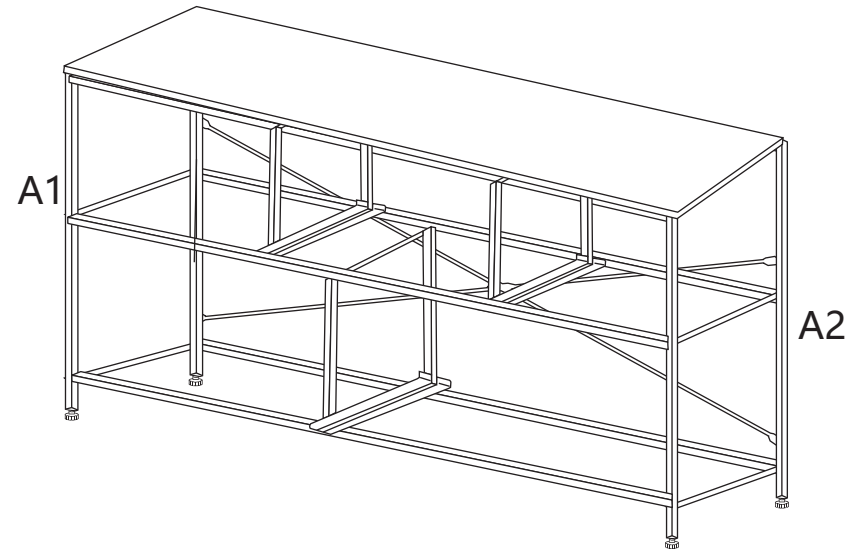
**STEP 5**



### STEP 6

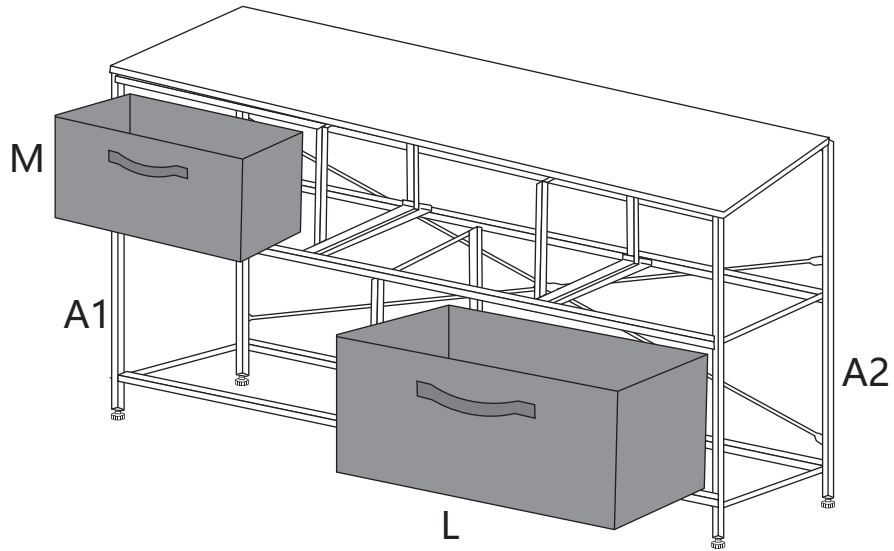
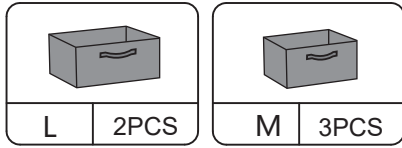


### STEP 7



PRODUCT ASSEMBLY

**STEP 8**



PRODUCT ASSEMBLY

**STEP 9**

