

# User Manual

**JAXPETY**



Model Number: HG61S1187

**JAXPETY**

# You need

**1 Tools required**

A Phillips head screwdriver is required for the assembly of this product. (not included)

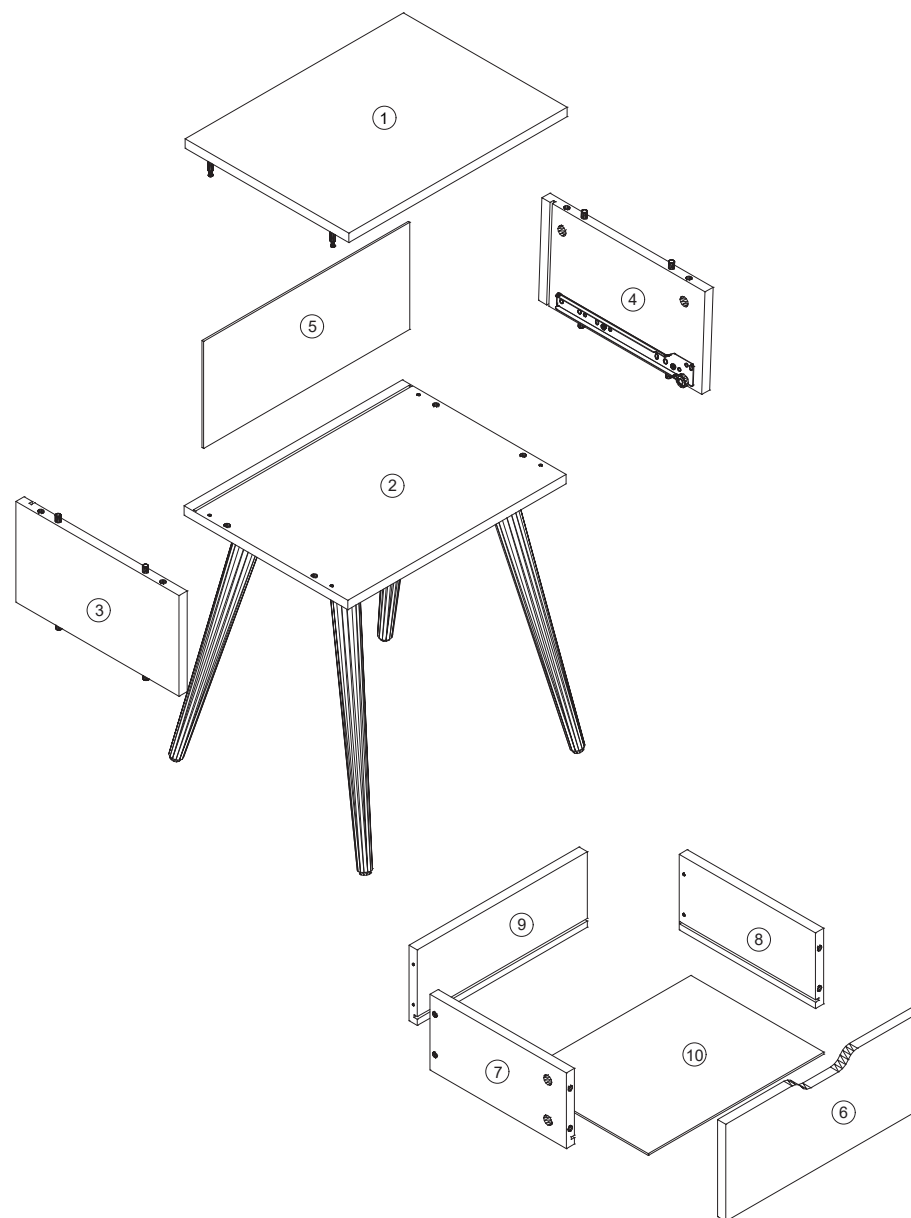
Power tools should not be used to assemble this product.

**2 2 persons are needed**

# Hardware List

① 1PC	② 1PC	③ 1PC	④ 1PC	⑤ 1PC
⑥ 1PC	⑦ 1PC	⑧ 1PC	⑨ 1PC	⑩ 1PC
A 8PCS	B 8PCS	C 8PCS	D 4PCS	E1 1PC
E2 1PC	F 4PCS	G 28PCS	H 4PCS	I 4PCS
J 4PCS				

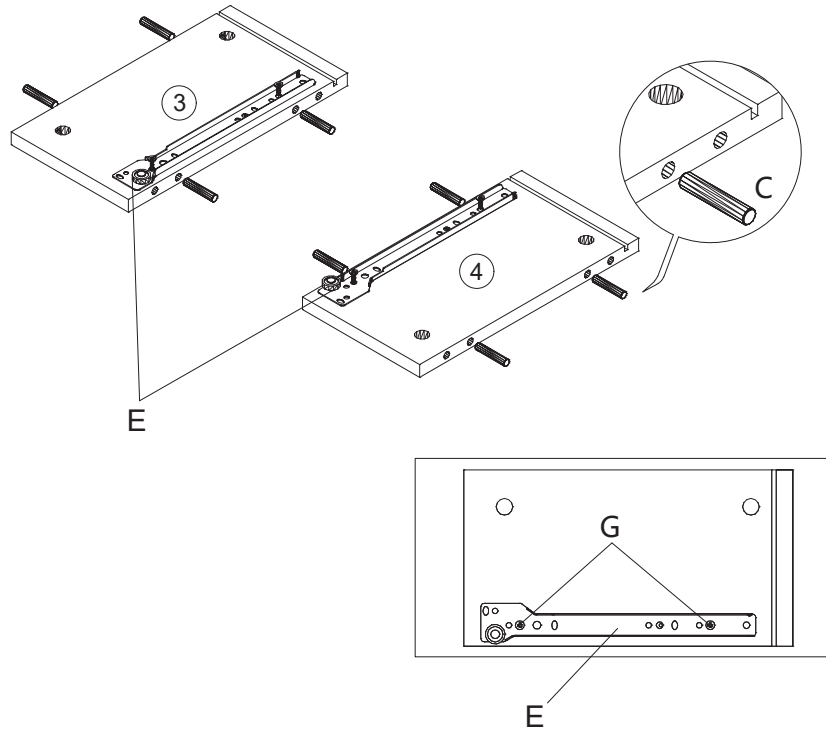
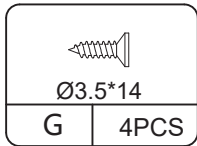
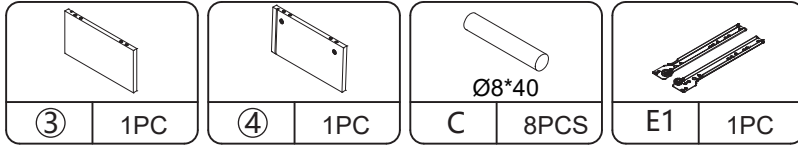
# PRODUCT ASSEMBLY



PRODUCT ASSEMBLY

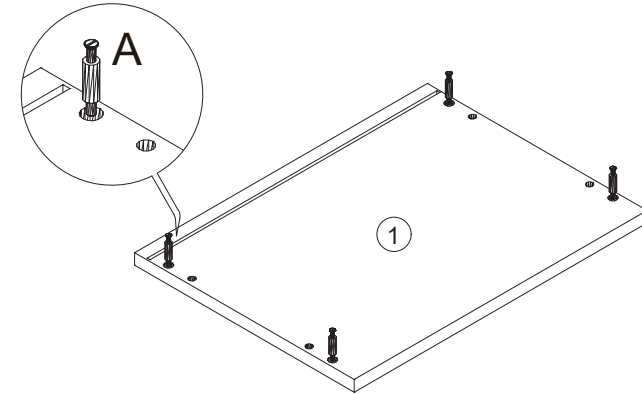
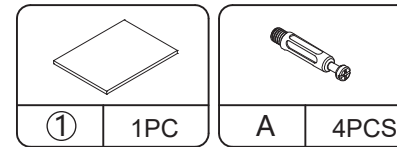
 Check the package contents before getting started !

STEP 1

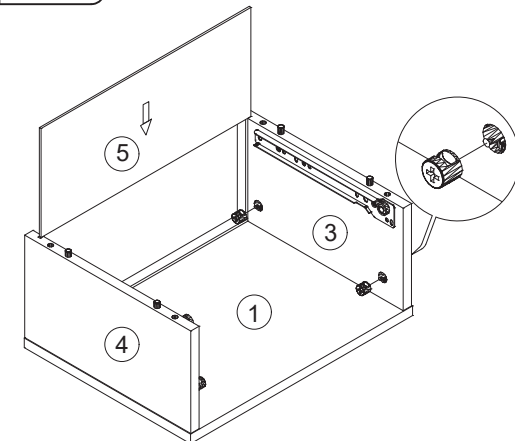
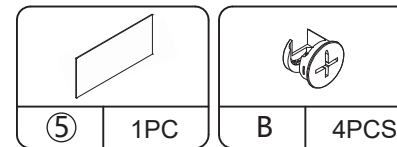


PRODUCT ASSEMBLY

STEP 2

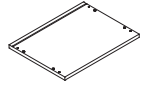





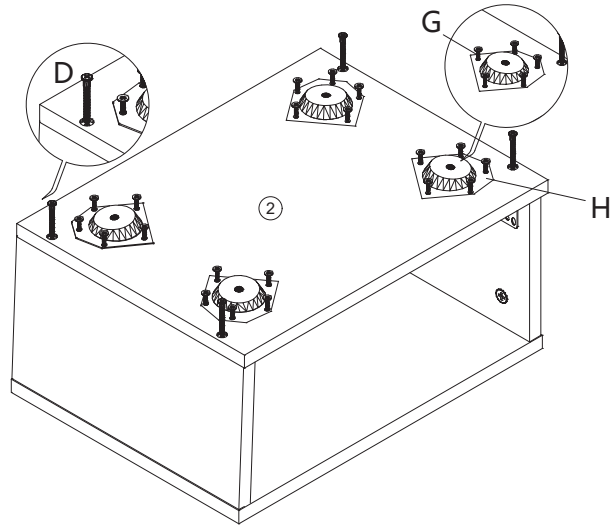
STEP 3




PRODUCT ASSEMBLY

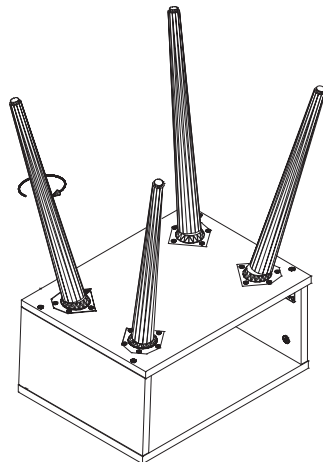
STEP 4

			
② 1PC	Ø5*40 D 4PCS	H 4PCS	Ø3.5*14 G 20PCS



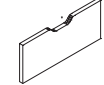
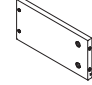
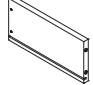
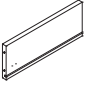
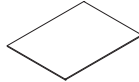

STEP 5

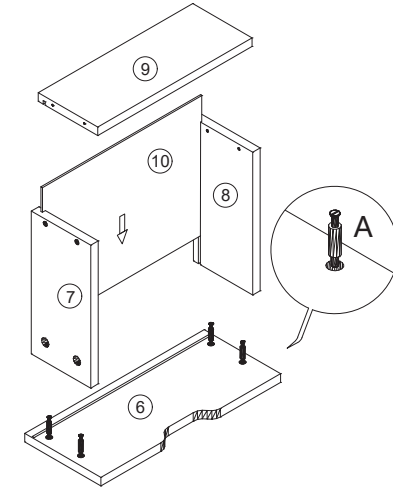

J 4PCS





PRODUCT ASSEMBLY

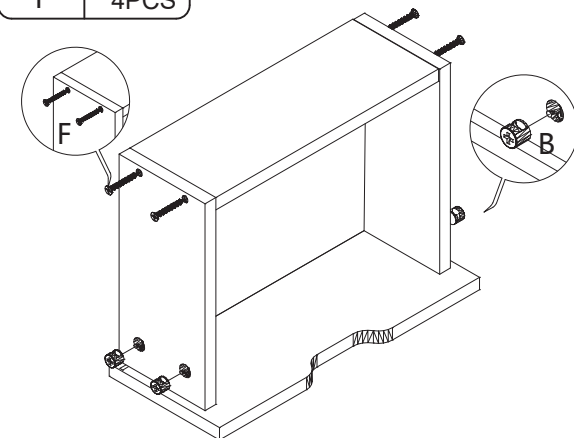
STEP 6

			
⑥ 1PC	⑦ 1PC	⑧ 1PC	⑨ 1PC
			
⑩ 1PC	A 4PCS		



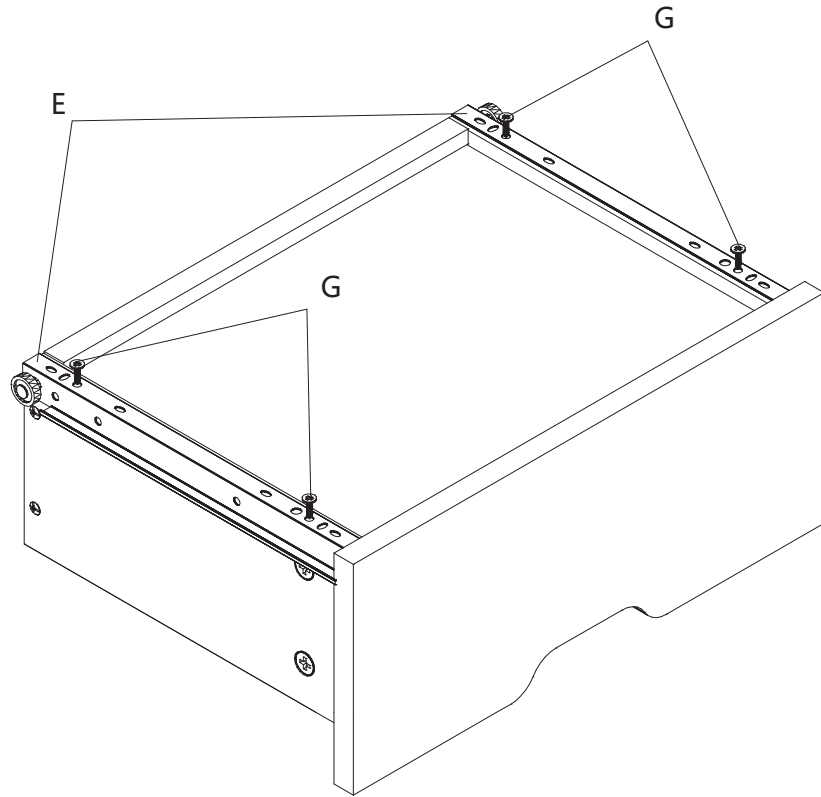
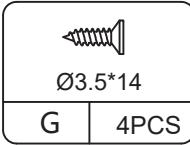
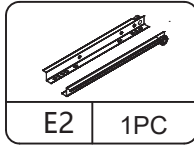
STEP 7

	
B 4PCS	Ø3.5*35 F 4PCS



PRODUCT ASSEMBLY

STEP 8



PRODUCT ASSEMBLY

STEP 9

