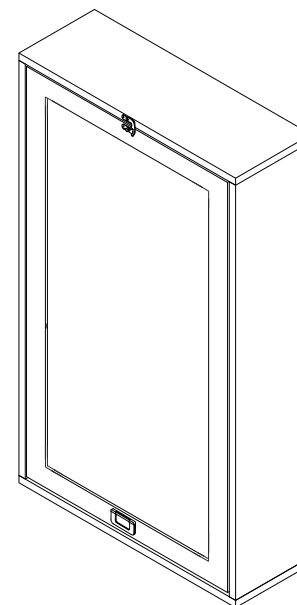


User Manual

JAXPETY



Scan ! To find more surprise!

Model Number: HG61T1062
HG61U1063



You need

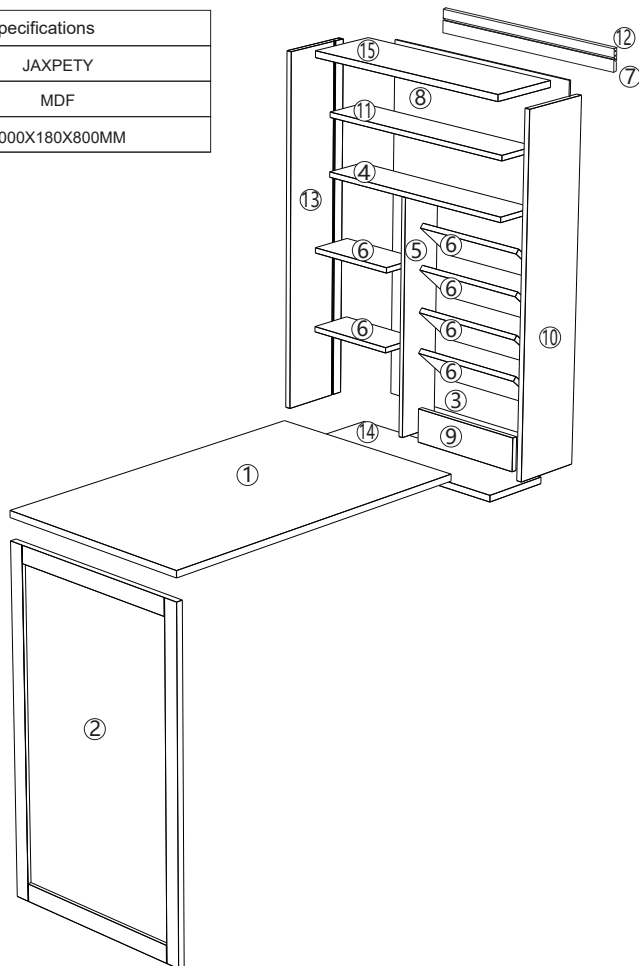
① 2 persons are needed



② Take 30 minutes



Technical Specifications	
Brand	JAXPETY
Material	MDF
Size	5000X180X800MM



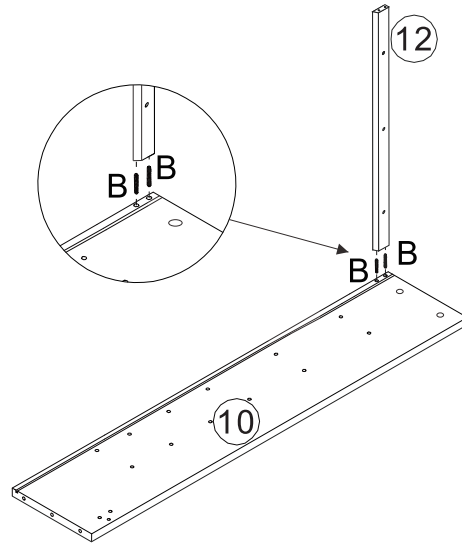
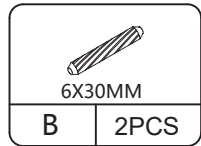
Hardware List

① 1PC	② 1PC	③ 1PC	④ 1PC
⑤ 1PC	⑥ 6PCS	⑦ 1PC	⑧ 1PC
⑨ 1PC	⑩ 1PC	⑪ 1PC	⑫ 1PC
⑬ 1PC	⑭ 1PC	⑮ 1PC	A 6PCS 4X35MM
B 18PCS 6X30MM	C 24PCS 3X12MM	D 24PCS	E 2PCS 3X18MM
F 2PCS	G 2PCS	H 1PC	I 6PCS
J 1PC	K 6PCS 4X35MM	L 6PCS	M 6PCS
N 7PCS	O 1PC		

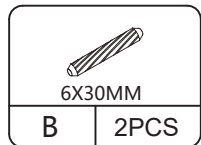
PRODUCT ASSEMBLY

 Check the package contents before getting started !

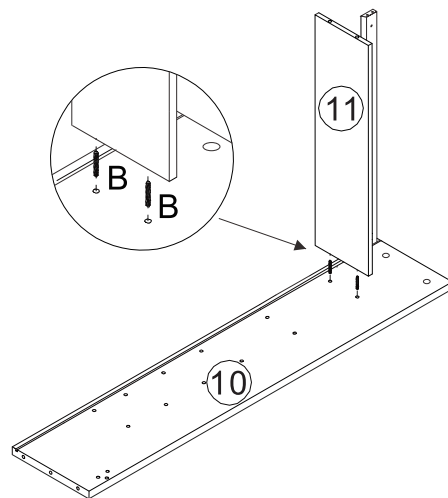
STEP 1



STEP 2

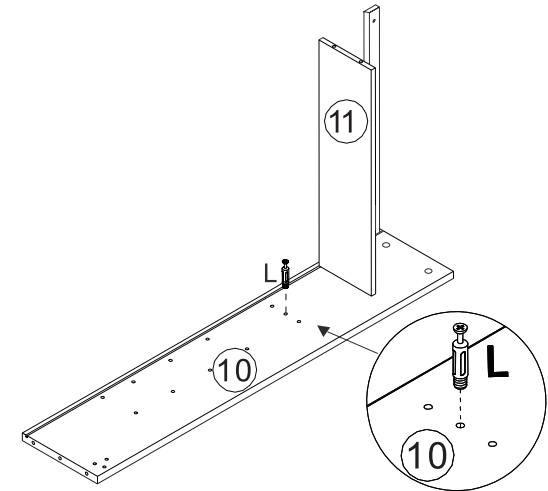
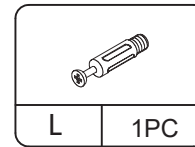


The assembly of these two dowels complete this section

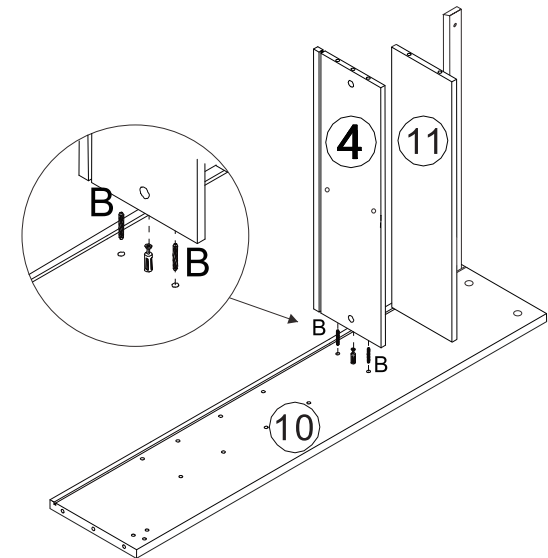
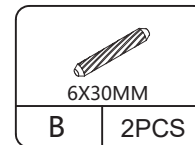


PRODUCT ASSEMBLY

STEP 3

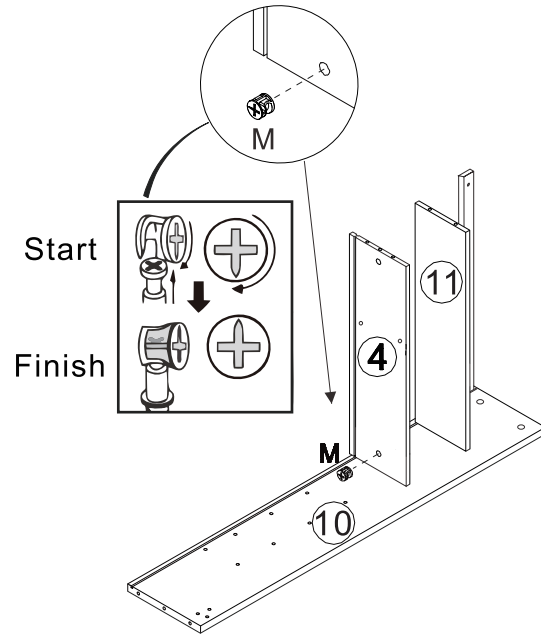
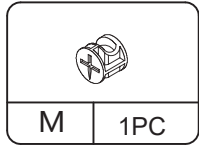


STEP 4

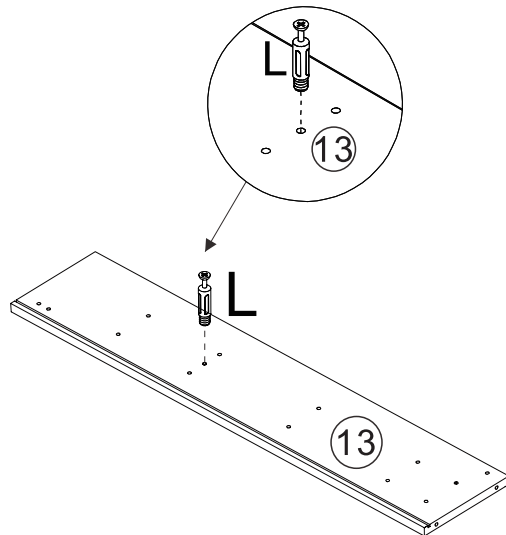
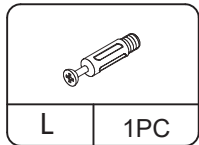


PRODUCT ASSEMBLY

STEP 5

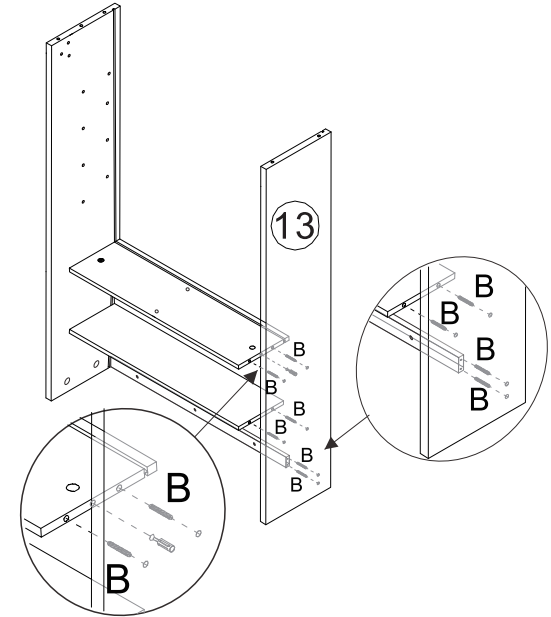
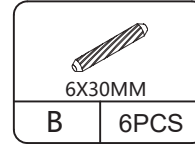


STEP 6

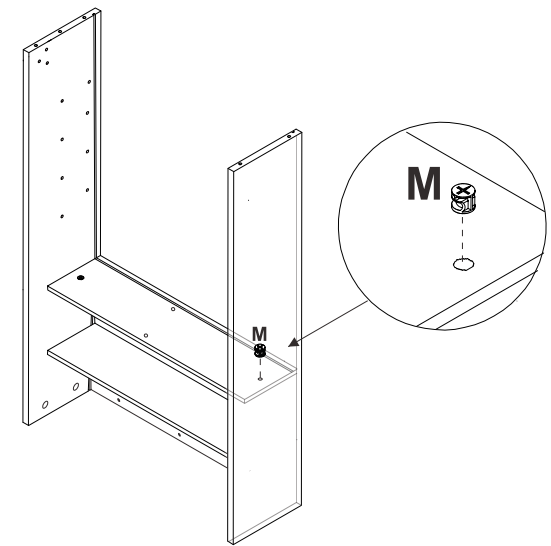
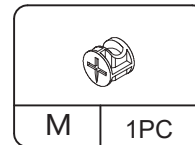


PRODUCT ASSEMBLY

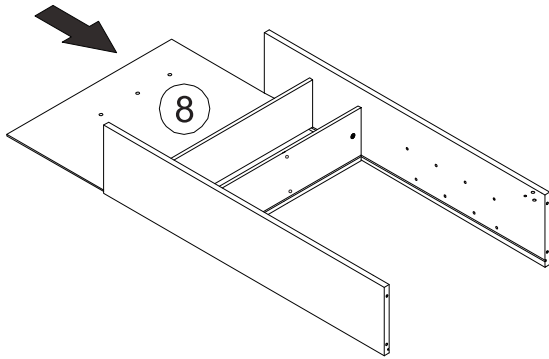
STEP 7



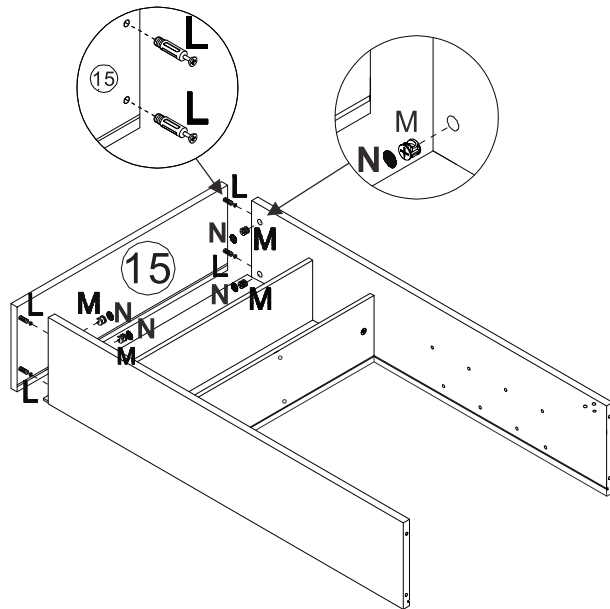
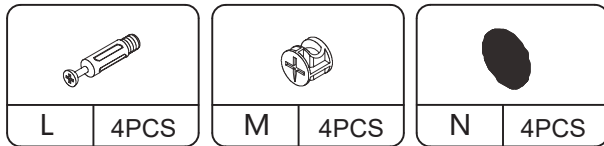
STEP 8



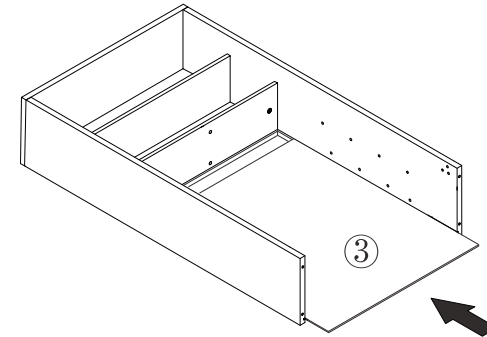
STEP 9



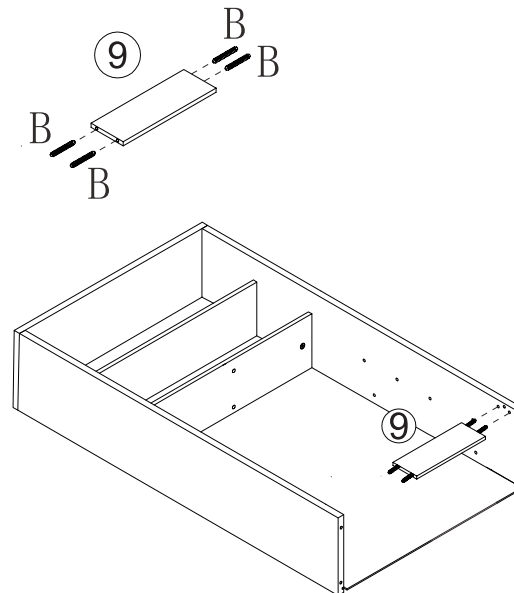
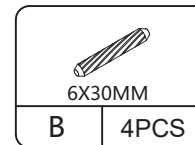
STEP 10



STEP 11

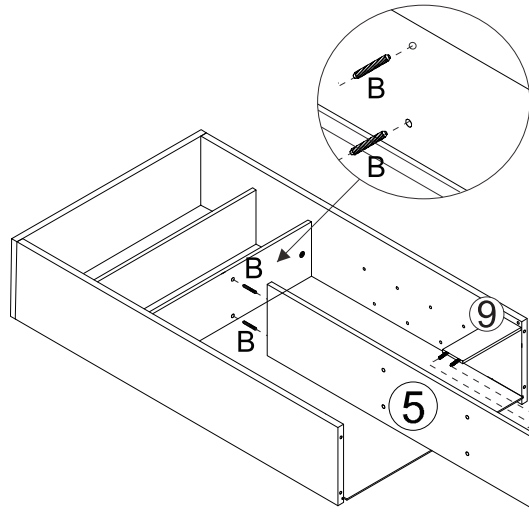
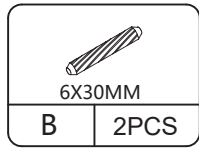


STEP 12

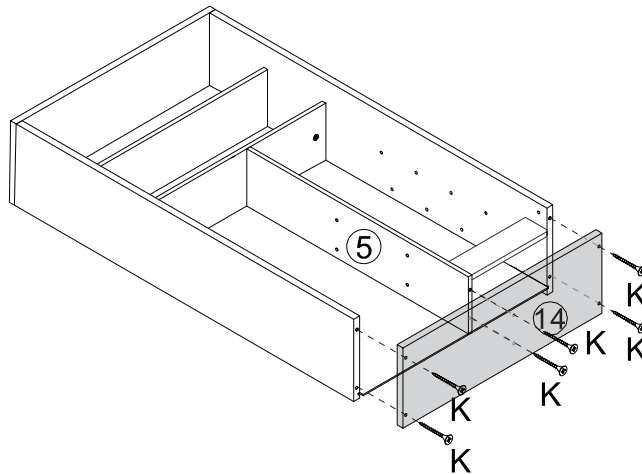
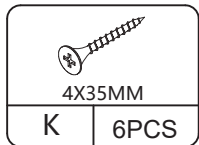


PRODUCT ASSEMBLY

STEP 13

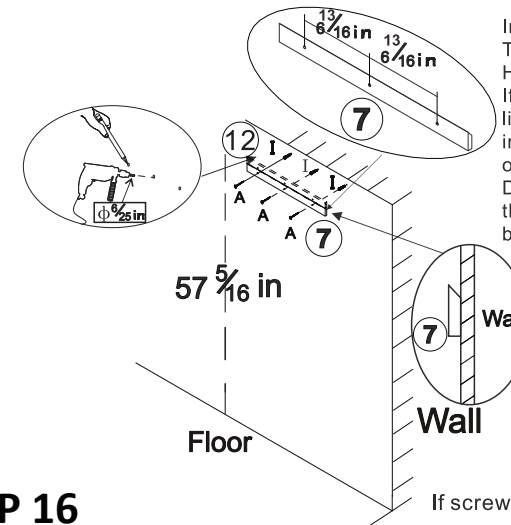
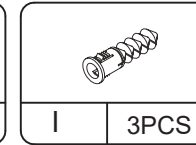
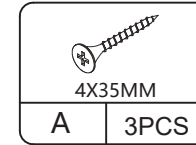


STEP 14



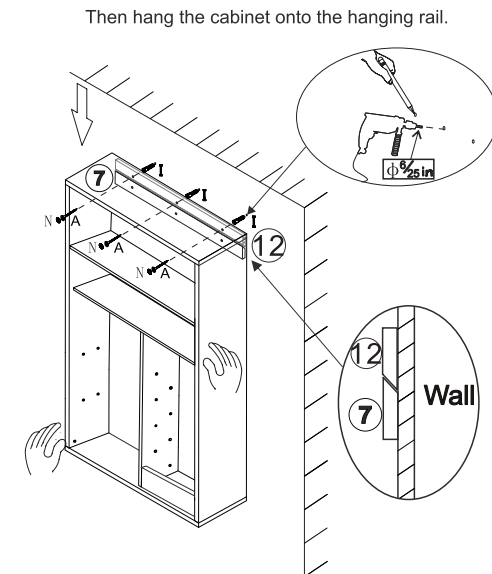
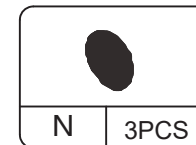
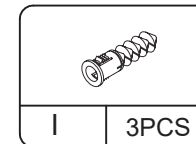
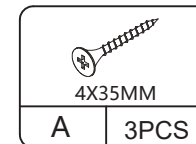
PRODUCT ASSEMBLY

STEP 15



Install the hanging rail (#7) onto the wall first. There are 2 Pre-drilled holes provided on the Hanging Rail for drilling directly into the wall. If the location of these pre-drilled holes do not line up with your studs, please drill new holes into the hanging rail, to line up with the location of your studs. Due to the weight of the desk, it is imperative that the hanging rail, and therefore the desk, be attached to the studs.

STEP 16

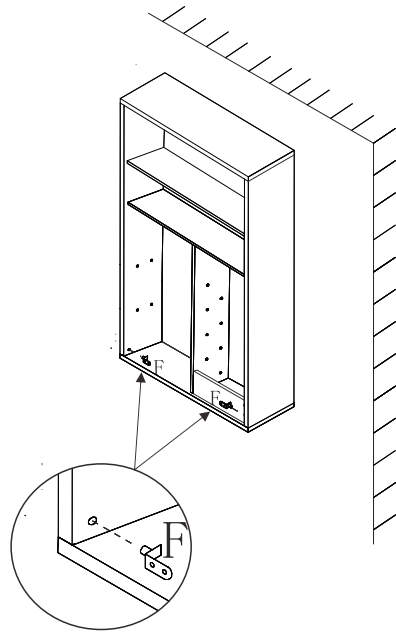
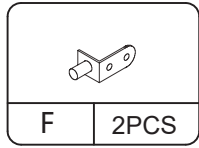


If screwing into stud, no need for anchor.

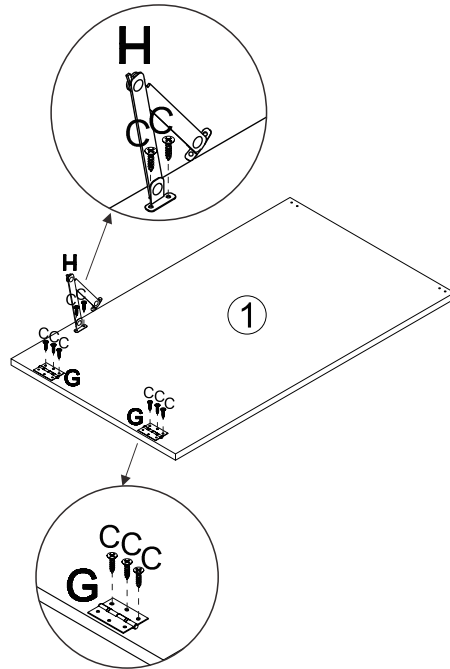
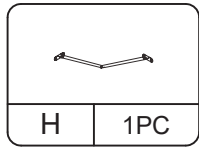
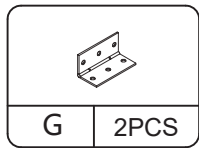
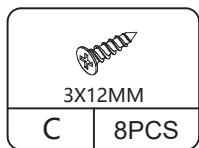
Then hang the cabinet onto the hanging rail.

PRODUCT ASSEMBLY

STEP 17

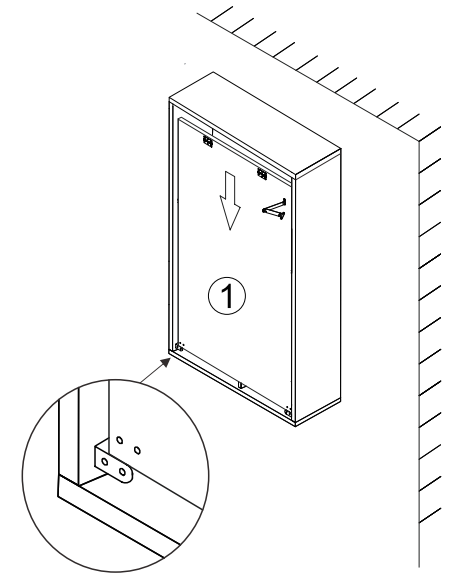


STEP 18

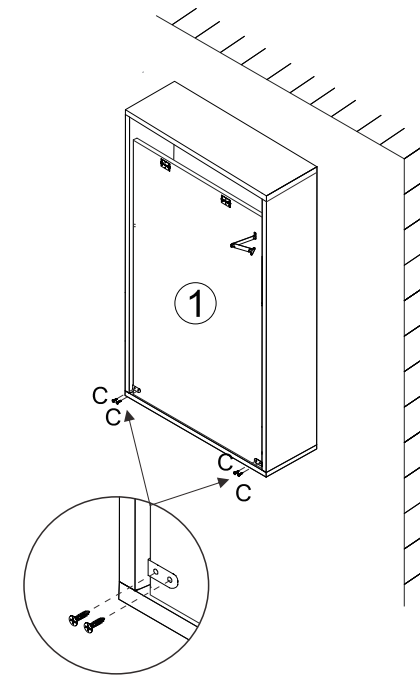
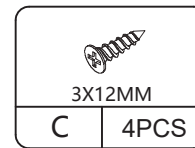


PRODUCT ASSEMBLY

STEP 19

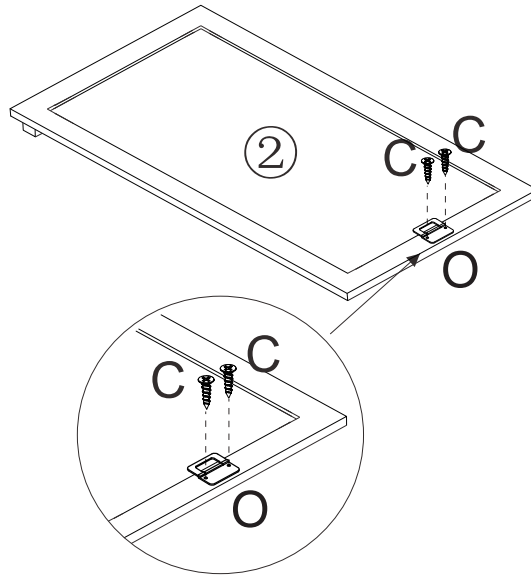
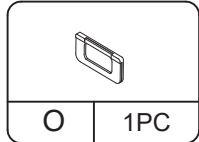
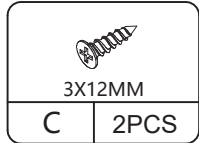


STEP 20

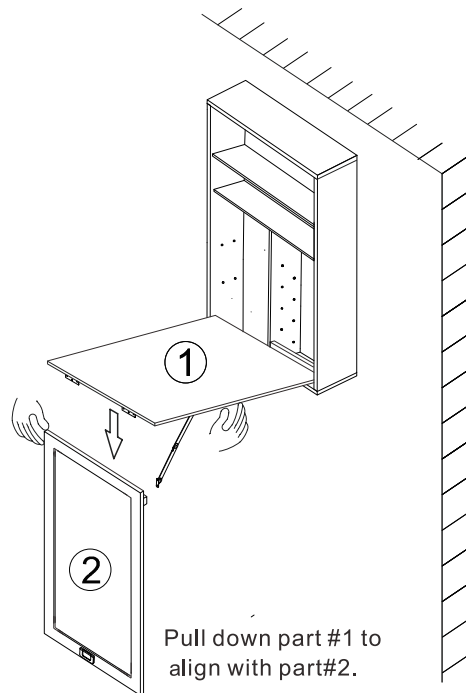


PRODUCT ASSEMBLY

STEP 21

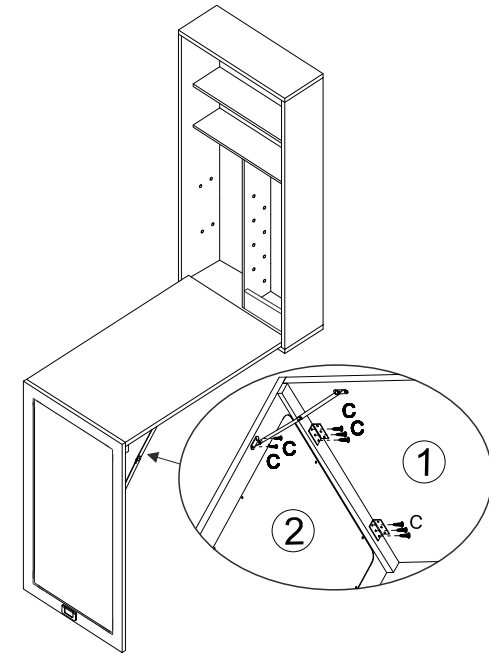
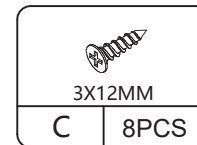


STEP 22

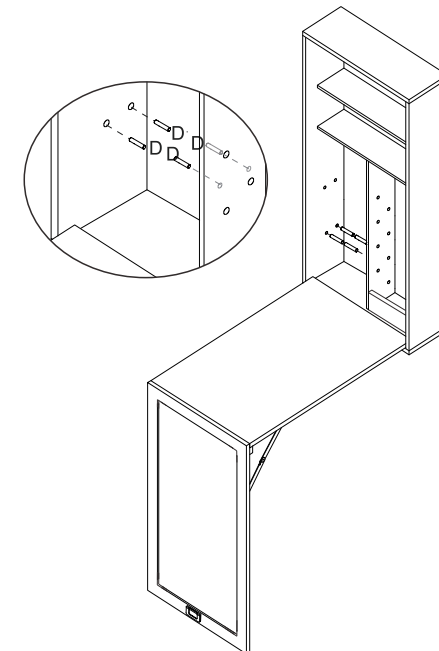
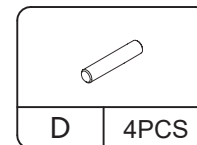


PRODUCT ASSEMBLY

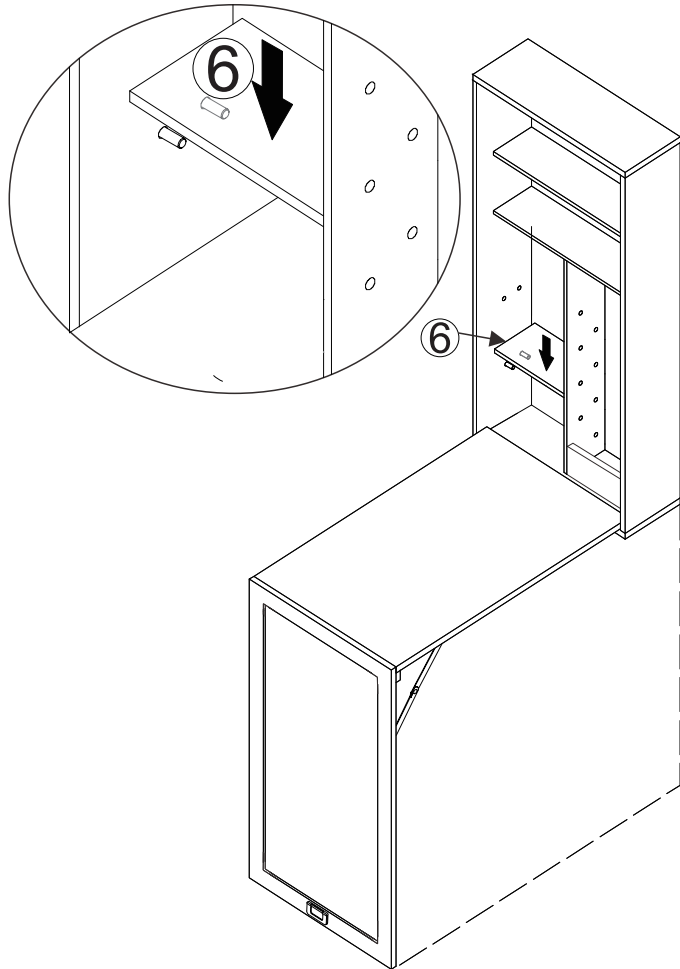
STEP 23



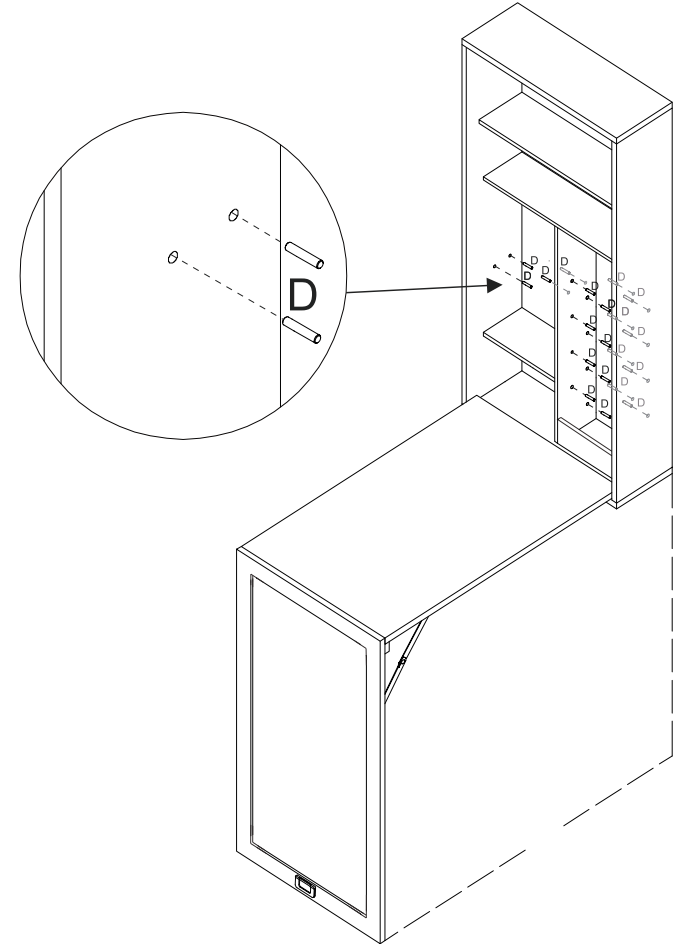
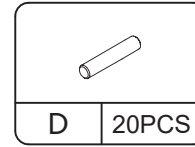
STEP 24



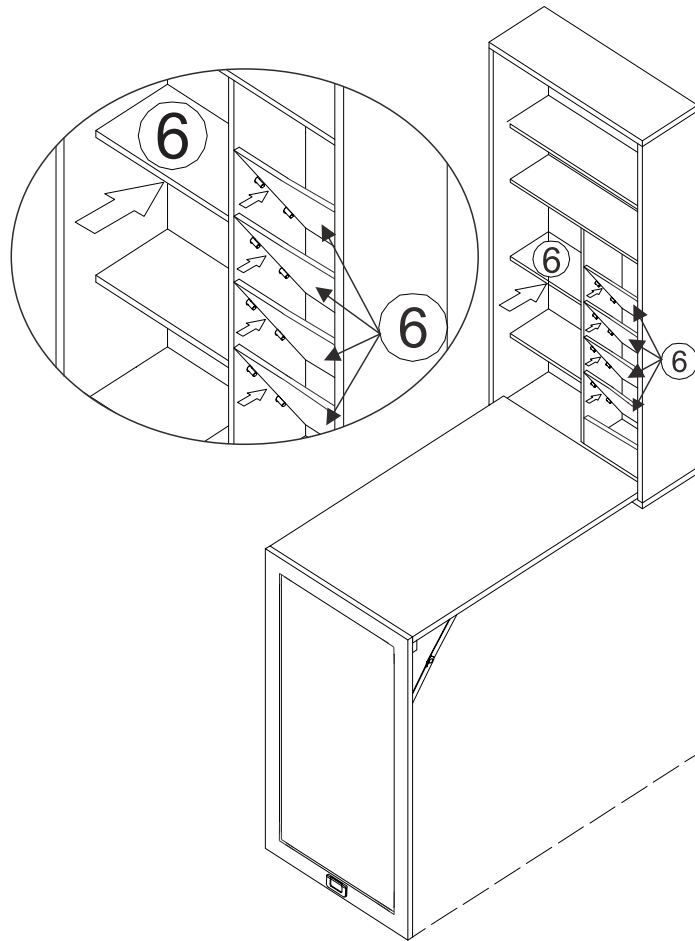
STEP 25



STEP 26



STEP 27



STEP 28

