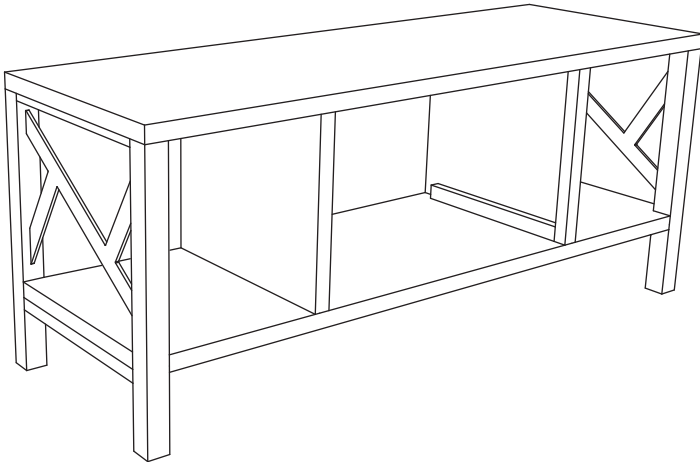
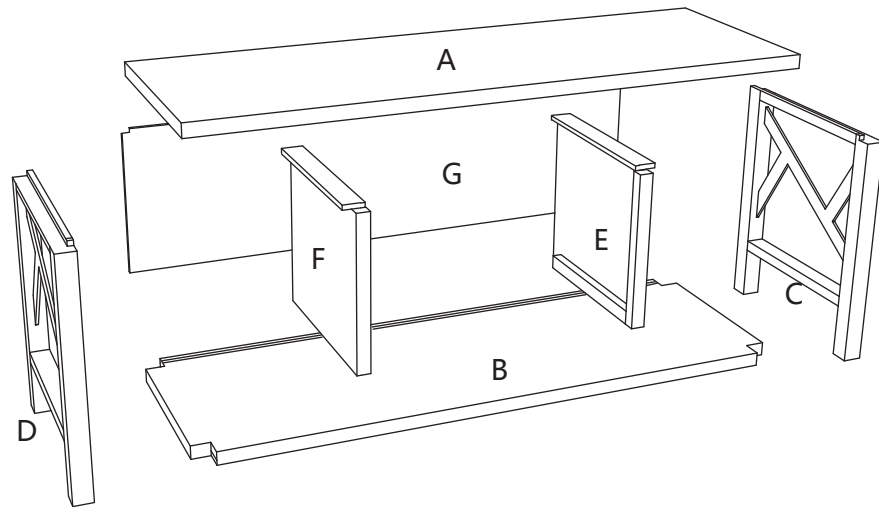
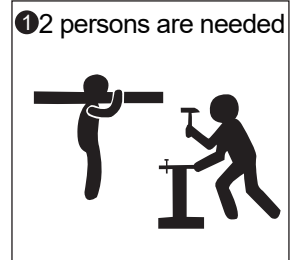


User Manual

JAXPETY



You need



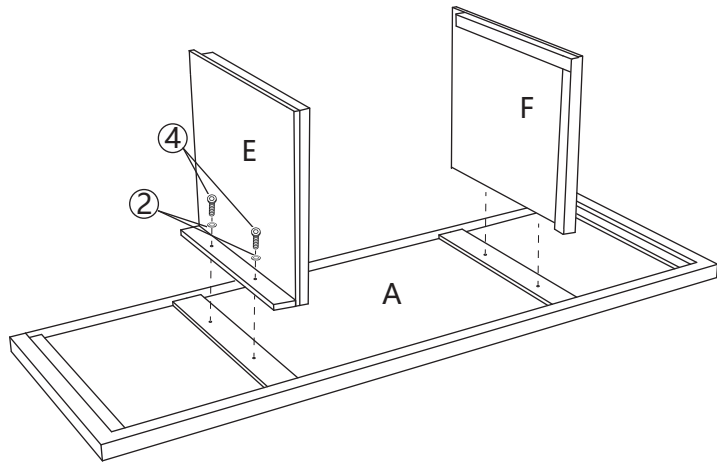
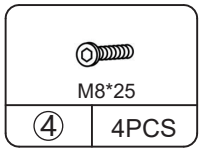
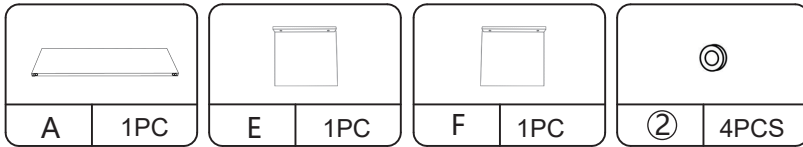
Hardware List

	A	1PC		B	1PC		C	1PC		D	1PC
	E	1PC		F	1PC		G	1PC		①	8PCS
	②	16PCS		③	4PCS		④	4PCS		⑤	1PC

PRODUCT ASSEMBLY

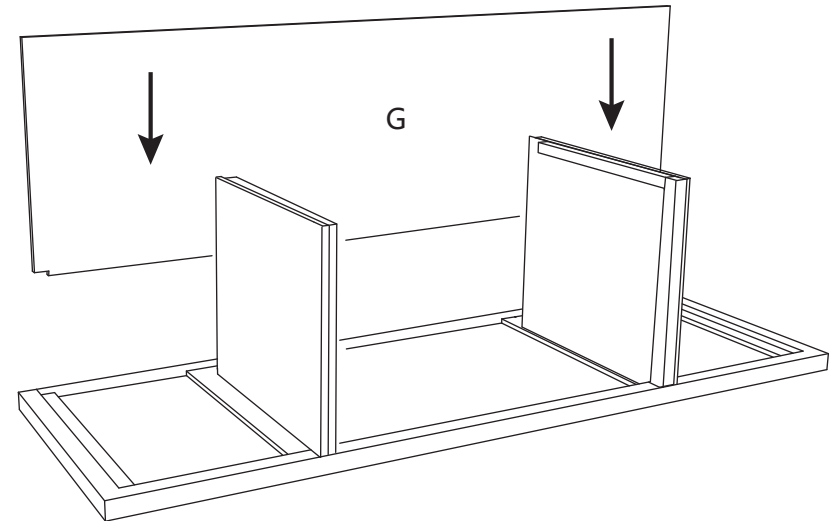
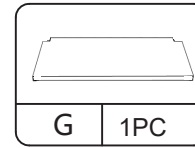
! Check the package contents before getting started !

STEP 1







PRODUCT ASSEMBLY

STEP 2

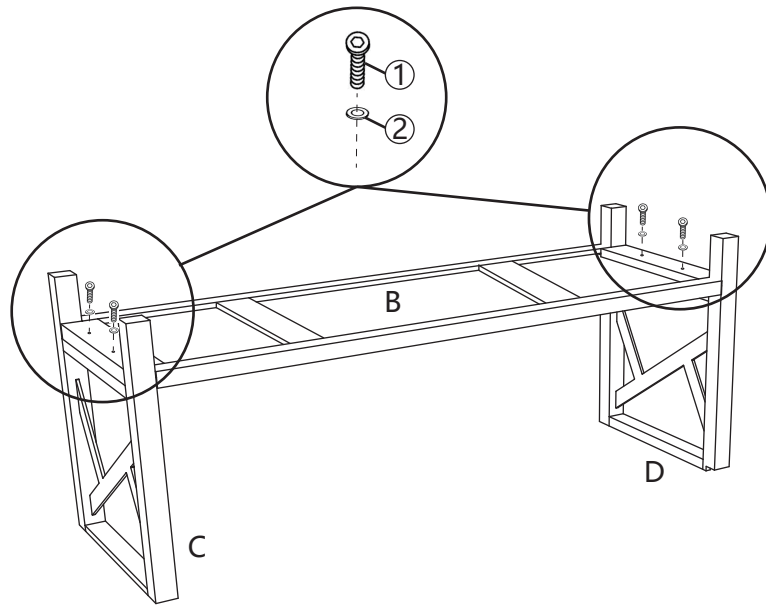


PRODUCT ASSEMBLY

STEP 3




			 M8*30
B 1PC	C 1PC	D 1PC	① 4PCS


② 4PCS



PRODUCT ASSEMBLY

STEP 4

 M8*30		 M8*35
① 4PCS	② 8PCS	③ 4PCS

