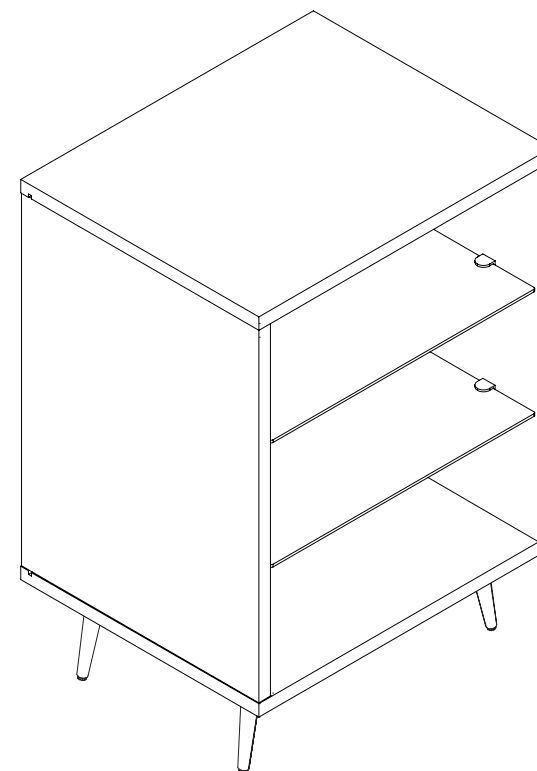


User Manual

JAXPETY



JAXPETY

Model Number: **HG61T1242**
HG61U1243

You need

1 Tools required

A Phillips head screwdriver is required for the assembly of this product. (not included)

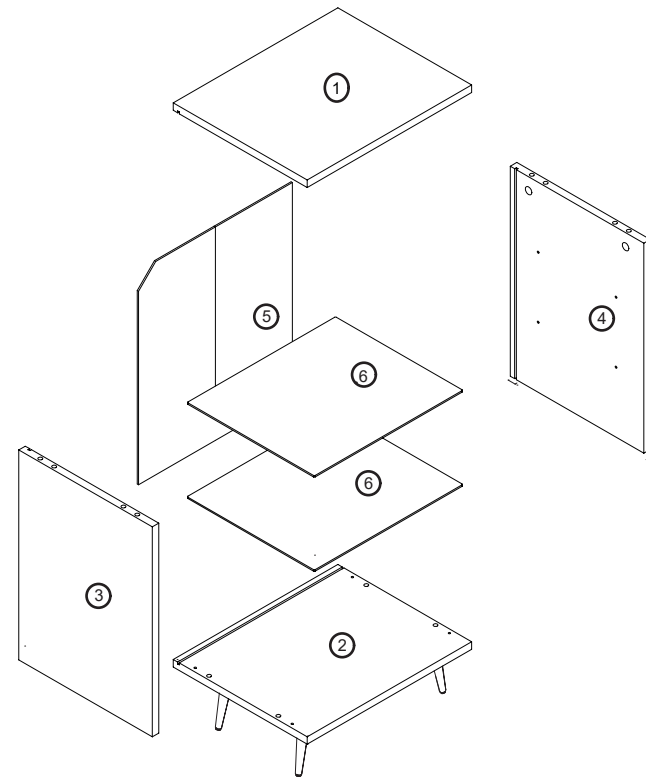
Power tools should not be used to assemble this product.

2 2 persons are needed

Hardware List

 380*309*15mm ① 1PC	 380*309*15mm ② 1PC	 420*308*15mm ③ 1PC	 420*308*15mm ④ 1PC	 428*357*3mm ⑤ 1PC
 341*293*4mm ⑥ 2PCS	 ⑦ 4PCS	 A 4PCS	 B 4PCS	 C 8PCS
 D 4PCS	 E 4PCS	 F 4SETS	 G 22PCS	 H 4PCS
 I 8PCS	 J 1SET			

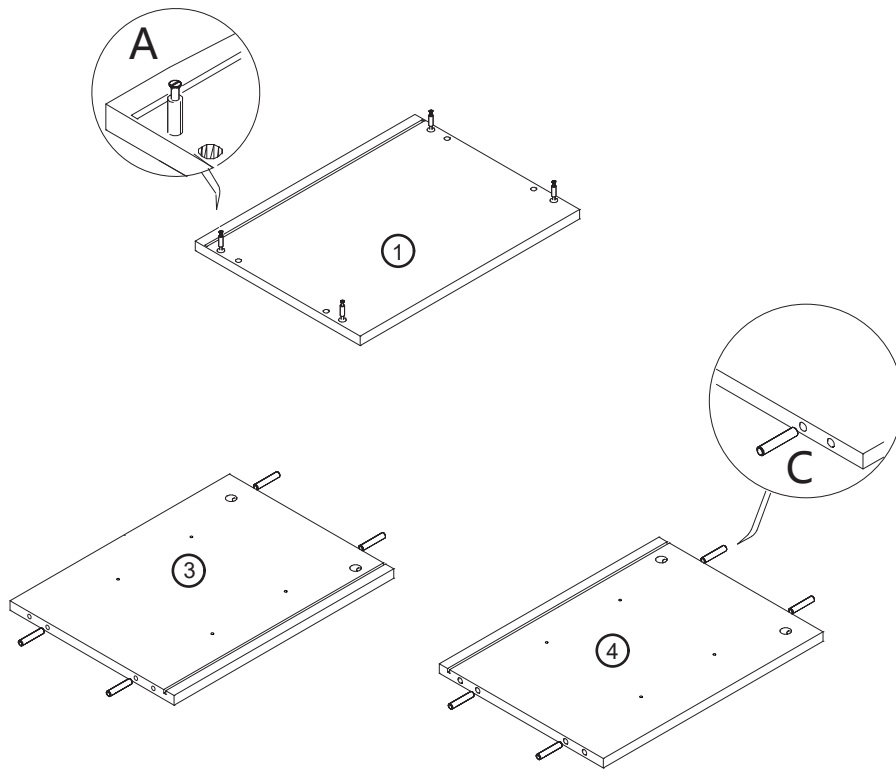
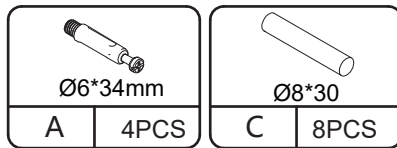
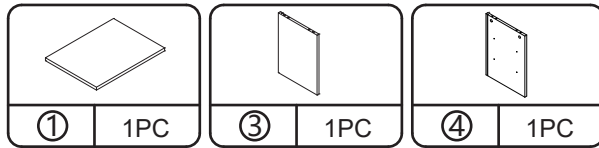
PRODUCT ASSEMBLY



PRODUCT ASSEMBLY

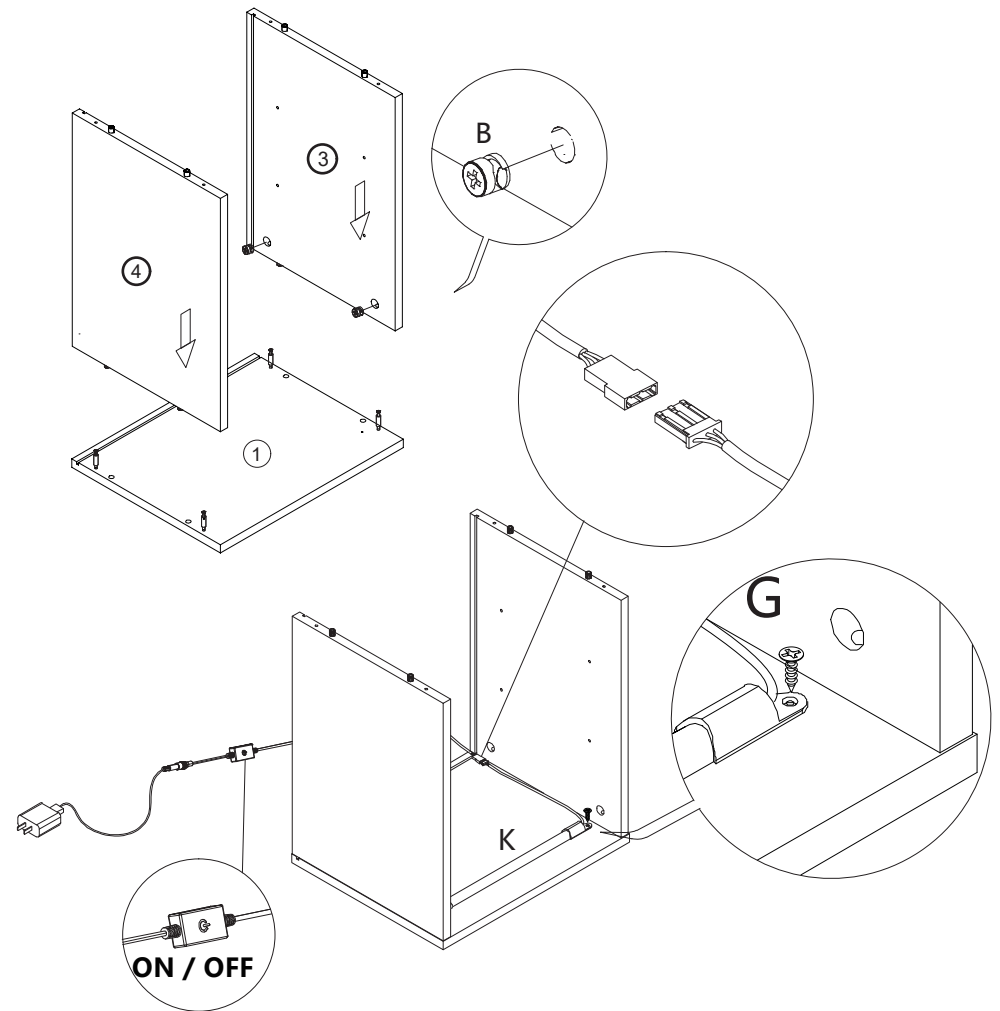
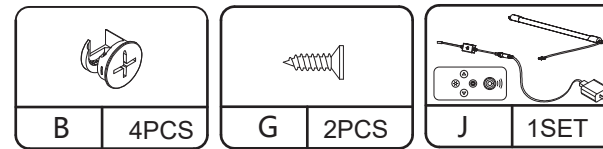
! Check the package contents before getting started !

STEP 1



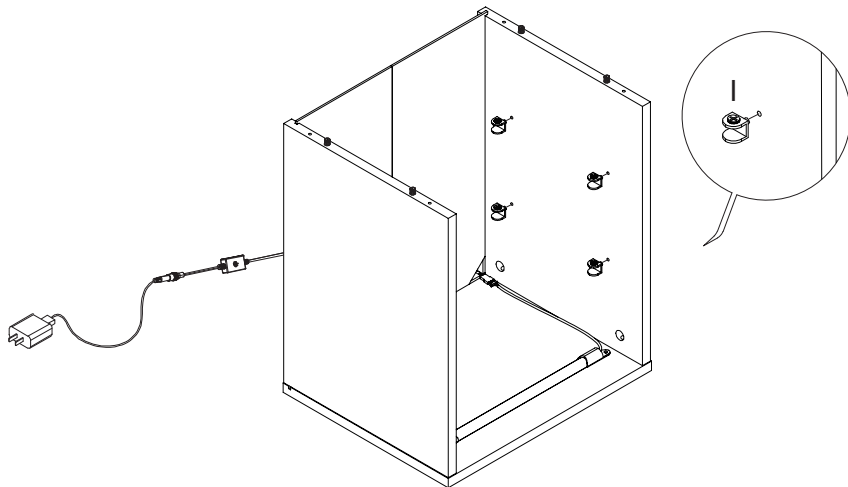
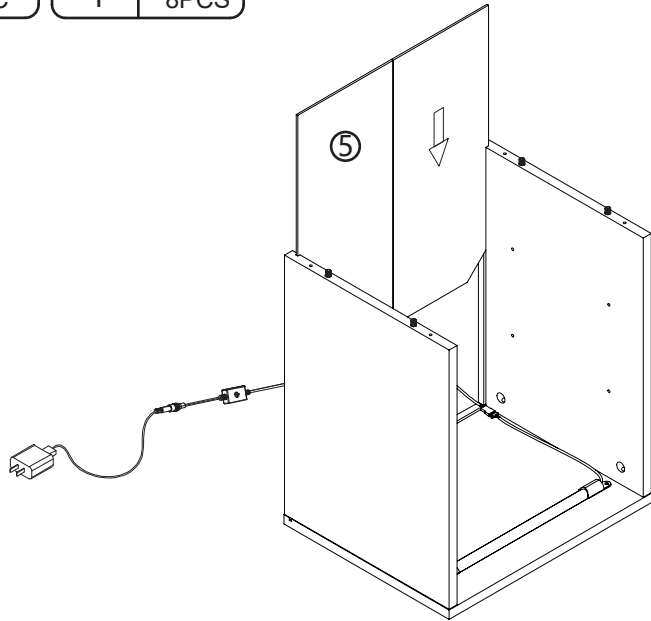
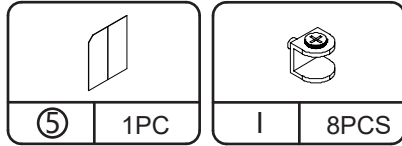
PRODUCT ASSEMBLY

STEP 2



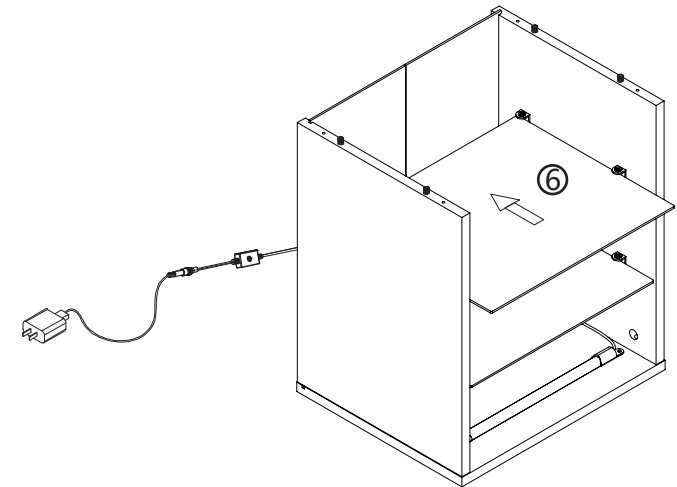
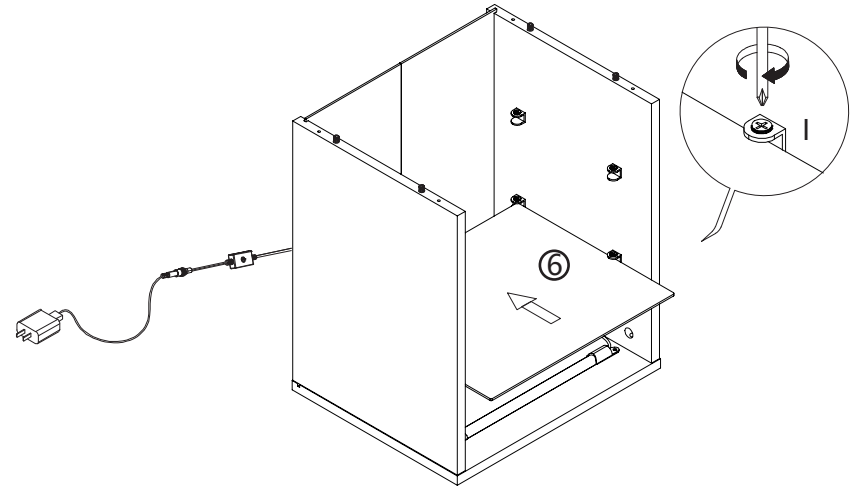
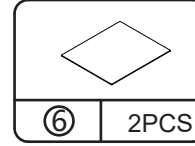
PRODUCT ASSEMBLY

STEP 3



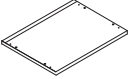


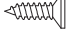
PRODUCT ASSEMBLY

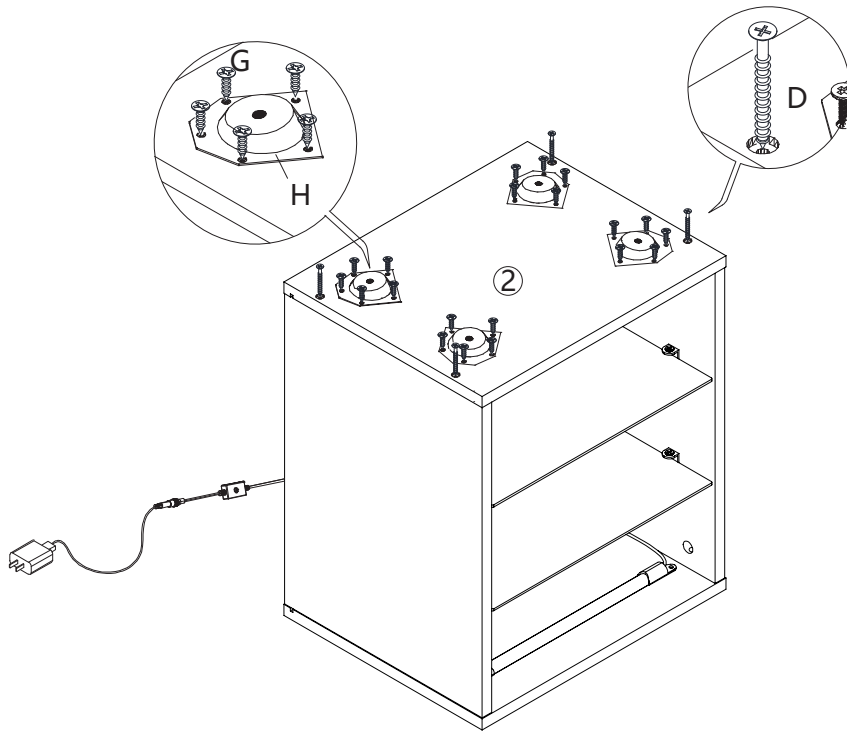
STEP 4



PRODUCT ASSEMBLY


STEP 5

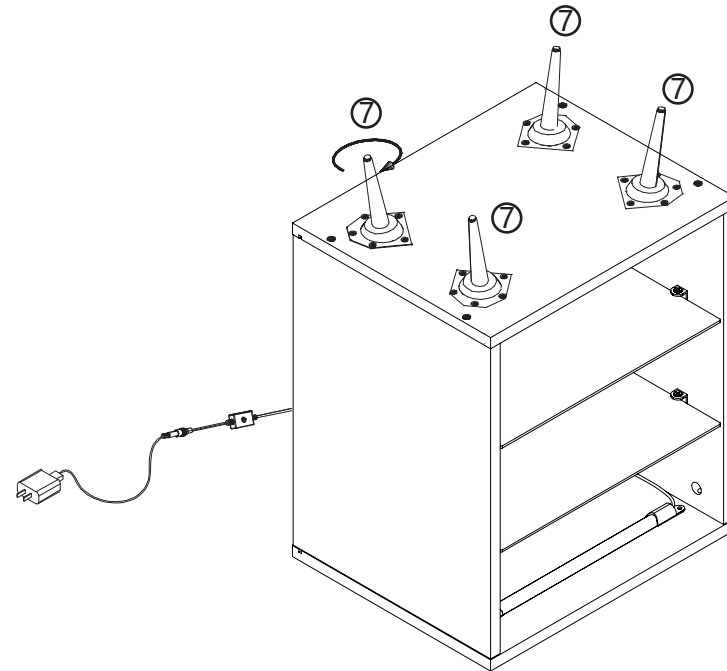
			
② 1PC	Ø4*45mm D 4PCS	H 4PCS	Ø3.5*14mm G 20PCS



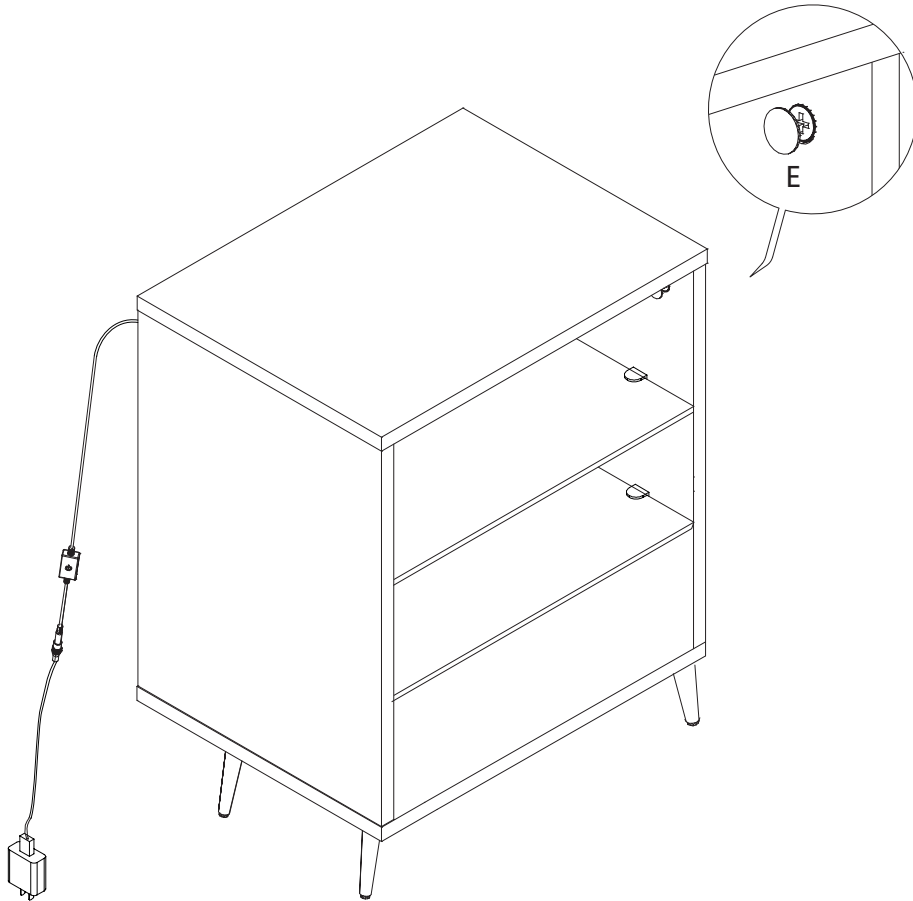
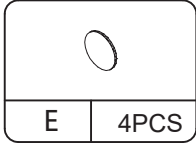
PRODUCT ASSEMBLY

STEP 6

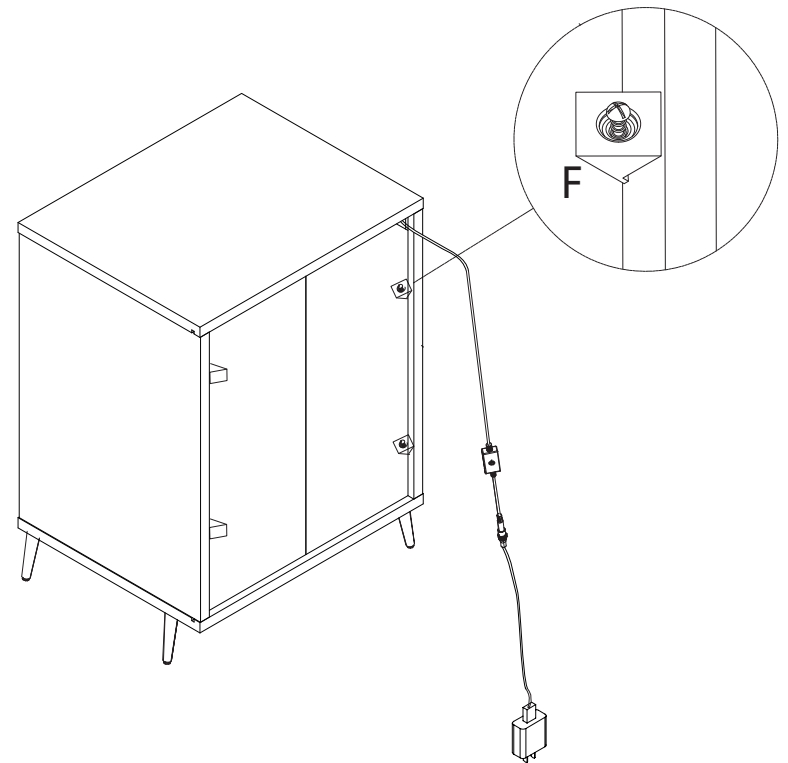
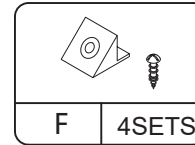

⑦ 4PCS



STEP 7



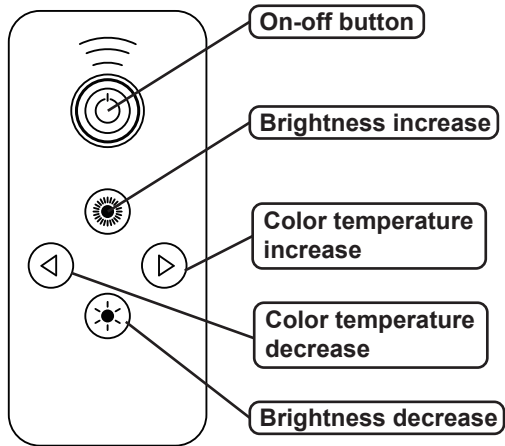
STEP 8



1. Remote Control

Press the on-off button to control the LED light strip.

If it doesn't work, please pair the remote control and the light: Long press the on-off button for 3 seconds within 10 seconds after the power is connected. The light will flash 3 times if it pairs successfully.



2. Control by the on-off button on the cable

