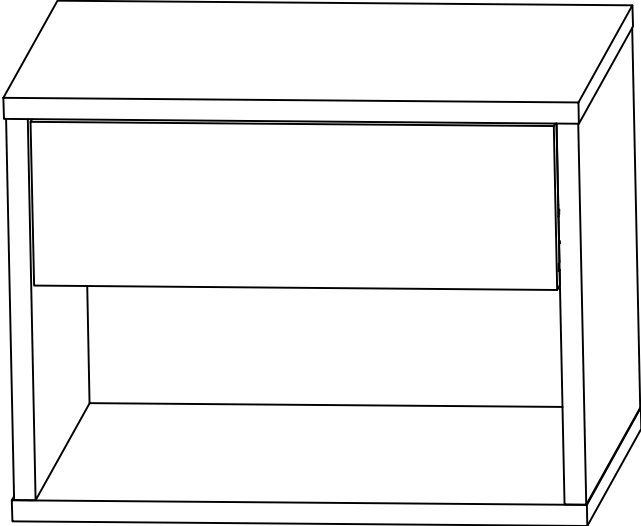


# User Manual

**JAXPETY**



Model Number: HG61U1279

**JAXPETY**

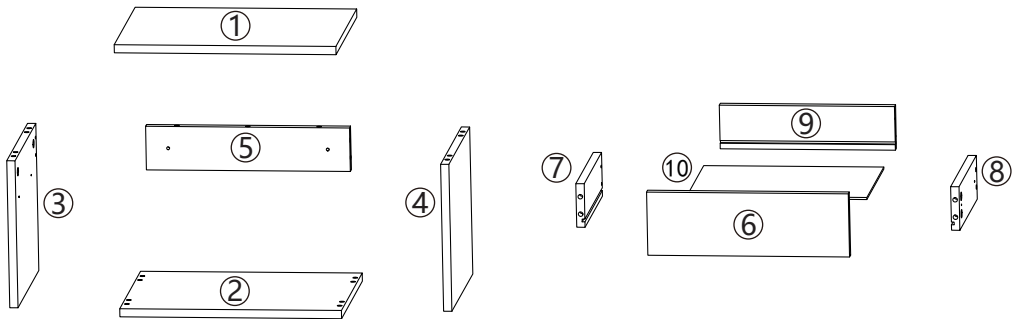
# You need

**① Tools required**


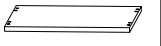

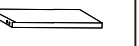
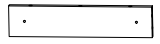

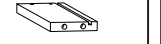


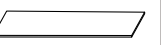
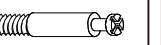







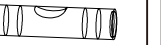
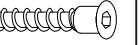

Double-headed screwdriver is required for the assembly of this product. (not included)

Power tools should not be used to assemble this product.

**② 1 person is needed**



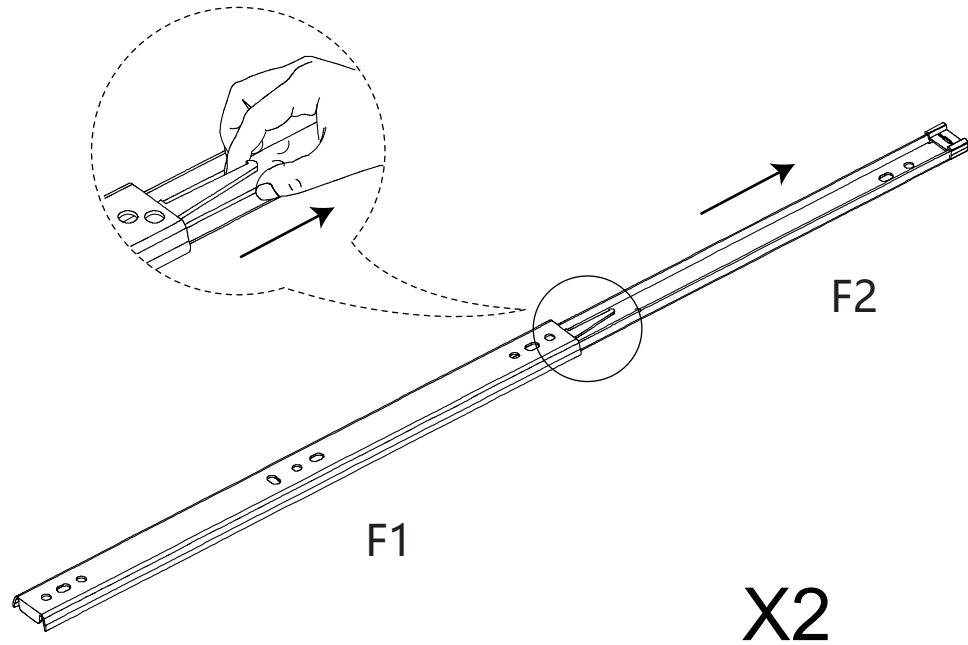
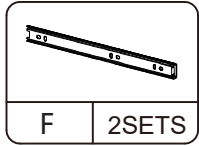
# Hardware List

 400x300x15mm ①   1PC	 400x300x15mm ②   1PC	 300x270x15mm ③   1PC	 300x270x15mm ④   1PC
 370x80x15mm ⑤   1PC	 365x115x15mm ⑥   1PC	 250x80x15mm ⑦   1PC	 250x80x15mm ⑧   1PC
 315x80x15mm ⑨   1PC	 325x245x3.8mm ⑩   1PC	 Ø6x35mm A   14PCS	 Ø15x12mm B   14PCS
 Ø8x30mm C   9PCS	 M3.5x14mm D   8PCS	 M4x35mm E   4PCS	 F   2SETS
 M4x45mm G   2PCS	 H   2SETS	 J   1PC	 M7x40mm K   4PCS
 M4 L   1PC			

PRODUCT ASSEMBLY

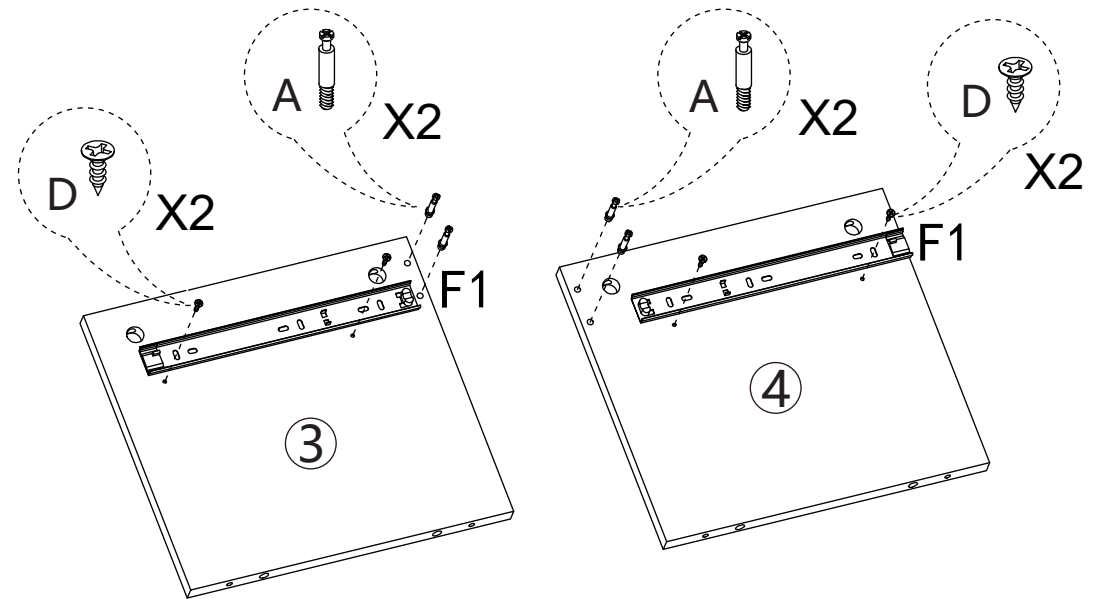
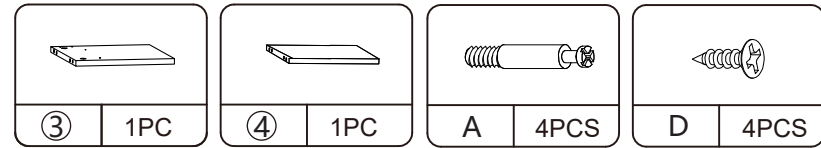
 Check the package contents before getting started !

STEP 1



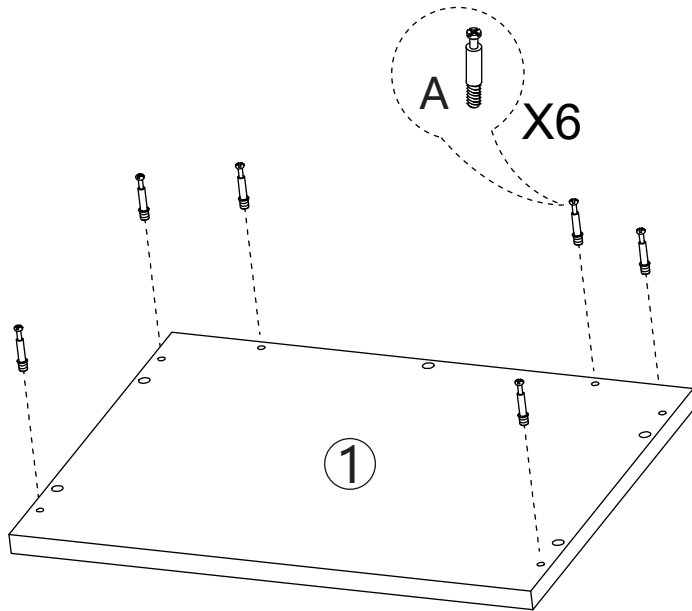
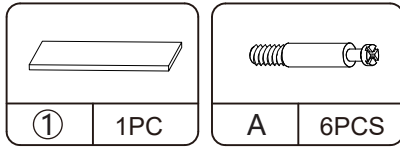
PRODUCT ASSEMBLY

STEP 2



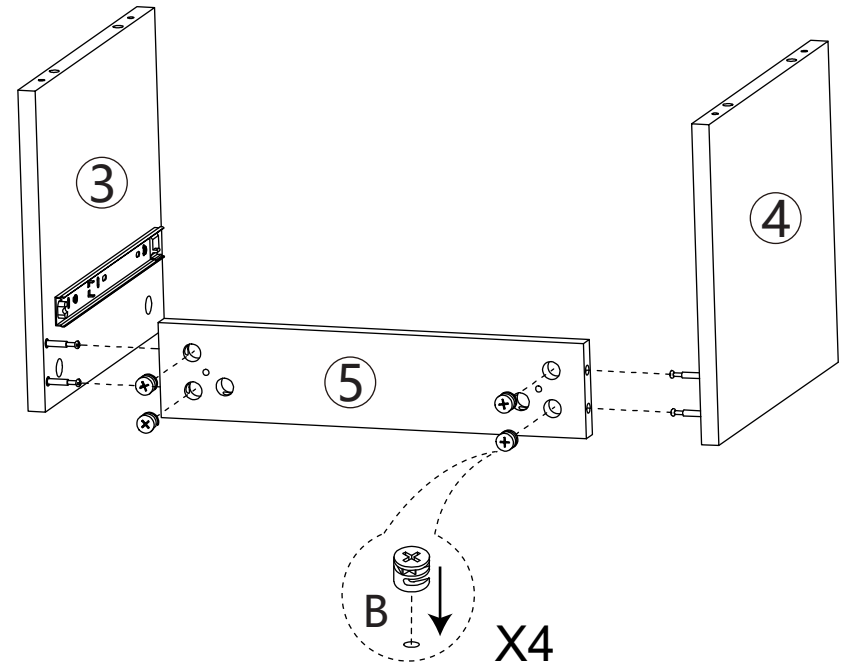
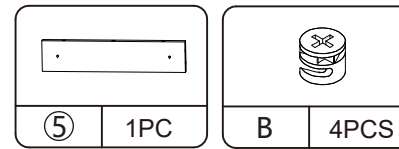
PRODUCT ASSEMBLY

STEP 3



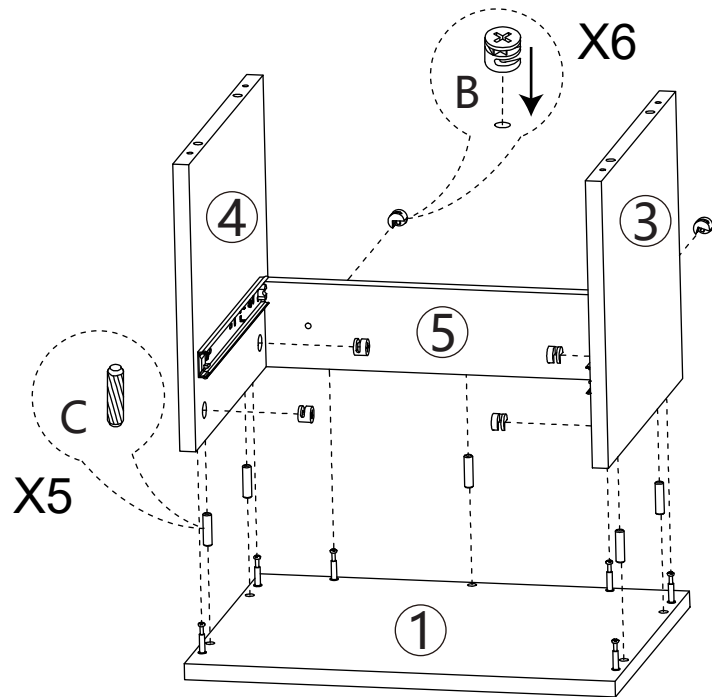
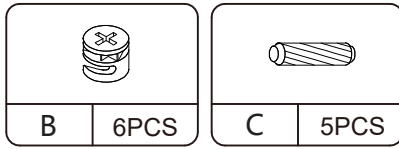
PRODUCT ASSEMBLY

STEP 4



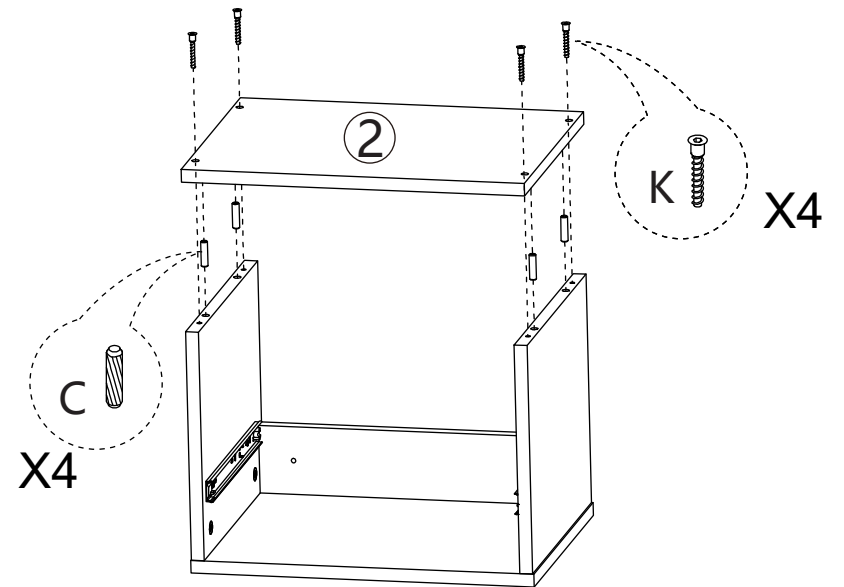
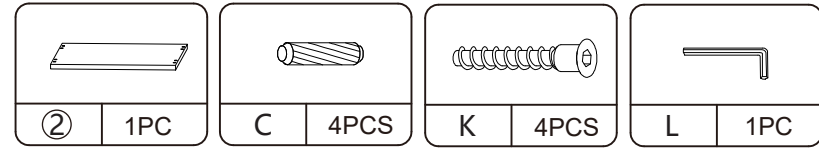
PRODUCT ASSEMBLY

STEP 5



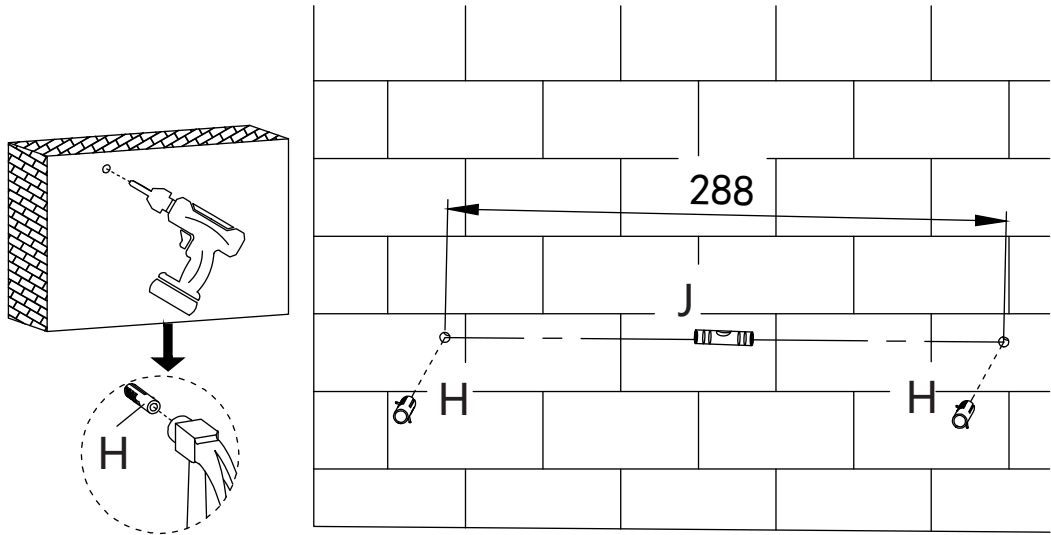
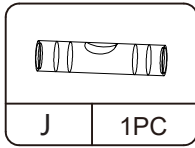
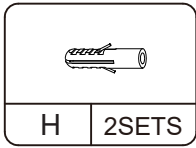
PRODUCT ASSEMBLY

STEP 6



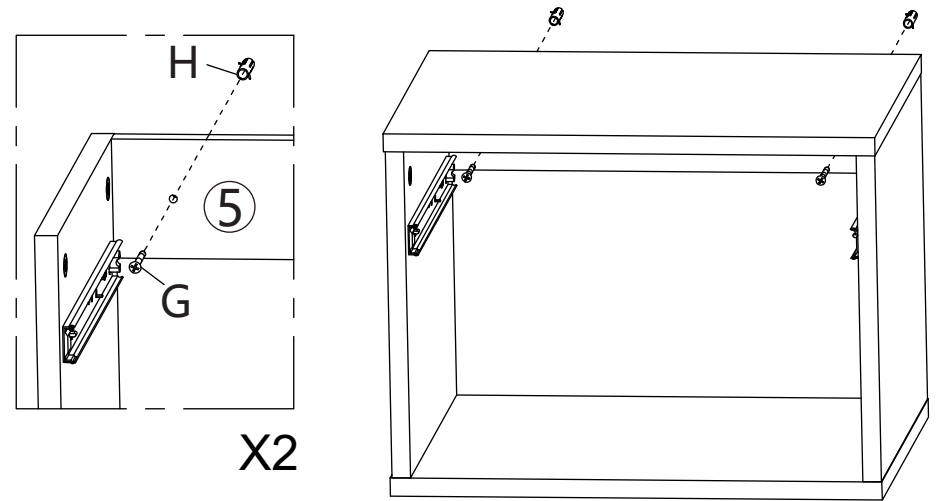
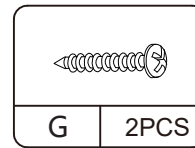
PRODUCT ASSEMBLY

STEP 7



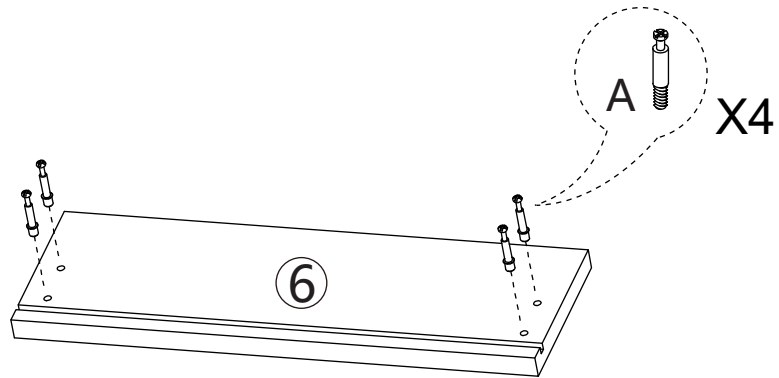
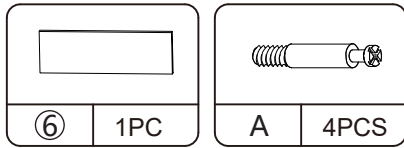
PRODUCT ASSEMBLY

STEP 8



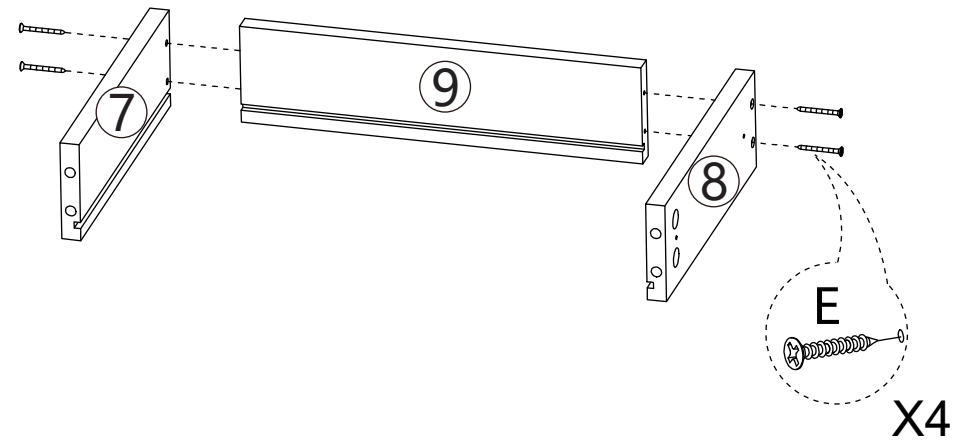
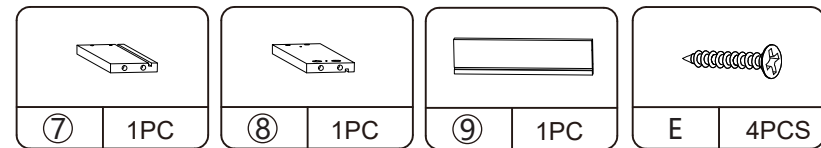
PRODUCT ASSEMBLY

STEP 9



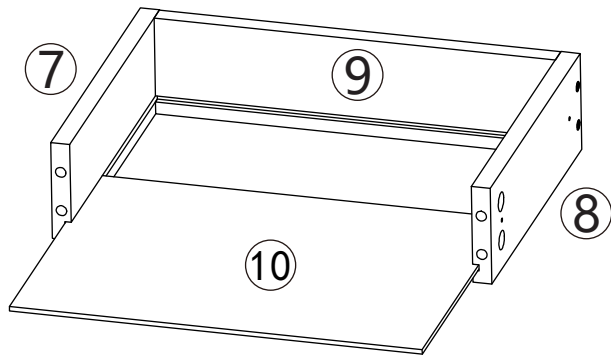
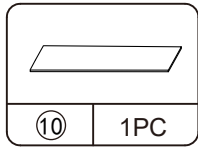
PRODUCT ASSEMBLY

STEP 10



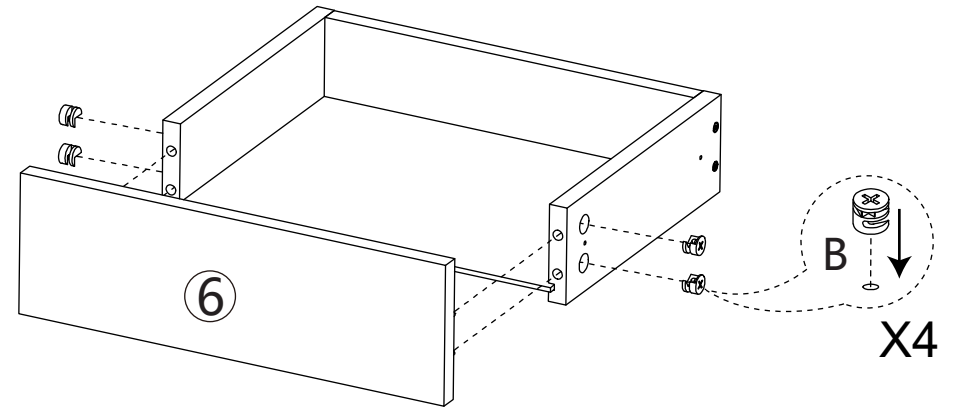
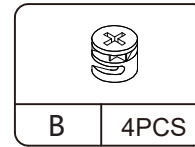
PRODUCT ASSEMBLY

STEP 11



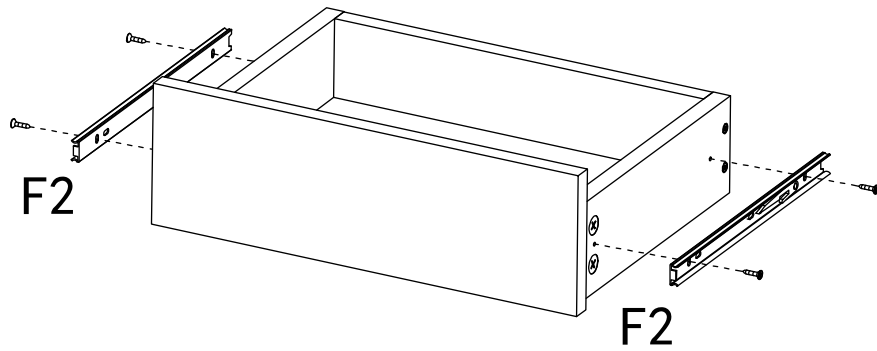
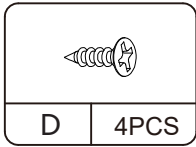
PRODUCT ASSEMBLY

STEP 12





STEP 13



STEP 14

