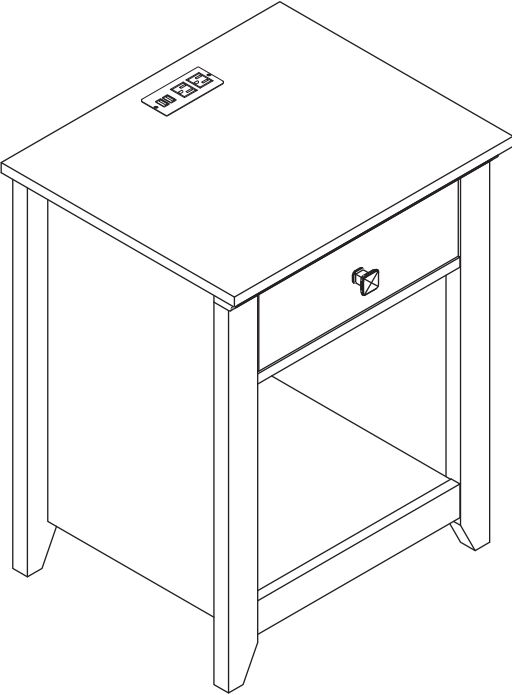


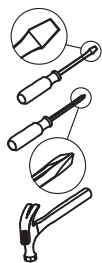
User Manual

JAXPETY



JAXPETY

Before You Start

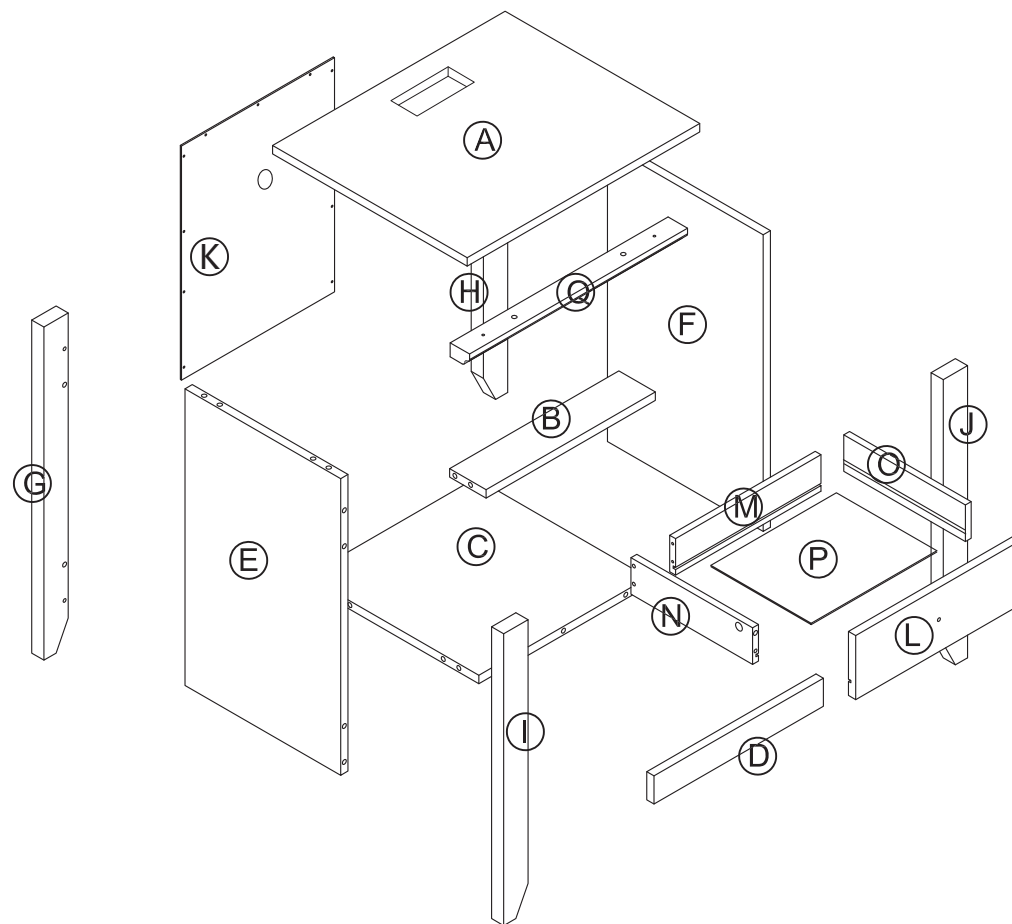


- ✓ Read through each step carefully and follow the proper order
- ✓ Separate and count all your parts and hardware
- ✓ Give yourself enough room for the assembly process
- ✓ Have the following tools: Flat Head Screwdriver, #2 Phillips Head Screwdriver and Hammer
- ✓ Caution: If using a power drill or power screwdriver for screwing, please be aware of to slow down and stop when screw is tight. Failure to do so may result in stripping the screw.

Helpful Hints


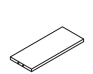
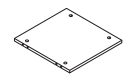





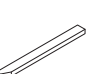
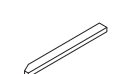
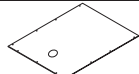

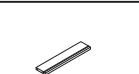


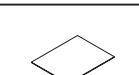

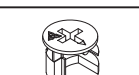
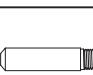
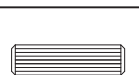
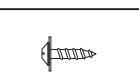
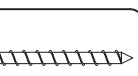
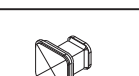

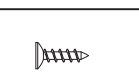



PEOPLE NEEDED FOR ASSEMBLY: 1-2

- Open your item in the area you plan to keep it to avoid excessive heavy lifting.
- Identify, sort and count the parts before attempting assembly.
- Compression dowels are lightly tapped in with a hammer.
- Slides are labeled with an **R** (right) and **L** (left) for proper placement.
- Make sure to always face the point on the top of the Cam Lock towards the outer edge.
- Use all the nails provided for the back panel and spread them out equally.
- Back panel must be used to make sure your unit is sturdy.
- Do NOT use harsh chemicals or abrasive cleaners on this item.
- Never push, pull, or drag your furniture.



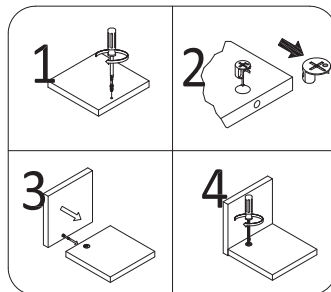
PRODUCT ASSEMBLY

Hardware List

 TOP A 1PC	 BOTTOM B 1PC	 FIXED SHELF C 1PC	 BOTTOM RAIL D 1PC	 LEFT SIDE PANEL E 1PC
 RIGHT SIDE PANEL F 1PC	 LEG G 1PC	 LEG H 1PC	 LEG I 1PC	 LEG J 1PC
 BACK PANEL K 1PC	 DRAWER FRONT PANEL L 1PC	 DRAWER BACK PANEL M 1PC	 DRAWER LEFT SIDE PANEL N 1PC	 DRAWER RIGHT SIDE PANEL O 1PC
 DRAWER BOTTOM PANEL P 1PC	 BOTTOM RAIL Q 1PC	 Ø15X9mm ① 22PCS	 Ø6.5X35mm ② 22PCS	 Ø8X30mm ③ 21PCS
 Ø3X12mm ④ 9PCS	 Ø3.5X32mm ⑤ 6PCS	 ⑥ 1PC	 M4X19mm ⑦ 1PC	 Ø3.5X14mm ⑧ 10PCS
 250mm ⑨ 1PC	 Ø6X30mm ⑩ 2PCS	 ⑪ 1PC		

Cam Lock Fastening System



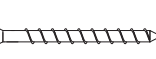
This Cam Lock Fastening System will be used throughout the assembly process.

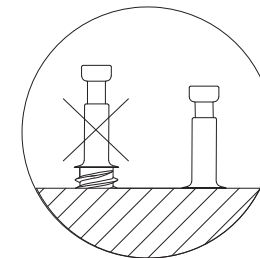
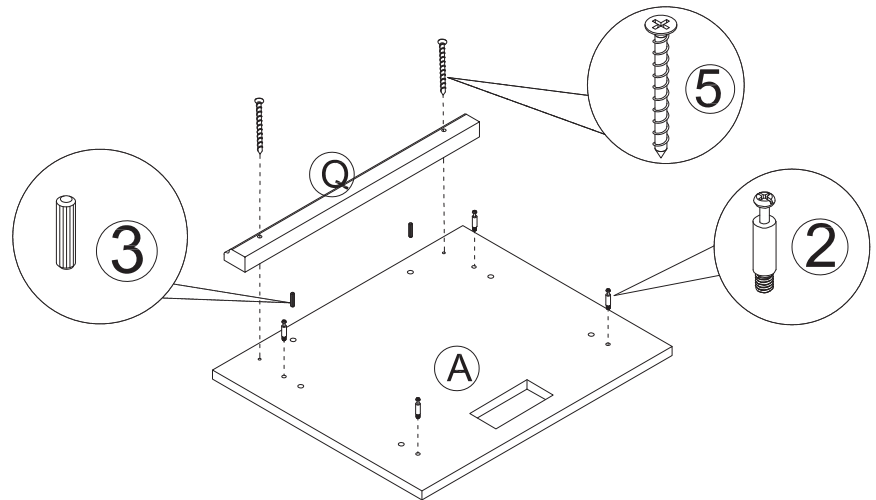


PRODUCT ASSEMBLY

! Check the package contents before getting started !


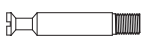

STEP 1

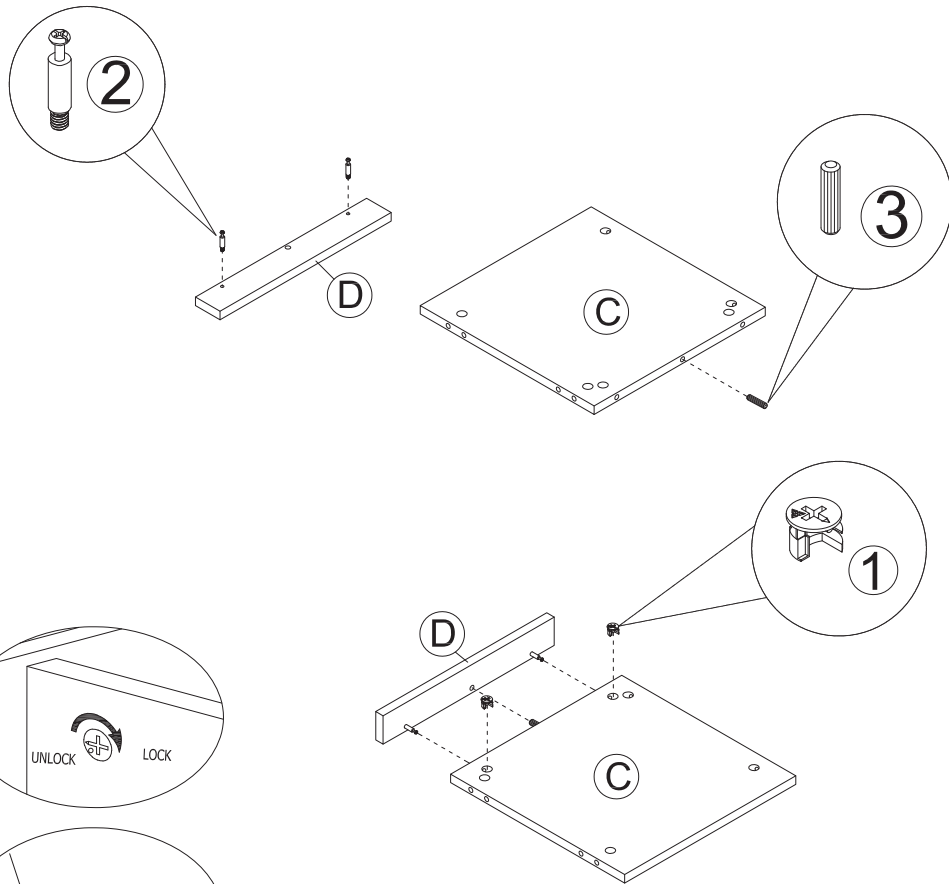
 Ø6.5X35mm ② 4PCS	 Ø8X30mm ③ 2PCS	 Ø3.5X32mm ⑤ 2PCS
--	--	--



PRODUCT ASSEMBLY

STEP 2

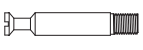
		
Ø15X9mm	Ø6.5X35mm	Ø8X30mm
① 2PCS	② 2PCS	③ 1PC

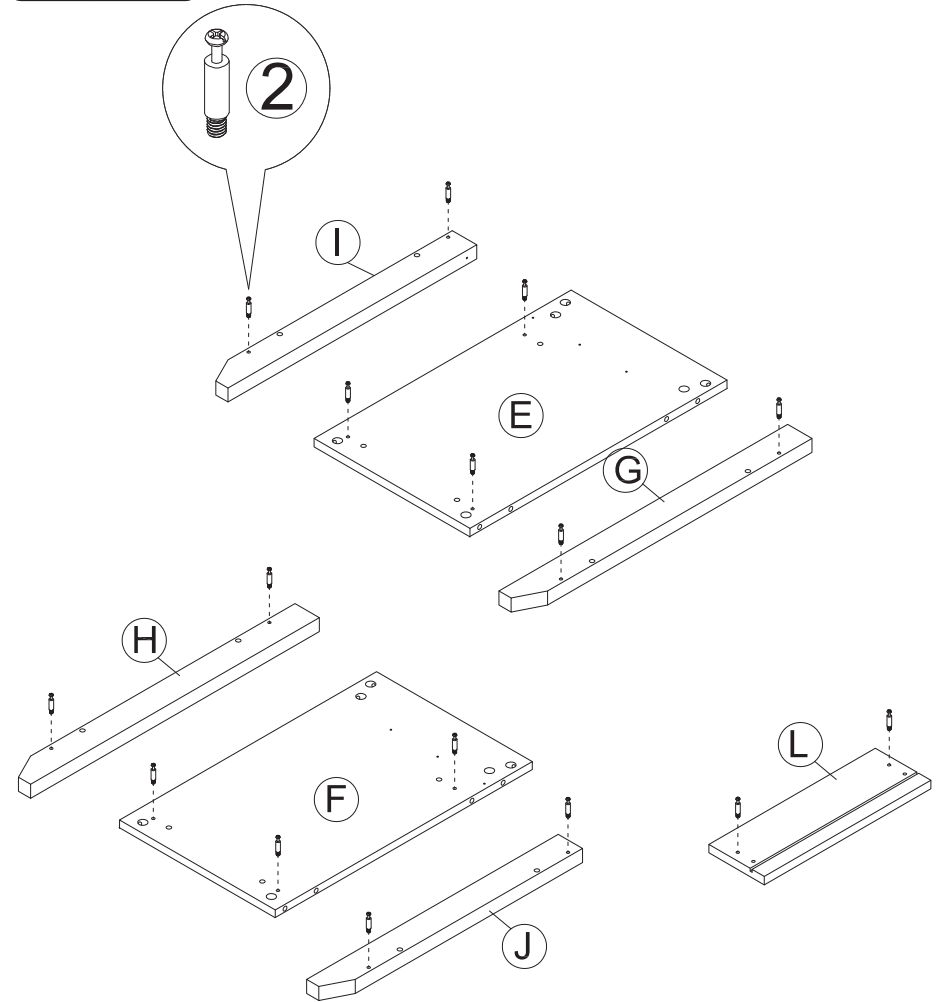


Proper orientation of CAM LOCK

PRODUCT ASSEMBLY

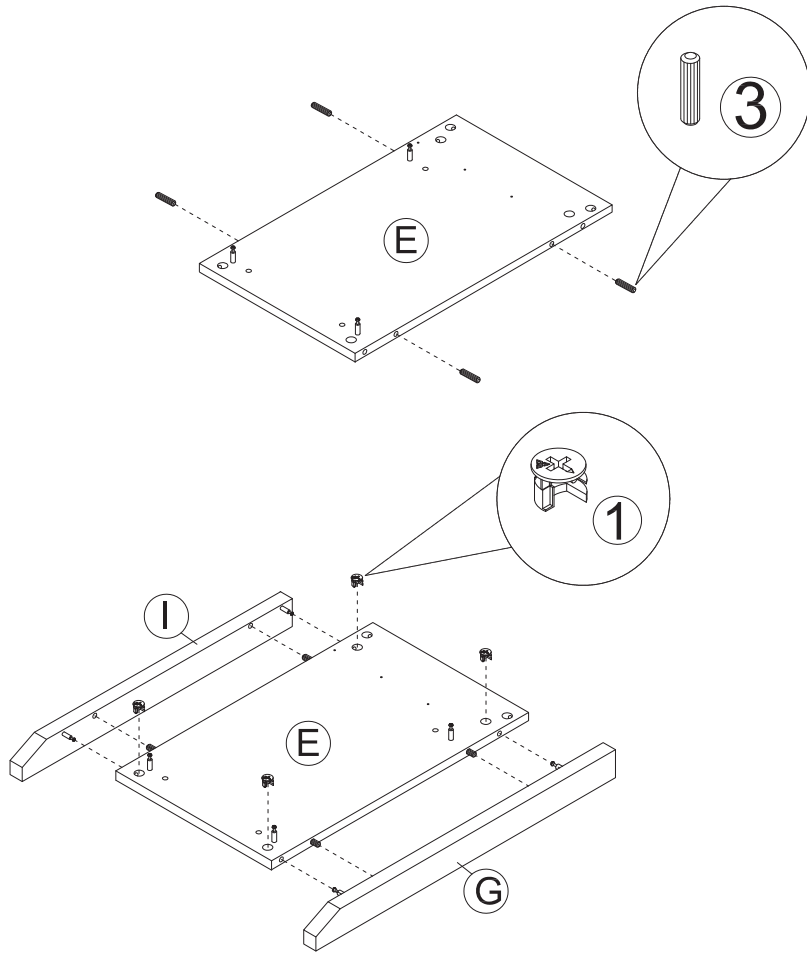
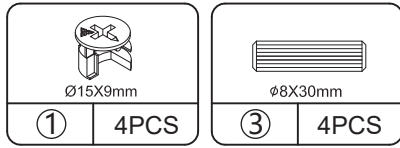
STEP 3


Ø6.5X35mm
② 16PCS



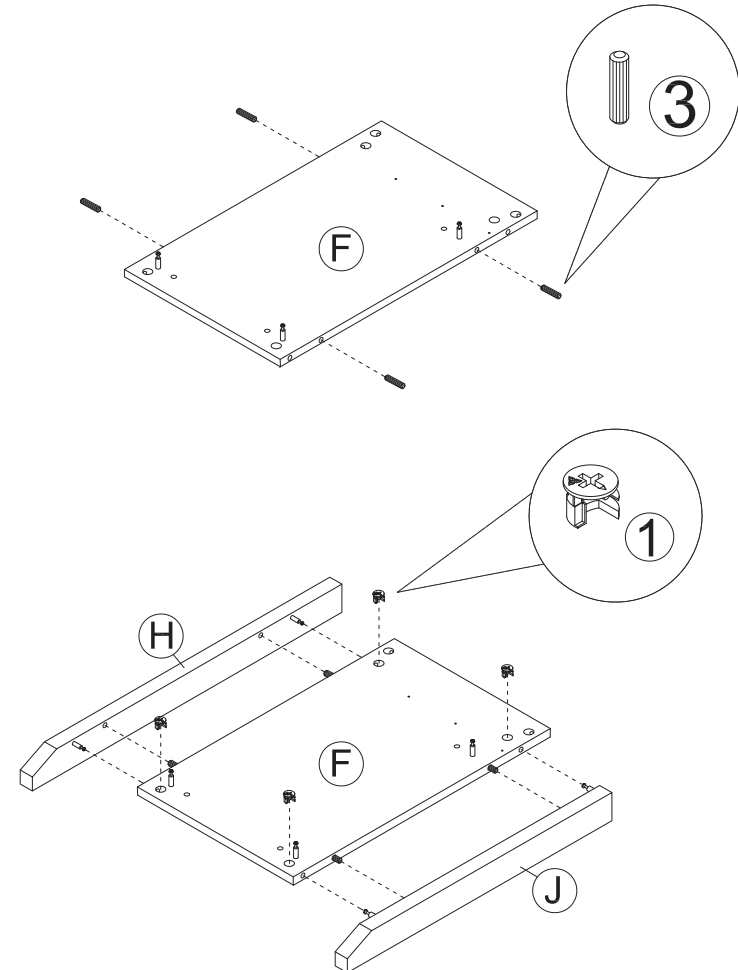
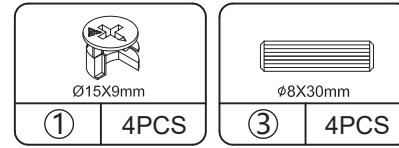
PRODUCT ASSEMBLY

STEP 4

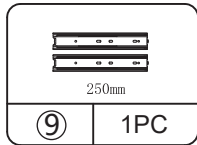
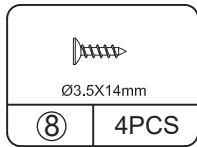


PRODUCT ASSEMBLY

STEP 5



STEP 6

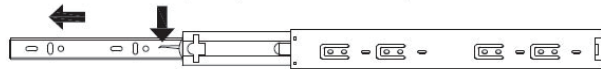


How To SEPARATE BALL BEARING SLIDE.
Cómo SEPARAR LAS GUÍAS DE BOLAS.
Comment SÉPARER LES GLISSIÈRE À BILLES.

- 1) Pull toward arrow to open the slide until its stops and then flip it over.
 Hale como indica la flecha hasta que la ranura se detenga y luego dele vuelta.
 Tirez en direction de la flèche pour ouvrir la glissière jusqu'à ce qu'elle arrête, puis retournez la.



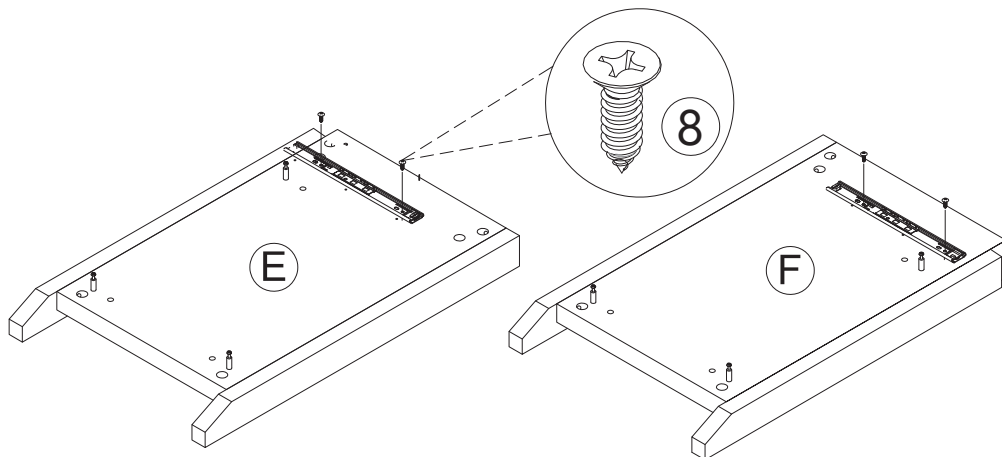
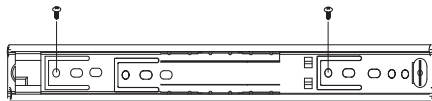
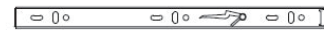
- 2) Push plastic lever down and pull apart.
 Empuje hacia abajo el nivelador plástico y desmóntelo.
 Poussez le levier en plastique vers le bas et séparez.



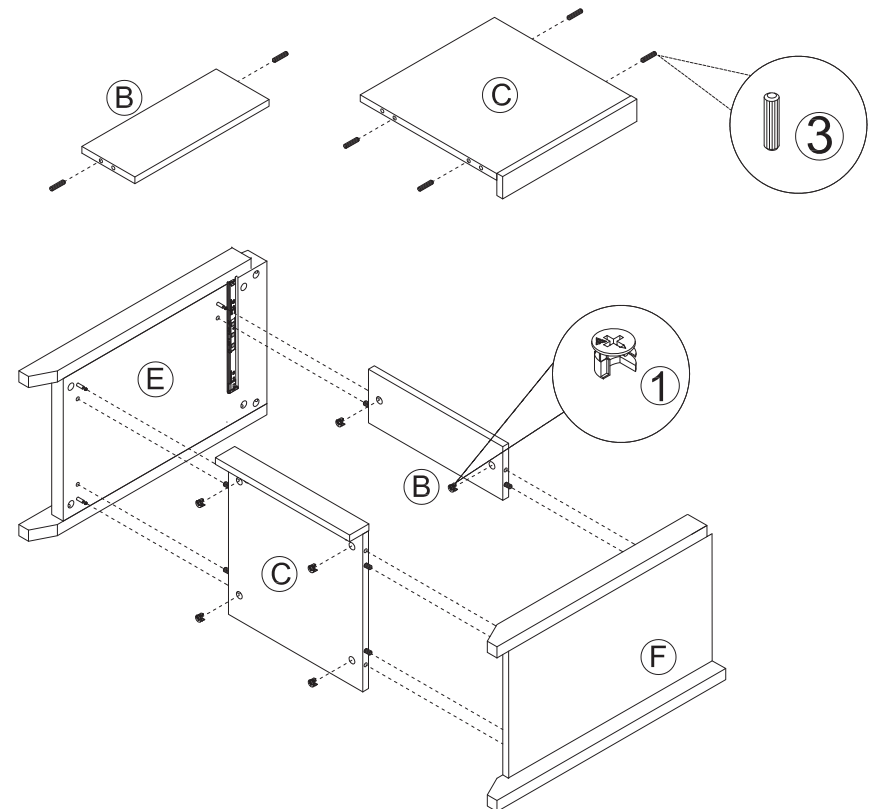
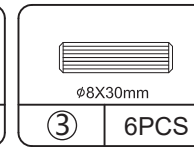
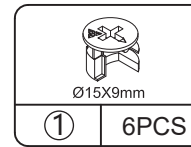
Cabinet member/ Nivelador del archivador/ Élément de l'armoir



Drawer member/ Nivelador del cajón/ Élément du tiroir

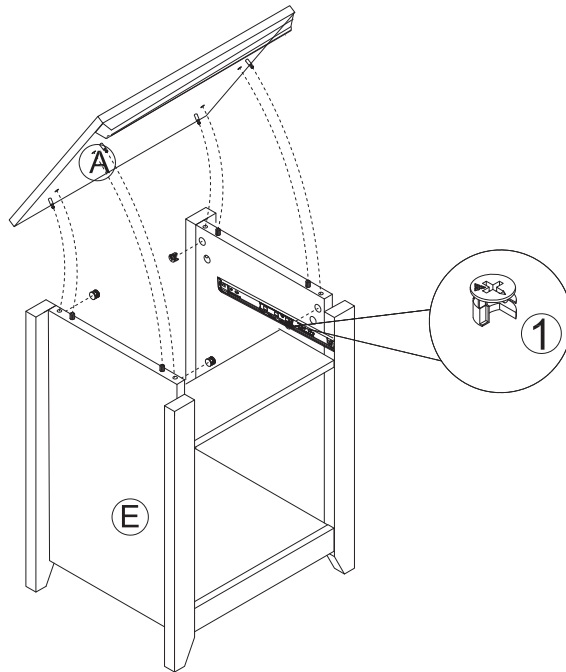
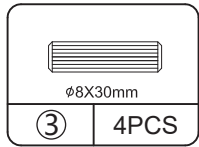
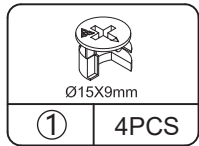


STEP 7

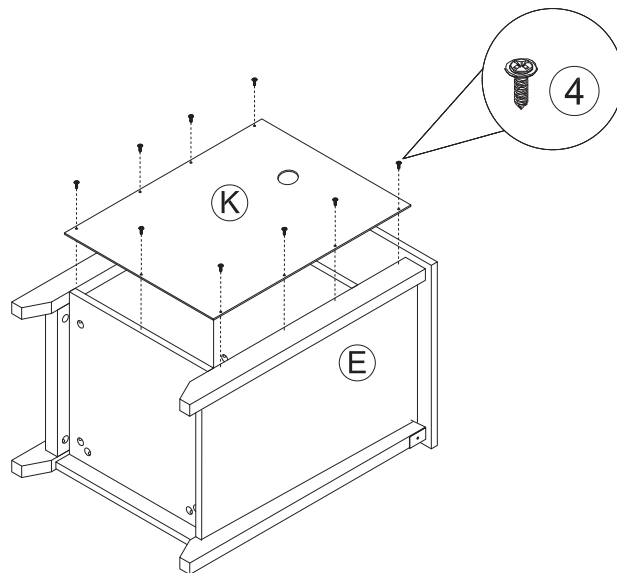
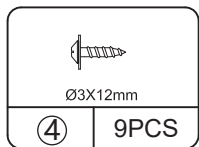


PRODUCT ASSEMBLY

STEP 8

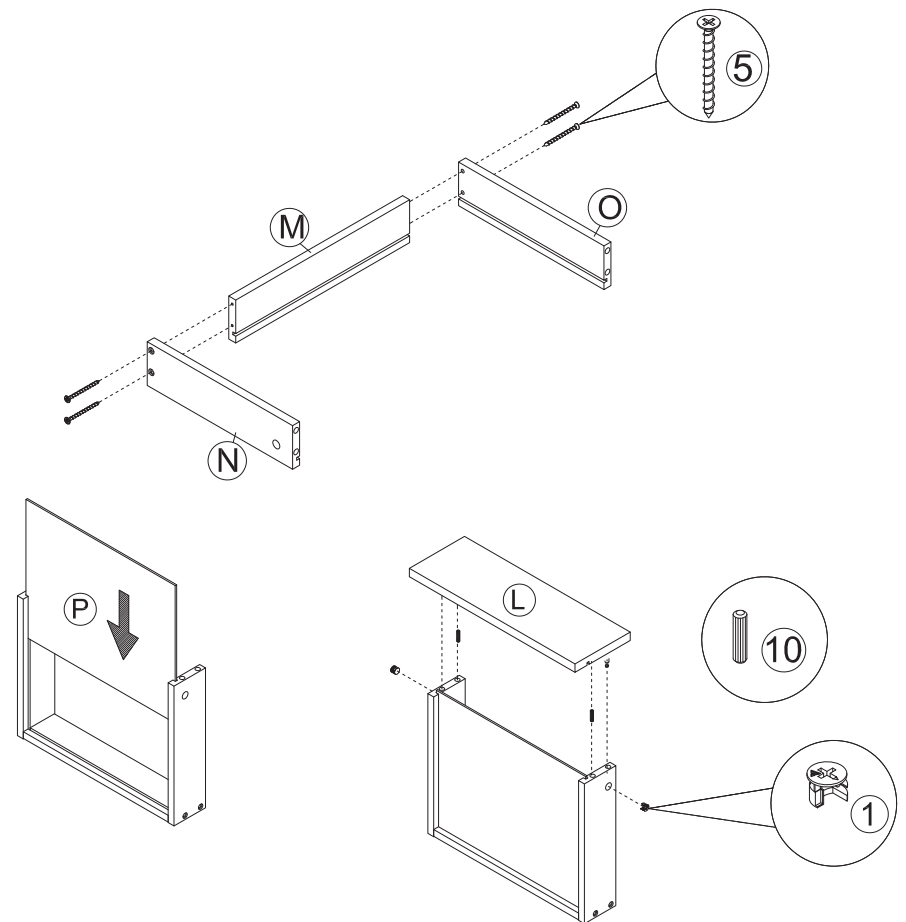
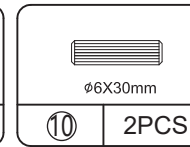
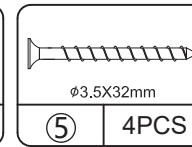
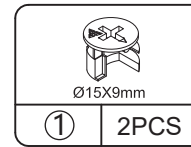


STEP 9



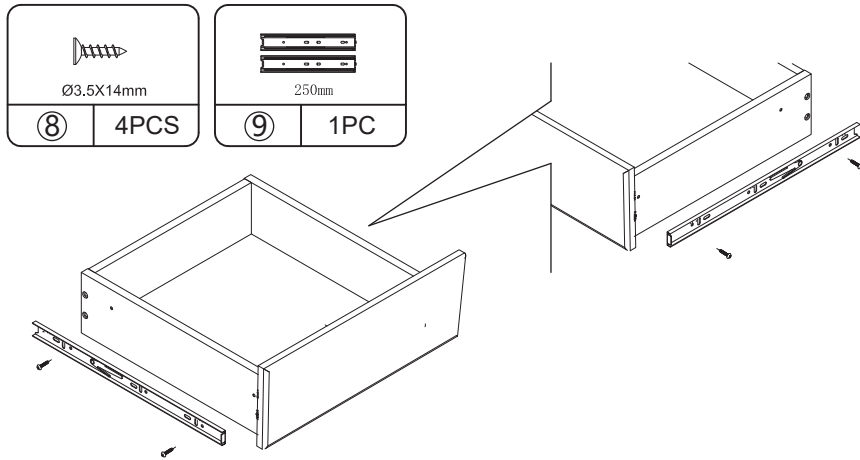
PRODUCT ASSEMBLY

STEP 10

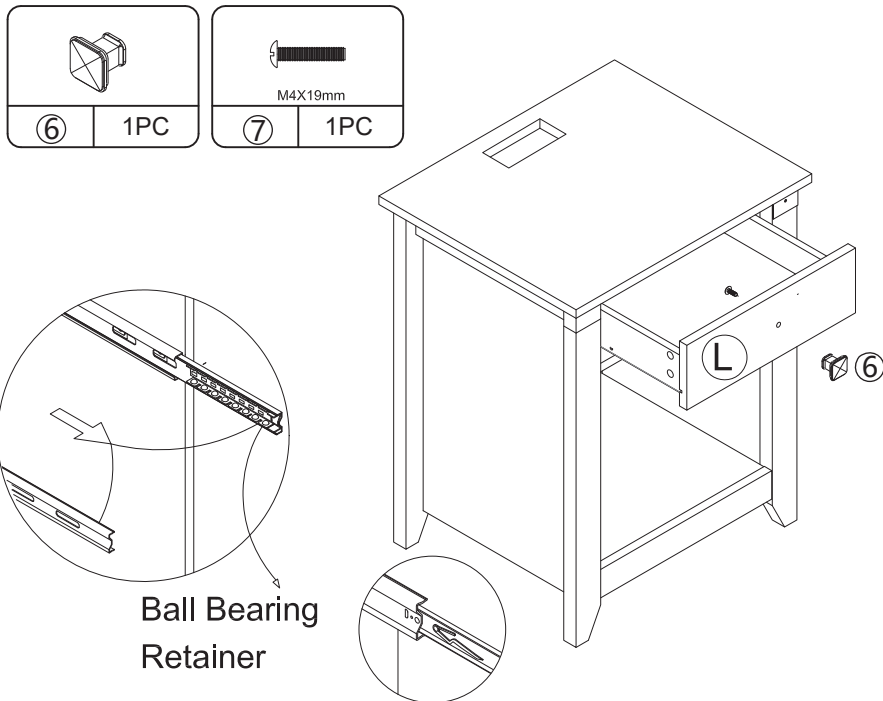


PRODUCT ASSEMBLY

STEP 11



STEP 12



PRODUCT ASSEMBLY

STEP 13

