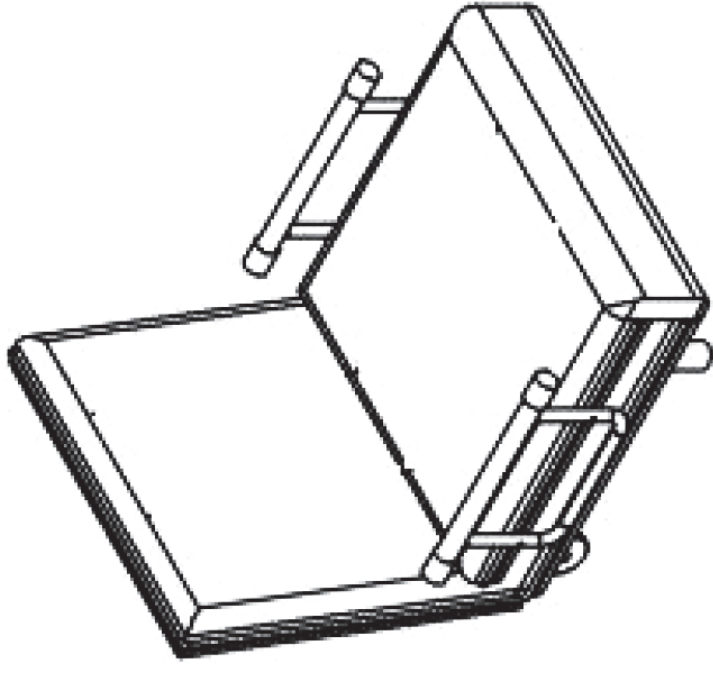


# User Manual



# JAXSUNNY

## Dear Customer,

Thank you for your purchase. JAXSUNNY is committed to providing affordable high-quality furniture worldwide. Each piece is made with the respect for human and the environment. Thousands of families use JAXSUNNY products as a home fashion.

When you receive the product, please make sure that all the parts are intact. Then please browse the entire installation manual before assembly. If problems occur unsatisfactorily as follows:

- a. The outer box is damaged.**
- b. The product is damaged / bent / cracked while you open the box.**
- c. The parts / accessories / assembly tools are missing.**
- d. The product is hard to assemble.**
- e. The instructions are not clear and can not be referred to.**
- f. The product has functional problems.**
- g. Other aspects that you are not satisfied with.**

Please do not hesitate to contact us for help (Be sure to mark the **SKU NUMBER**, e.g., HG91S0320, and the **TRACKING NUMBER**). Our JAXSUNNY team with factory direct after-sales service will reply within 24 hours and will do our best to resolve the problem for you. Our services are available at any time.

Sincerely,  
JAXSUNNY Team



## You need

**1 Tools required**

A Phillips head screwdriver is required for the assembly of this product. (not included)

Power tools should not be used to assemble this product.

**2 2 persons are needed**

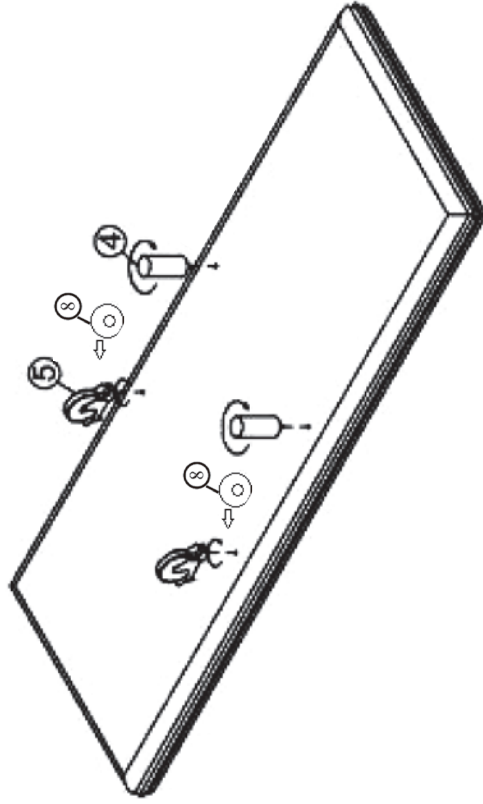
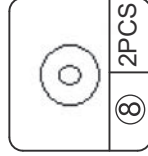
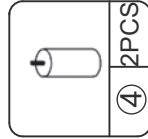
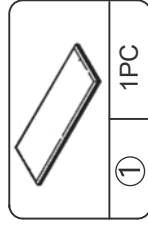
Technical Specifications	
Brand	JAXSUNNY
Material	Synthetic linen
Colour	blue/brown
Style	leisure
Max weight capacity	330LBS

## Hardware List

	1PC		1PC		2PCS		2PCS
	2PCS		4PCS		4PCS		2PCS

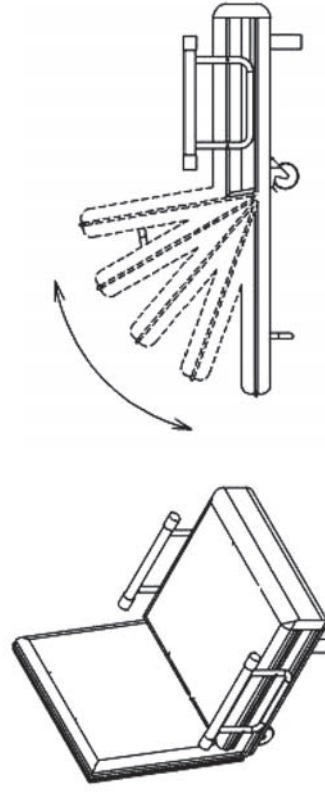
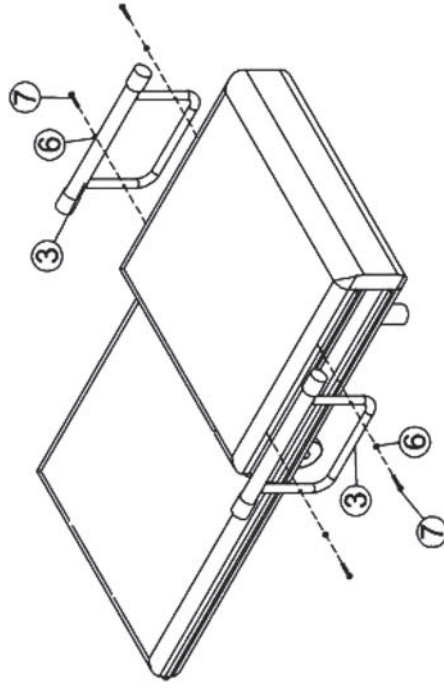
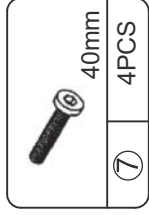
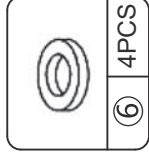
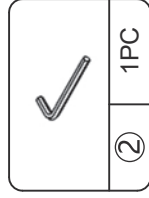
**⚠** Check the package contents before getting started !

**STEP 1**



Place the transparent washer on the screws of the feet and wheels.

**STEP 2**

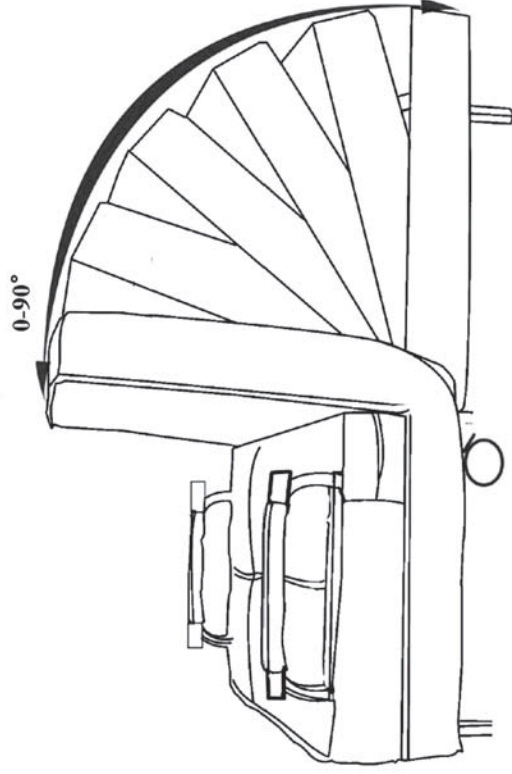


**ATTENTION :**

When you do not move the sofa, please lock the brakes of the wheels.

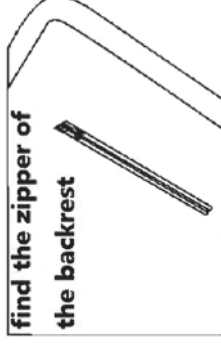
## 1. How to adjust the back:

The back can be adjusted between 0-90°

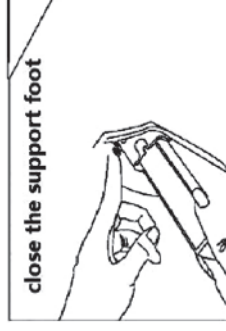


ATTENTION: The back must be adjusted several times until 90° to lie flat.

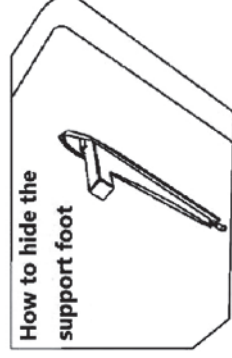
## 2. How to use the supporting foot hidden in back



Pull zipper and open the support foot to the maximum angle.



As above, press the button and gently press the support foot down.



Zip up.