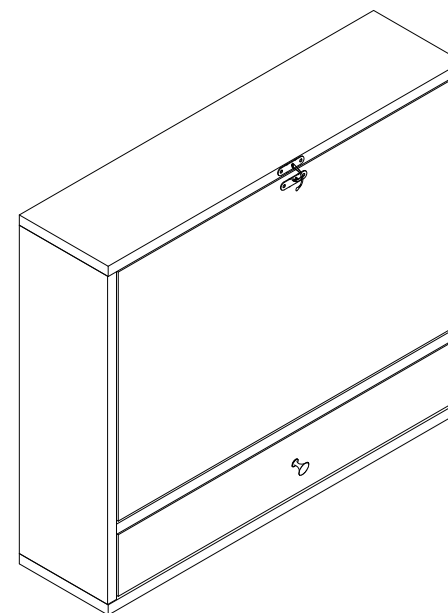


User Manual

JAXSUNNY



Model Number: HG61Y1066
HG61A1067
HG61B1068

JAXSUNNY

Dear Customer,

Thank you for your purchase.

JAXSUNNY is committed to providing affordable high-quality furniture worldwide.

Each piece is made with the respect for human and the environment.

Thousands of families use JAXSUNNY products as a home fashion.

When you receive the product, please make sure that all the parts are intact.

Then please browse the entire installation manual before assembly.

If problems occur unsatisfactorily as follows:

a. The outer box is damaged.

b. The product is damaged / bent / cracked while you open the box.

c. The parts / accessories / assembly tools are missing.

d. The product is hard to assemble.

e. The instructions are not clear and can not be referred to.

f. The product has functional problems.

g. Other aspects that you are not satisfied with.

Please do not hesitate to contact us for help (Be sure to mark the **SKU NUMBER**, e.g., HG91S0320, and the **TRACKING NUMBER**).

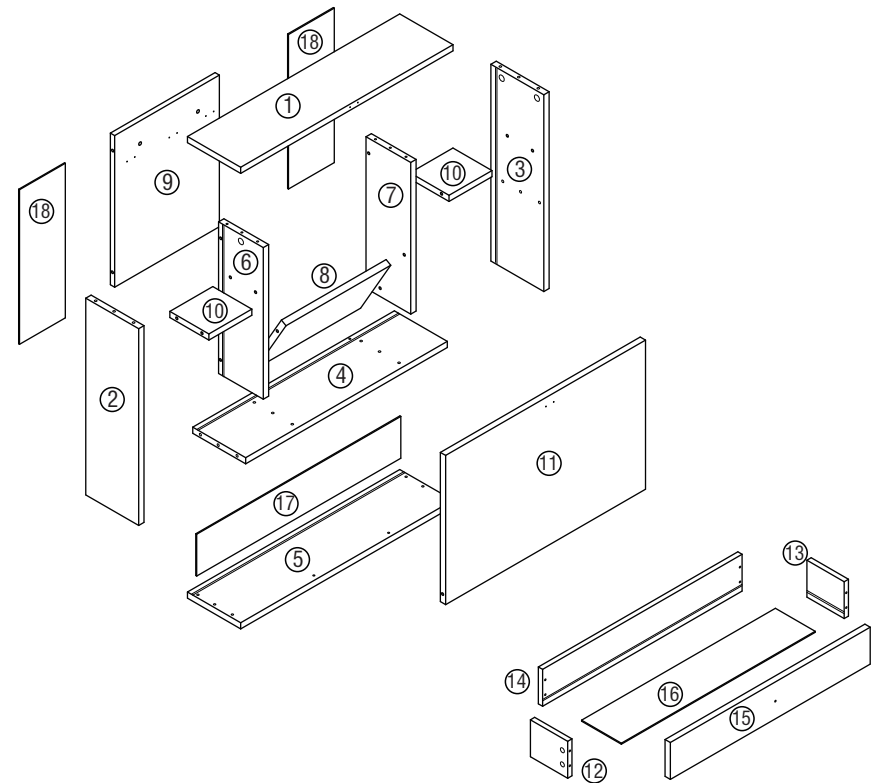
Our JAXSUNNY team with factory direct after-sales service will reply within 24 hours and will do our best to resolve the problem for you. Our services are available at any time.

Sincerely,
JAXSUNNY Team

JAXSUNNY,
for Home and Fashion!





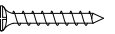



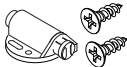


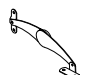


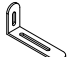

You need

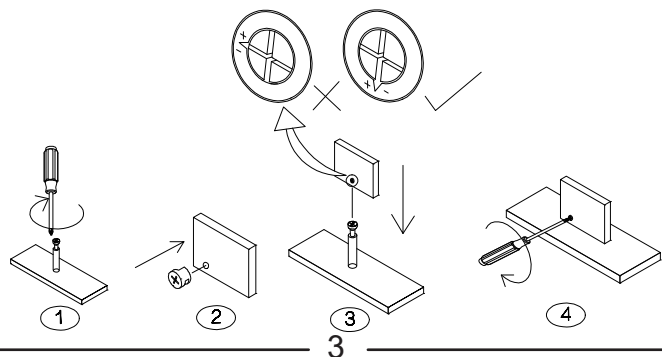
① 1 person is needed



PRODUCT ASSEMBLY

Hardware List

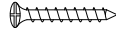

 M6 x 34mm A 14PCS	 Φ 15 x 9mm B 14PCS	 M8 x 30mm C 20PCS	 M8 x 20mm D 2PCS
 M4x35mm E 26PCS	 F 2PCS	 M3x14mm G 8PCS	 H1 H2 H 1PC
 I 1PC	 J 1PC	 K 1PC	 L 1PC
 M 3PCS	 N 4PCS	 O 2PCS	 M4x14mm P 2PCS

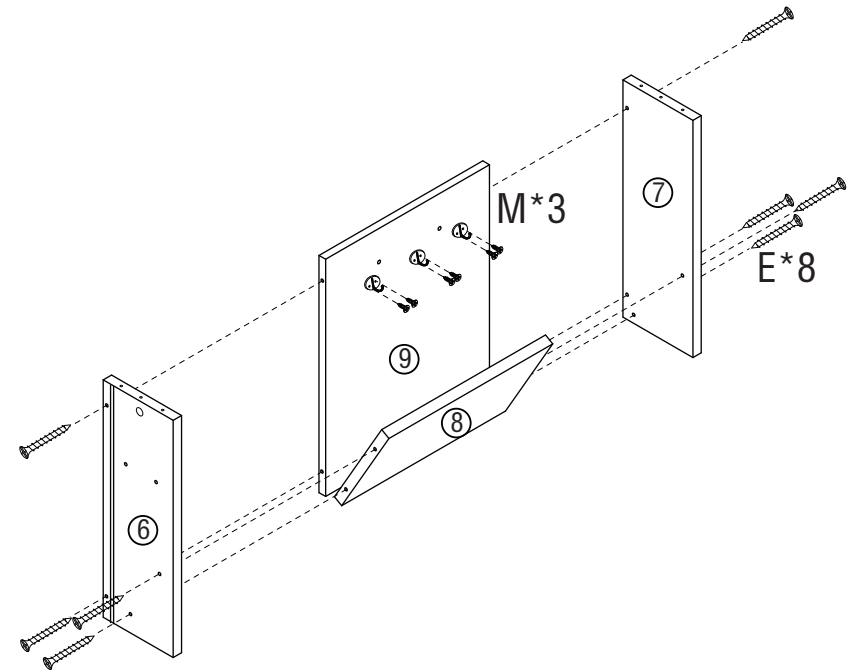


PRODUCT ASSEMBLY

 Check the package contents before getting started !


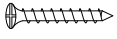
STEP 1

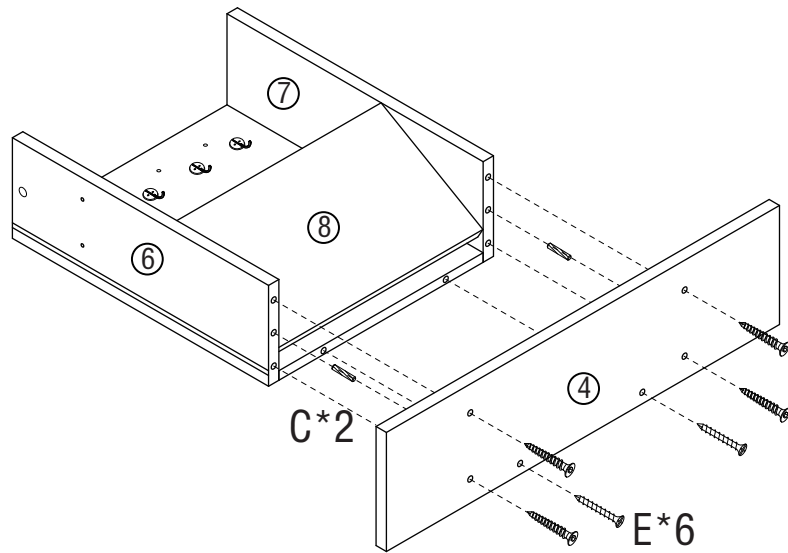
 M4x35mm E 8PCS	 M 3PCS
--	---



PRODUCT ASSEMBLY



STEP 2

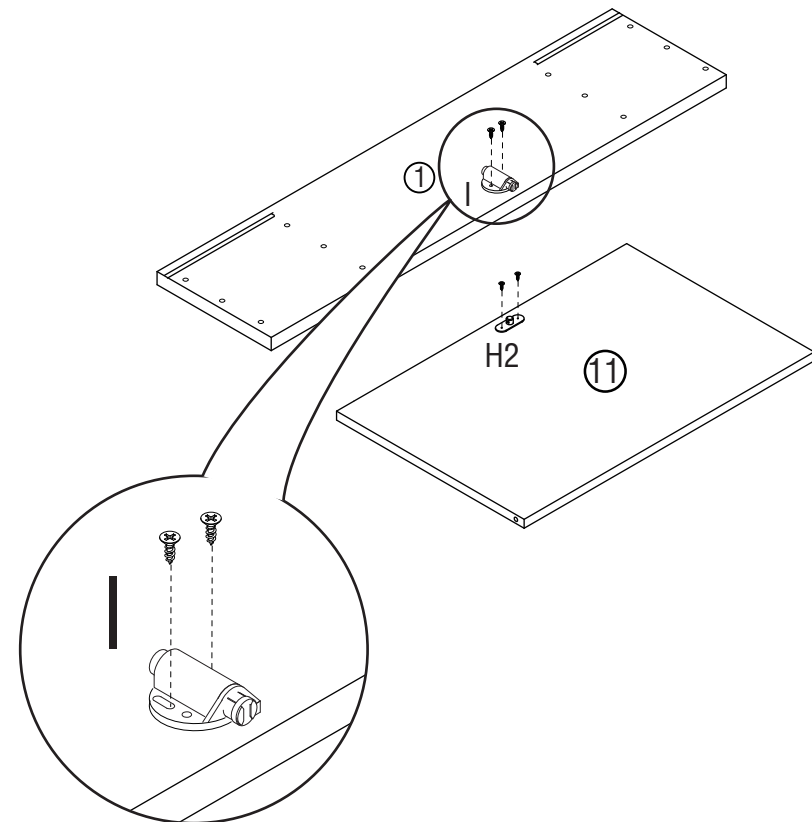
			
C		M4x35mm	
2PCS		E	
		6PCS	



PRODUCT ASSEMBLY

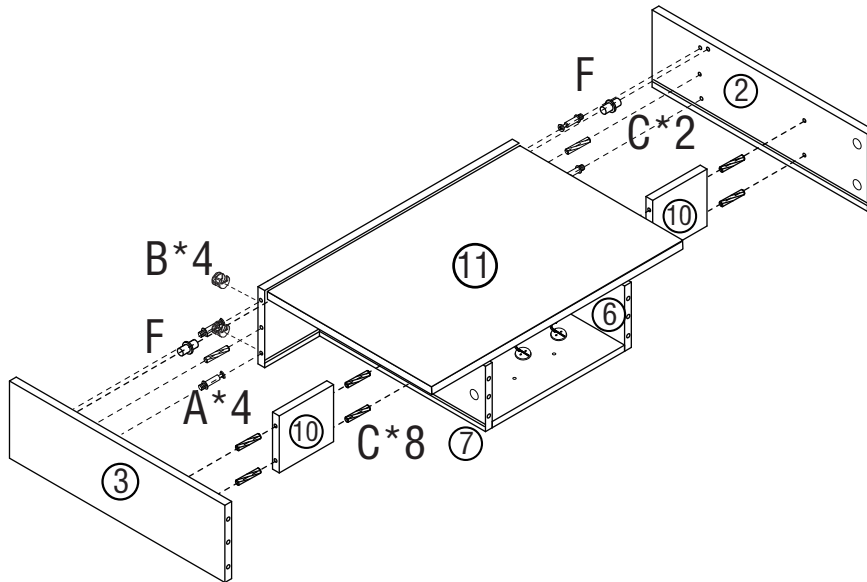
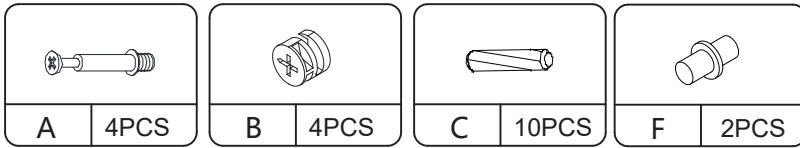
STEP 3

			
I		H2	
1PC		H	
		1PC	



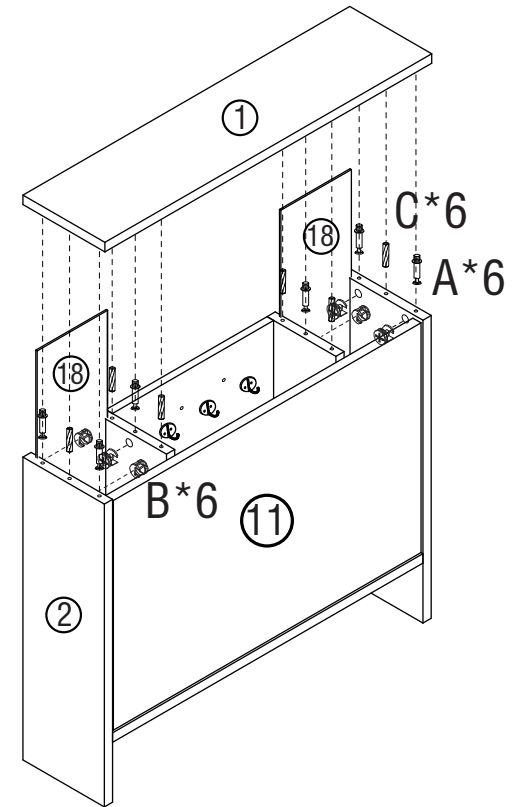
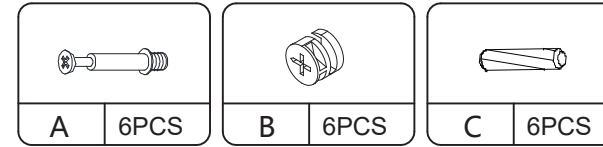
PRODUCT ASSEMBLY

STEP 4






PRODUCT ASSEMBLY

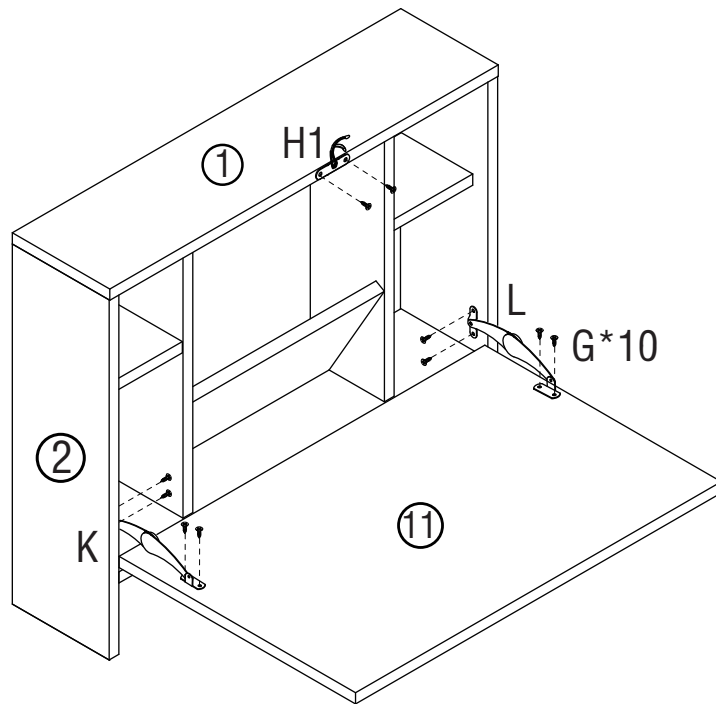
STEP 5



PRODUCT ASSEMBLY

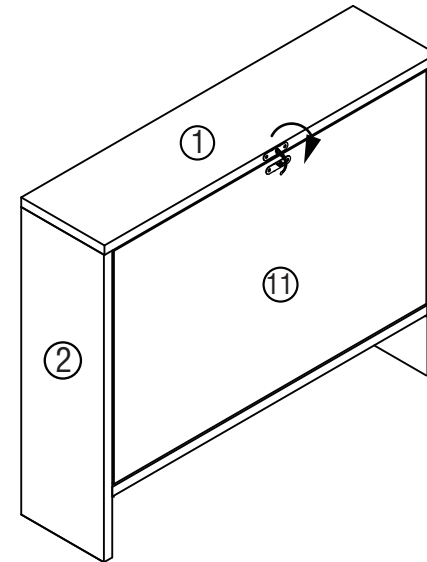
STEP 6

 M3x14mm		 H1					
G	8PCS	H	1PC	K	1PC	L	1PC

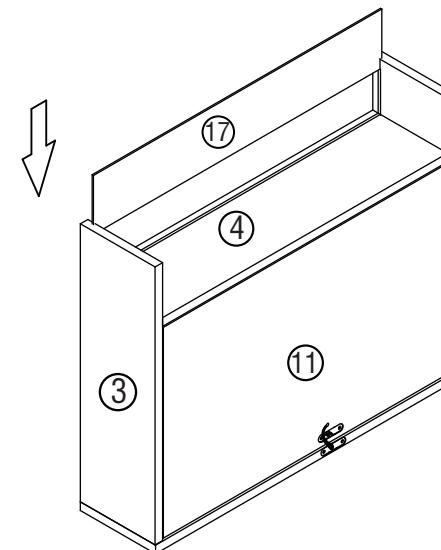


PRODUCT ASSEMBLY

STEP 7

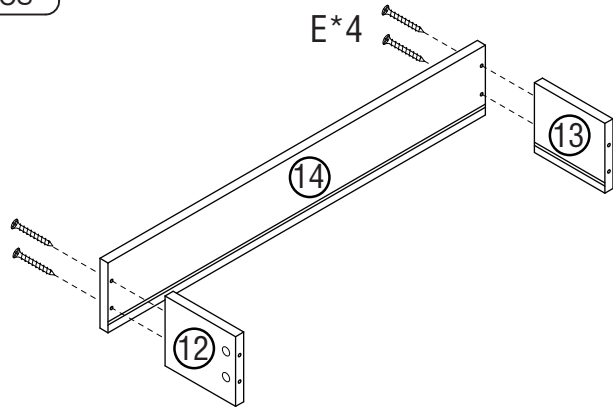
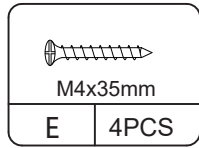


STEP 8

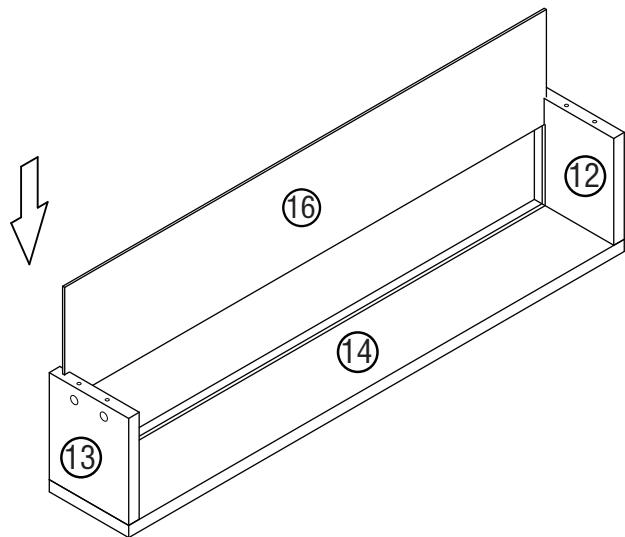


PRODUCT ASSEMBLY

STEP 9

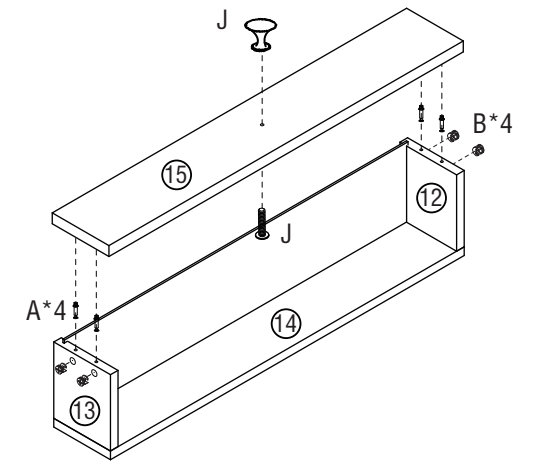
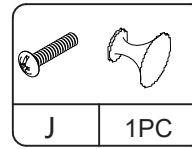
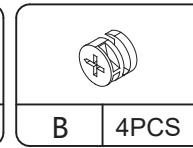
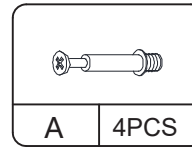


STEP 10

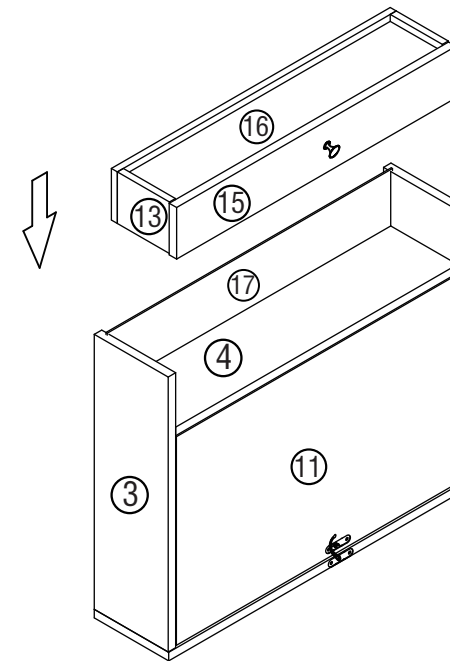


PRODUCT ASSEMBLY

STEP 11

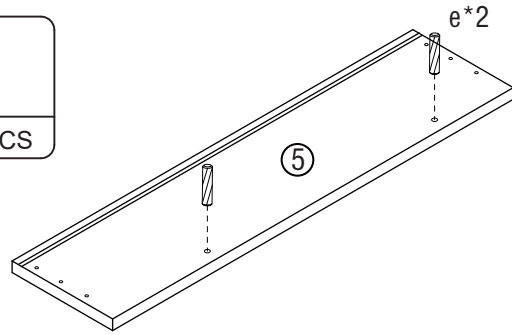
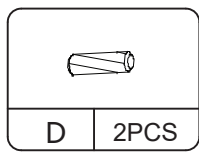


STEP 12

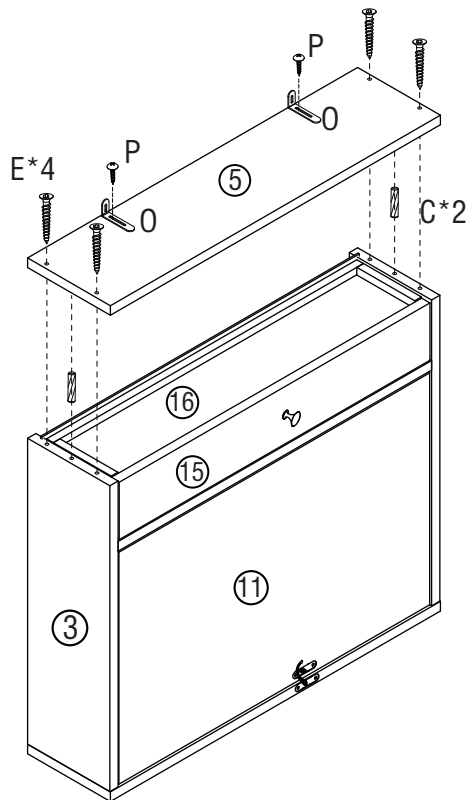
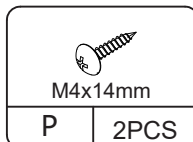
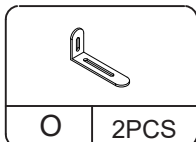
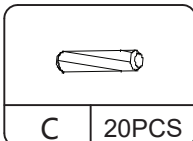
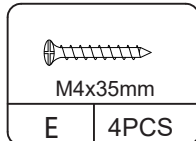


PRODUCT ASSEMBLY

STEP 13

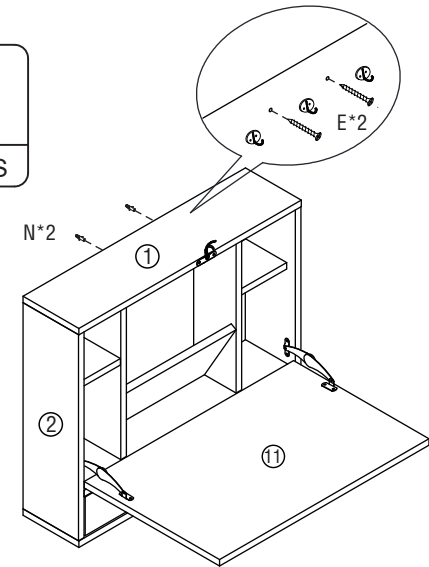
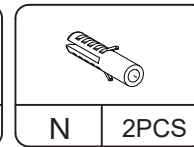
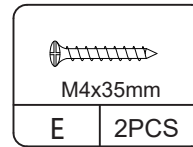


STEP 14



PRODUCT ASSEMBLY

STEP 15



STEP 16

