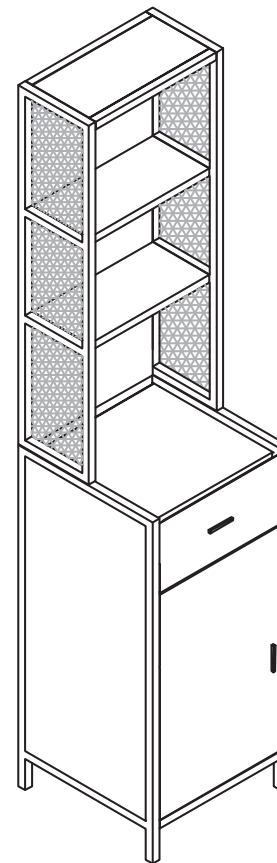


# User Manual



Model Number:MR11B0254



## Dear Customer,

Thank you for your purchase.

RESHABLE is created to be the perfect starting spot for any barbers. Supplying top-quality barber supplies like barber chairs, salon stations, rolling makeup cases, styling drawer cabinets, hair tool holders, and more, we help people to keep their barber store running with the best equipment at the most reliable prices.

When you receive the product, please make sure that all the parts are intact. Then please browse the entire installation manual before assembly. If problems occur unsatisfactorily as follows:

**a. The outer box is damaged.**

**b. The product is damaged/bent/cracked while you open the box.**

**c. The parts/accessories/assembly tools are missing.**

**d. The product is hard to assemble.**

**e. The instructions are not clear and can not be referred to.**

**f. The product has functional problems.**

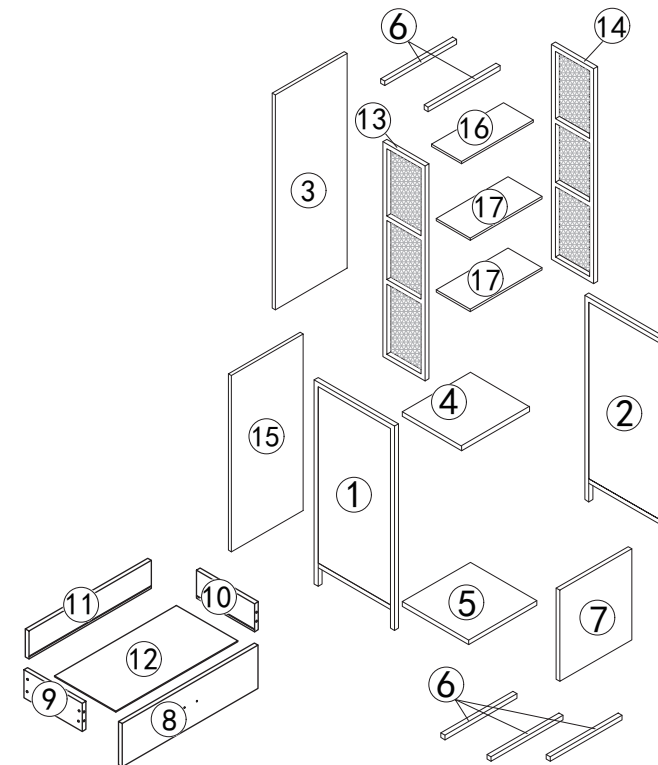
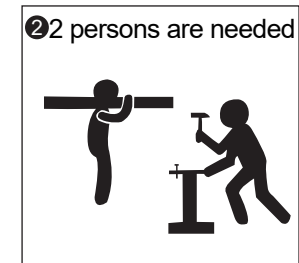
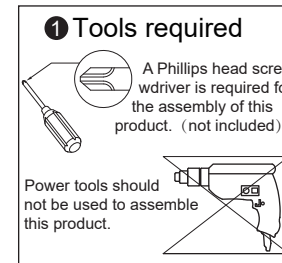
**g. Other aspects that you are not satisfied with.**

Please do not hesitate to contact us for help (Be sure to mark the SKU NUMBER, e.g., MR11Ro246, and the TRACKING NUMBER). Our RESHABLE team with factory direct after-sales service will reply within 24 hours and do our best to resolve the problem for you. Our service is available at any time.












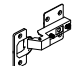
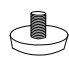
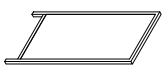
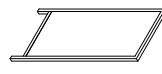

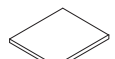
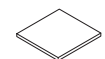


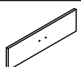
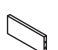


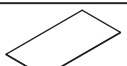
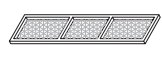
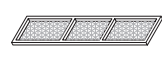



**RESHABLE**  
for Profession and Creativity!

Sincerely,  
RESHABLE Team

## You need





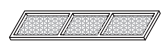
# Hardware List

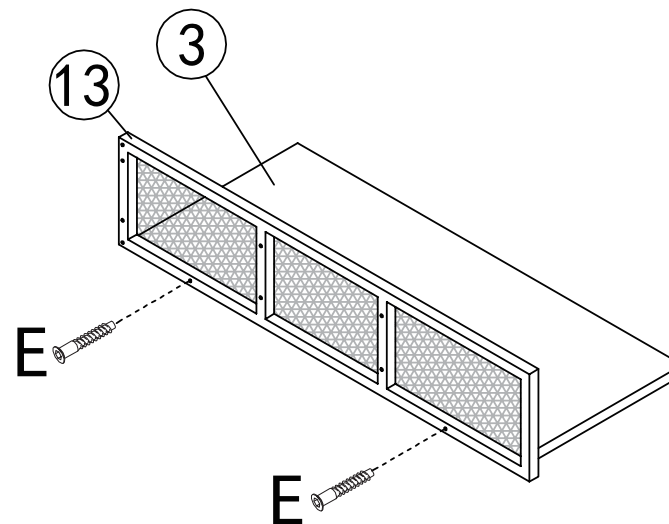
 M6x36mm A   6PCS	 M15x12mm B   6PCS	 M4x16mm C   22PCS	 M6x35mm D   10PCS
 M7x40mm E   28PCS	 80x20x20mm F   2PCS	 M4x18mm G   4PCS	 M4x35mm H   4PCS
 M7x60mm J   4PCS	 K   1PC	 L   2PCS	 M   2PCS
 N   4PCS	 710x333x20mm ①   1PC	 710x333x20mm ②   1PC	 969x400x15mm ③   1PC
 400x314x15mm ④   1PC	 400x292x15mm ⑤   1PC	 400x20x20mm ⑥   5PCS	 496x395x15mm ⑦   1PC
 395x120x15mm ⑧   1PC	 290x82x15mm ⑨   1PC	 290x82x15mm ⑩   1PC	 345x82x15mm ⑪   1PC
 356x286x5mm ⑫   1PC	 990x205x20mm ⑬   1PC	 990x205x20mm ⑭   1PC	 620x400x15mm ⑮   1PC
 400x164x15mm ⑯   1PC	 400x188x15mm ⑰   2PCS		

## PRODUCT ASSEMBLY

 Check the package contents before getting started !

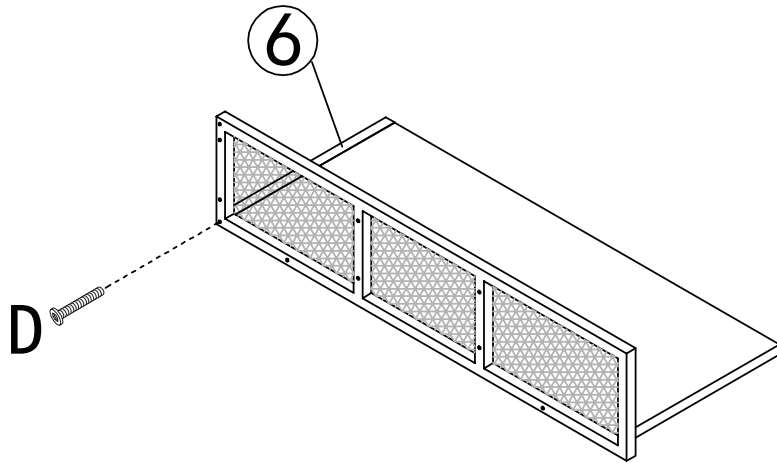
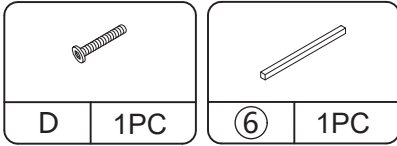
### STEP 1

 E   2PCS	 ③   1PC	 ⑬   1PC
---	--	--



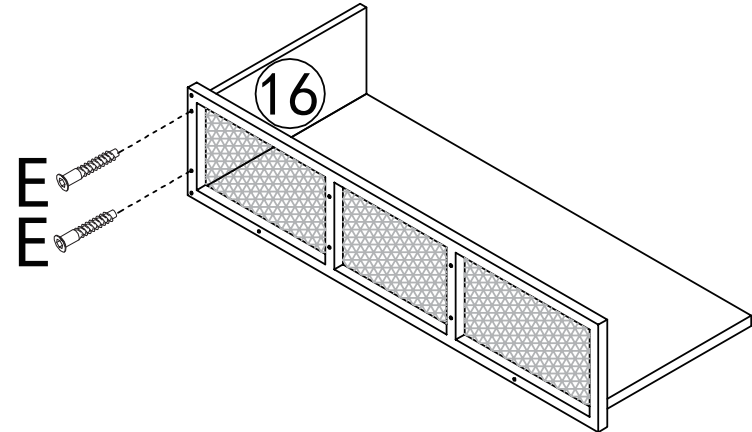
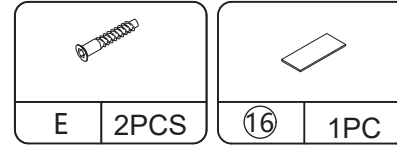
PRODUCT ASSEMBLY

STEP 2



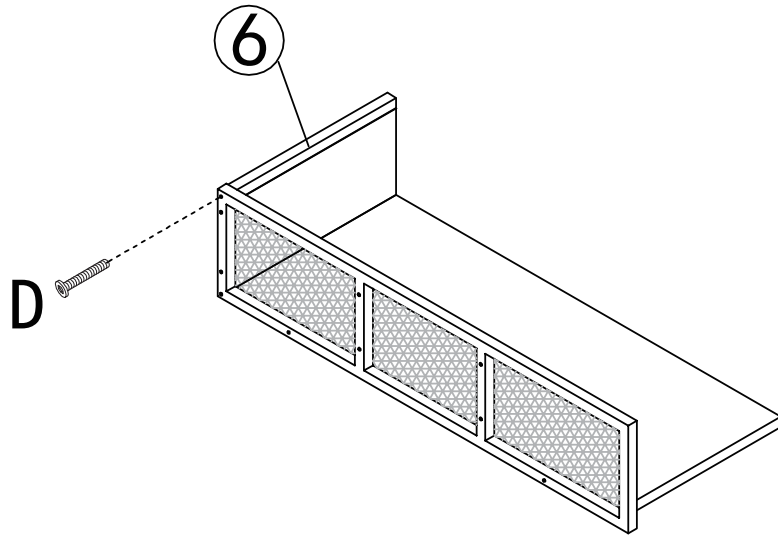
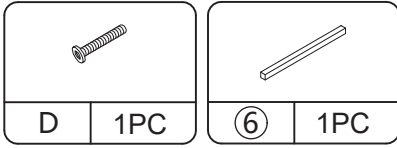
PRODUCT ASSEMBLY

STEP 3



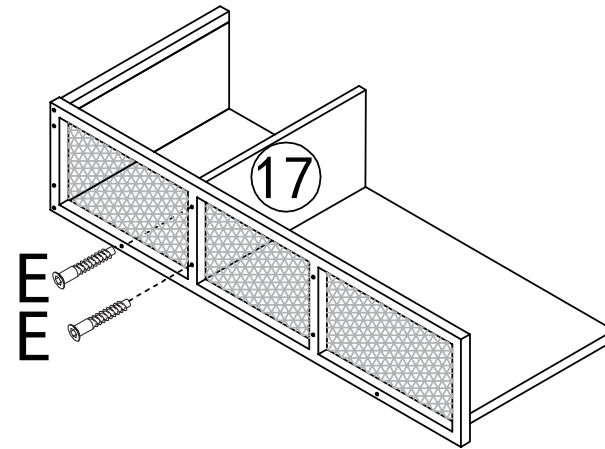
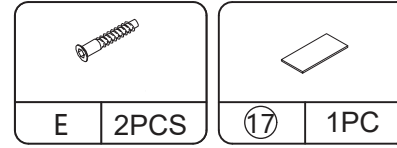
PRODUCT ASSEMBLY

STEP 4



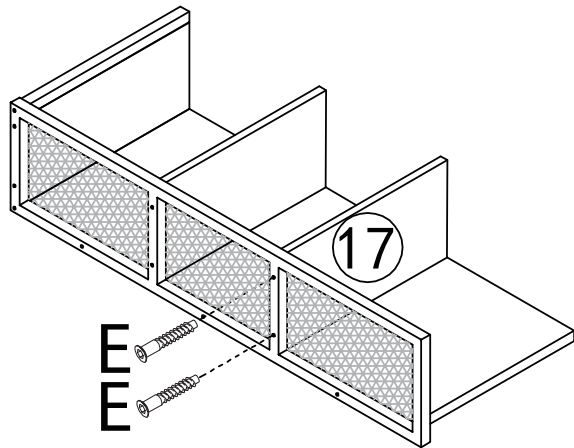
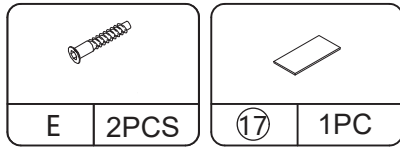
PRODUCT ASSEMBLY

STEP 5



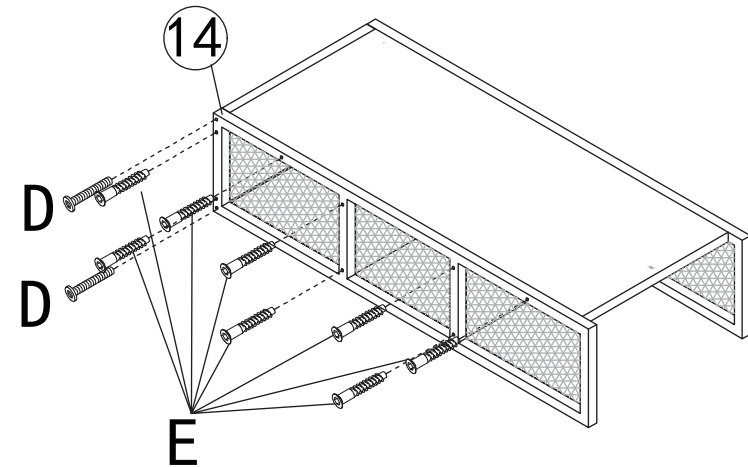
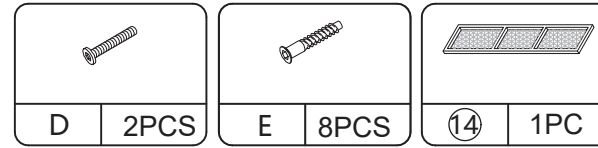
PRODUCT ASSEMBLY

STEP 6



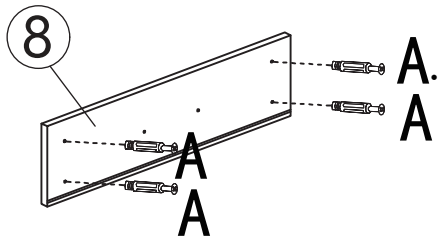
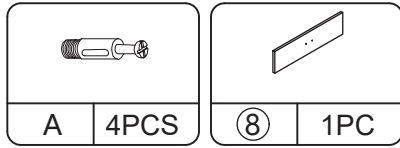
PRODUCT ASSEMBLY

STEP 7



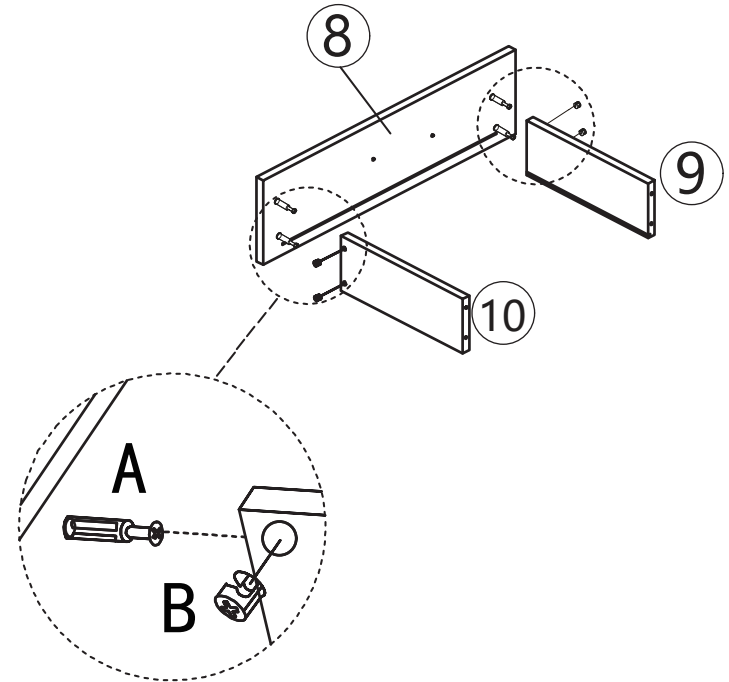
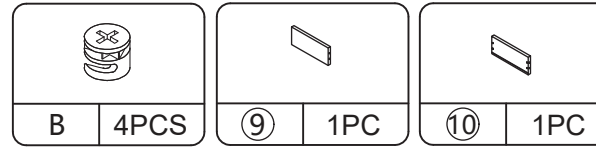
PRODUCT ASSEMBLY

STEP 8



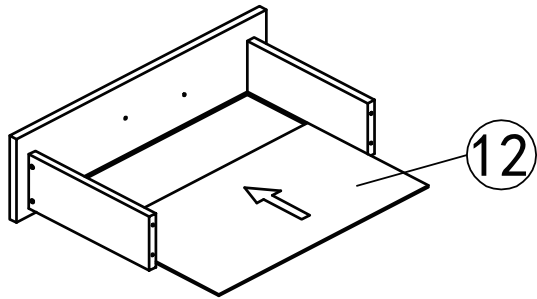
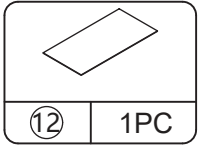
PRODUCT ASSEMBLY

STEP 9



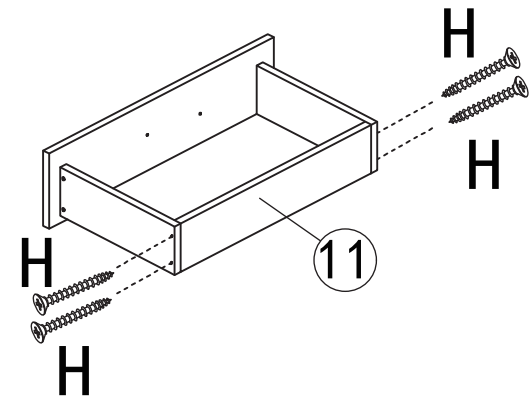
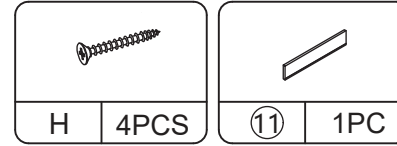
PRODUCT ASSEMBLY

STEP 10



PRODUCT ASSEMBLY

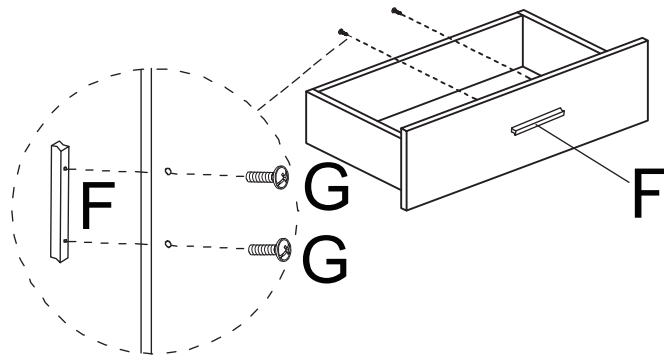
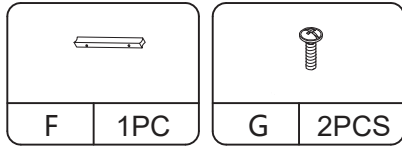
STEP 11





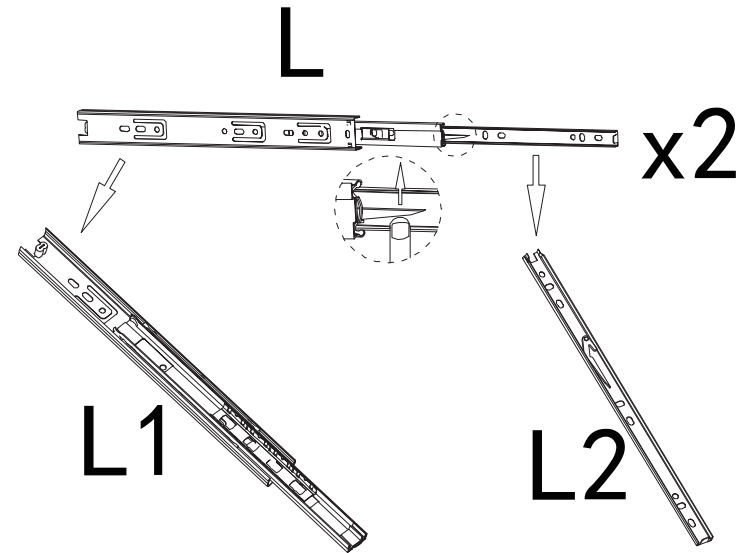
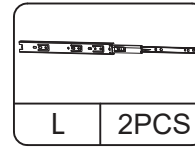
PRODUCT ASSEMBLY

STEP 12



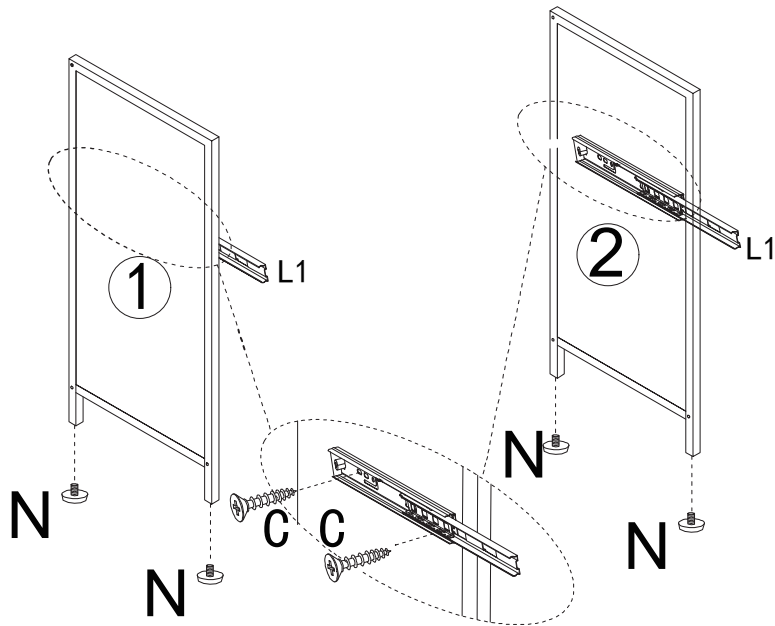
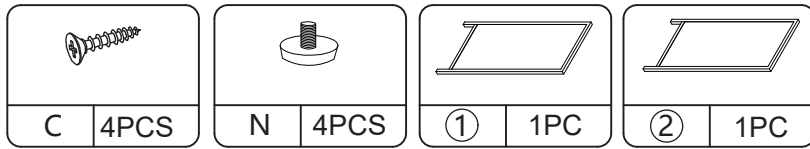
PRODUCT ASSEMBLY

STEP 13



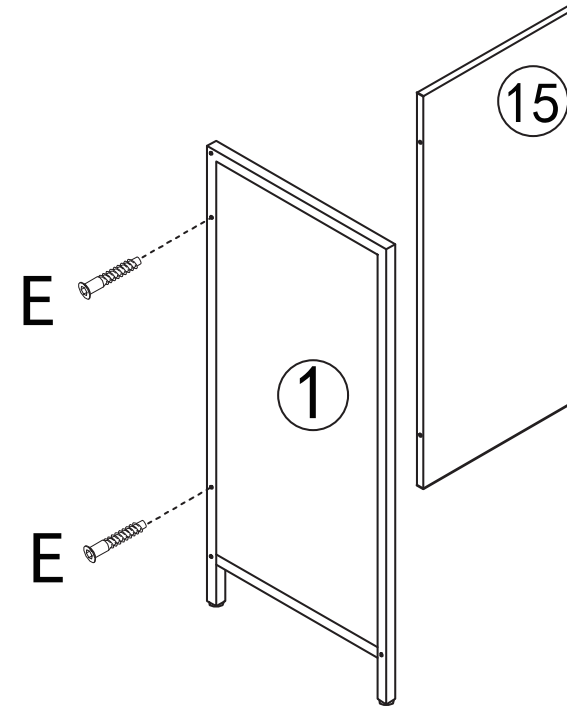
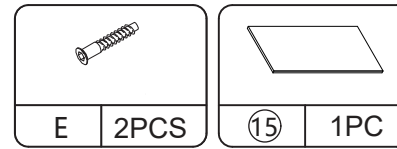
PRODUCT ASSEMBLY

STEP 14



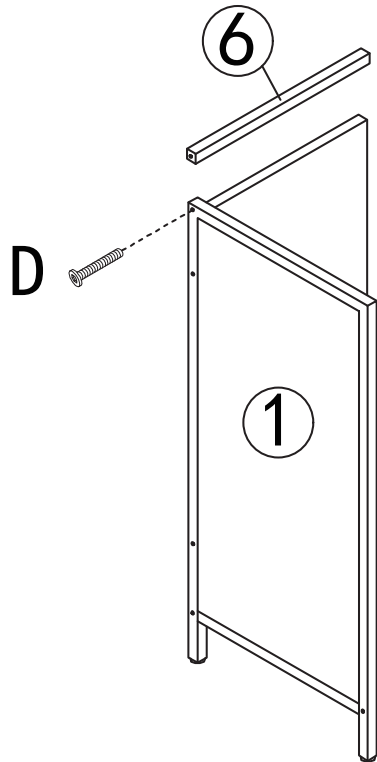
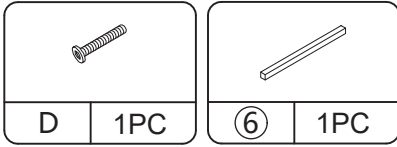
PRODUCT ASSEMBLY

STEP 15



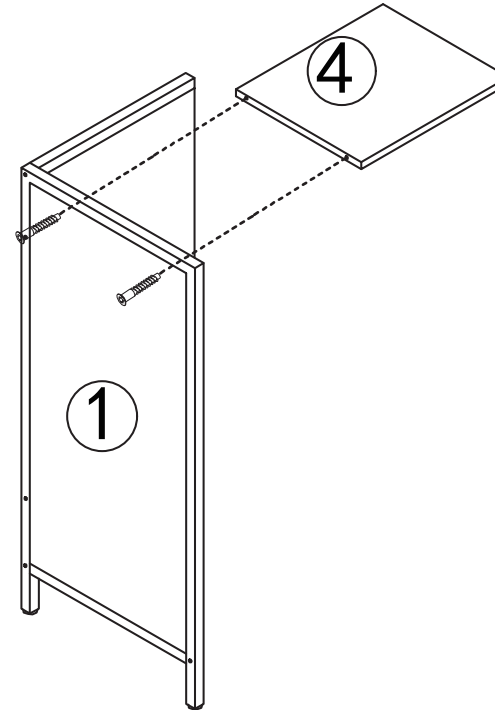
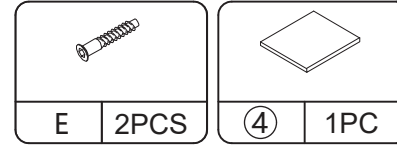
PRODUCT ASSEMBLY

STEP 16



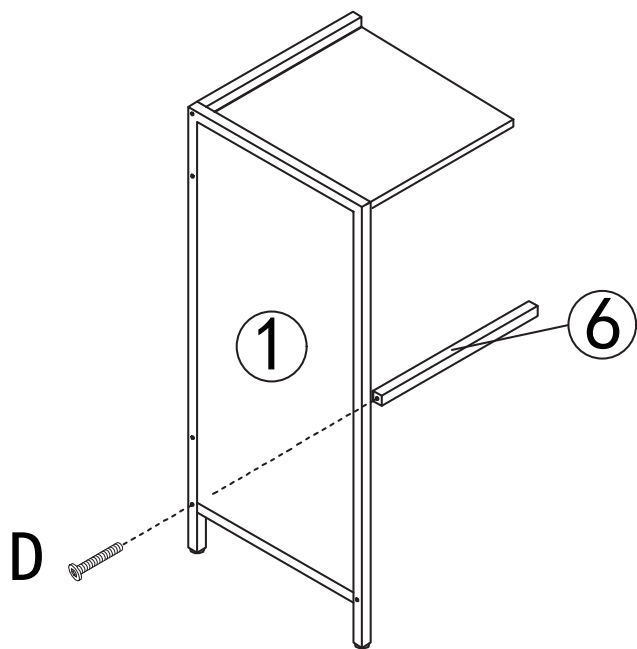
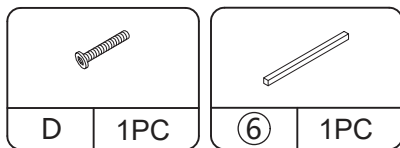
PRODUCT ASSEMBLY

STEP 17



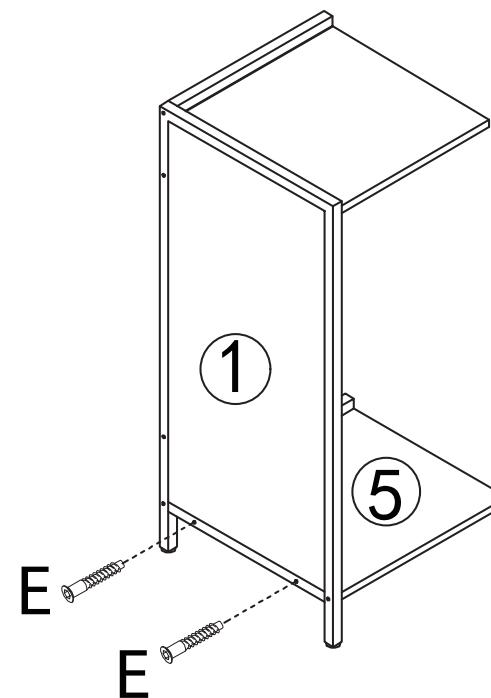
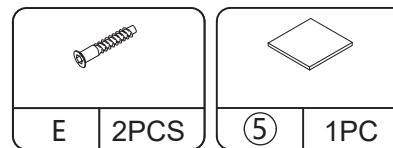
PRODUCT ASSEMBLY

STEP 18



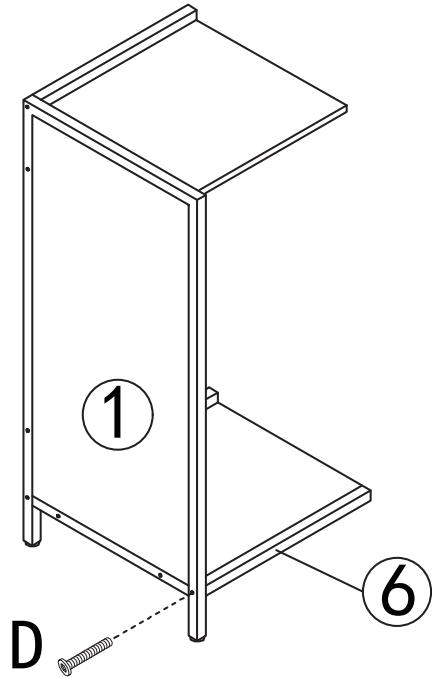
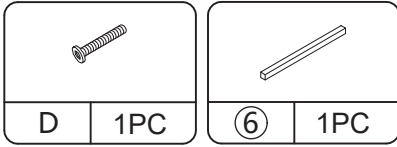
PRODUCT ASSEMBLY

STEP 19



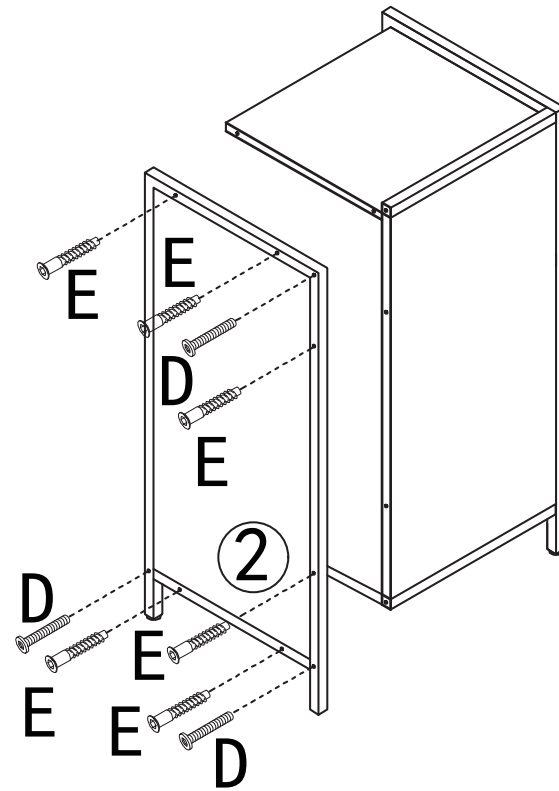
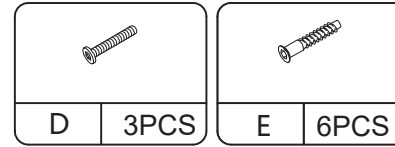
PRODUCT ASSEMBLY

STEP 20



PRODUCT ASSEMBLY

STEP 21

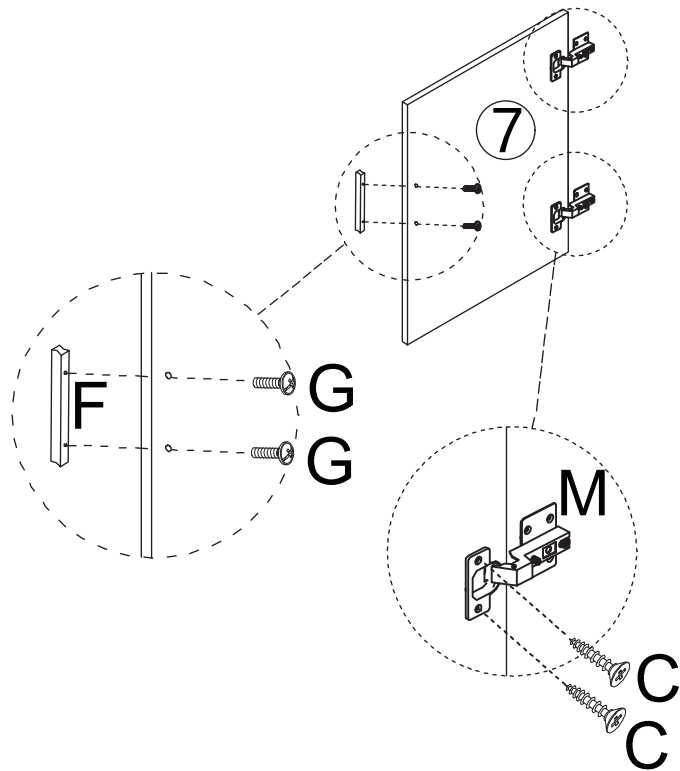


**PRODUCT ASSEMBLY**

**STEP 22**

C 4PCS	F 1PC	G 2PCS	M 2PCS

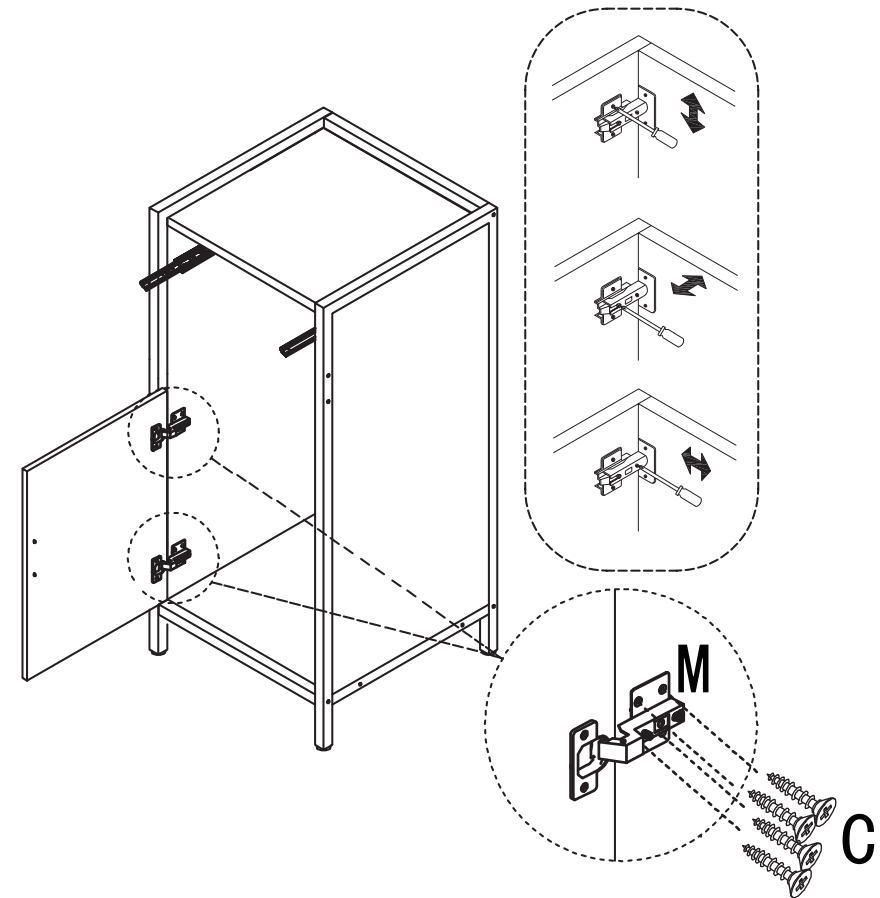
⑦ 1PC



**PRODUCT ASSEMBLY**


**STEP 23**

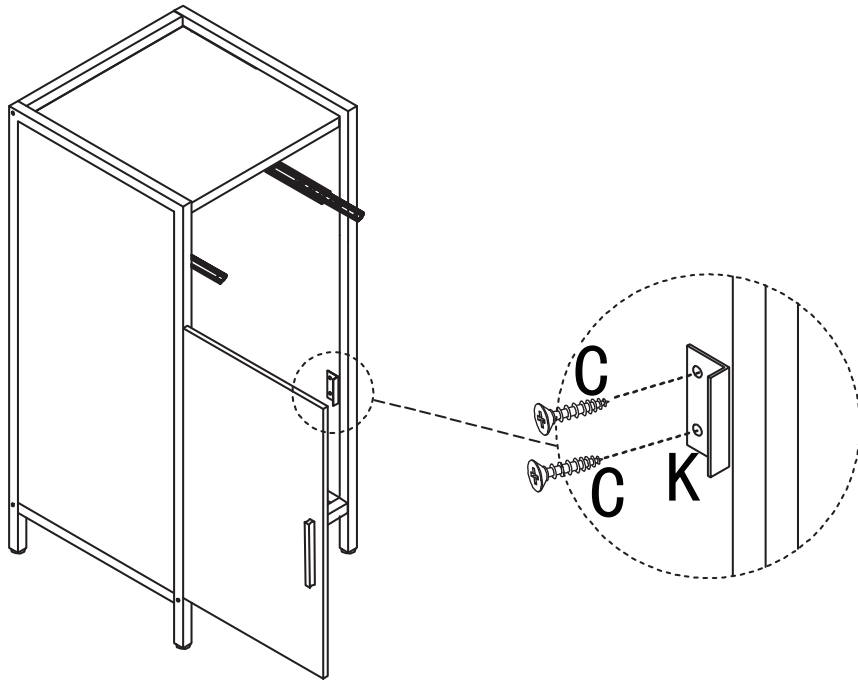
C 8PCS



PRODUCT ASSEMBLY


STEP 24

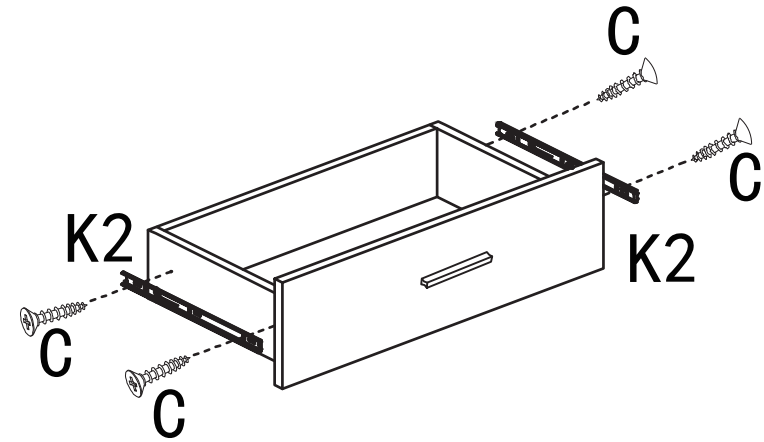
			
C	2PCS	K	1PC



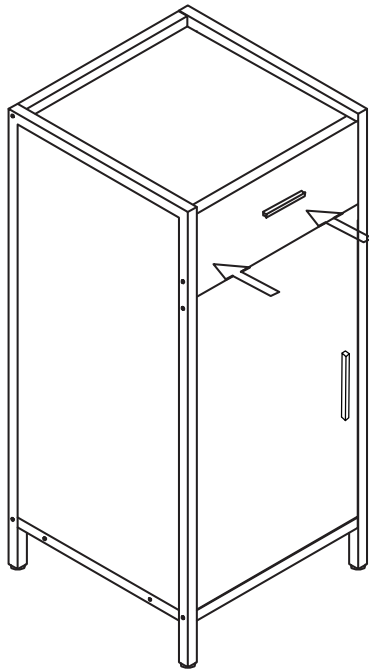
PRODUCT ASSEMBLY

STEP 25

	
C	4PCS



### STEP 26



### STEP 27

