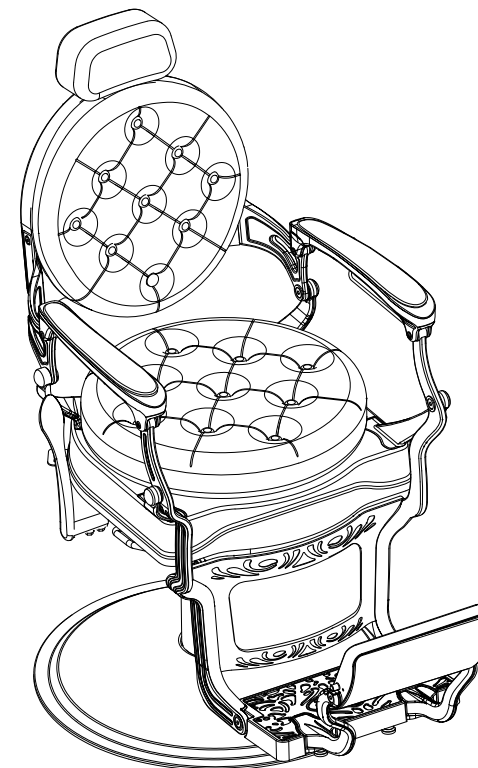


User Manual



Model Number : MR11B0218
MR11E0219



Dear Customer,

Thank you for your purchase.

RESHABLE is created to be the perfect starting spot for any barbers. Supplying top-quality barber supplies like barber chairs, salon stations, rolling makeup cases, styling drawer cabinets, hair tool holders, and more, we help people to keep their barber store running with the best equipment at the most reliable prices.

When you receive the product, please make sure that all the parts are intact. Then please browse the entire installation manual before assembly. If problems occur unsatisfactorily as follows:

a. The outer box is damaged.

b. The product is damaged/bent/cracked while you open the box.

c. The parts/accessories/assembly tools are missing.

d. The product is hard to assemble.

e. The instructions are not clear and can not be referred to.

f. The product has functional problems.

g. Other aspects that you are not satisfied with.

Please do not hesitate to contact us for help (Be sure to mark the SKU NUMBER, e.g., MR11R0246, and the TRACKING NUMBER). Our RESHABLE team with factory direct after-sales service will reply within 24 hours and do our best to resolve the problem for you. Our service is available at any time.

Sincerely,
RESHABLE Team

RESHABLE
for Profession and Creativity!

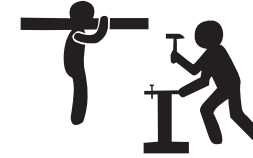
You need

① Tools required

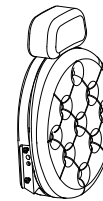


A wrench is required for the assembly.
(not included)

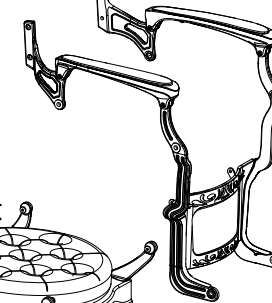
② 2 persons are needed



Backrest



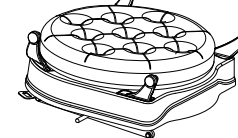
Handrest



Towel Hook



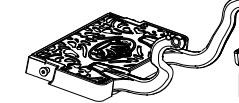
Seat



Reclining Lever

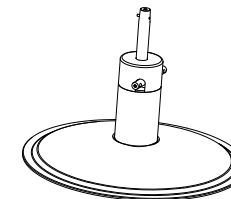


Footrest



Leg Rest

Foot Bar

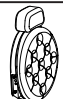



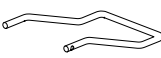

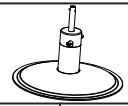








Base

Footrest Support



Hardware List

 Backrest 1PC	 Seat 1PC	 Reclining Lever 1PC	 Towel Hook 1PC
 Foot Bar 1PC	 Leg Rest 1PC	 Base 1PC	 Footrest 1PC
 Footrest Support 3PCS	 Handrest 1PC	 M4 Hexagon Screwdriver 1PC	 M5 Hexagon Screwdriver 1PC
 M6 Hexagon Screwdriver 1PC			

NOTICE:

If your package is missing parts or you are having issues with the installation, please call us directly or message us. Our customer service team will address any questions or concerns you may have.

Have this manual open and ready for reference.

SAFETY:

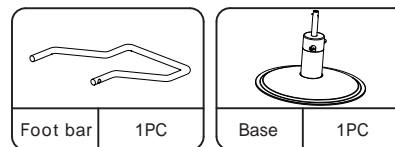
To reduce risk of injury when installing & using the chair, please follow these precautions:

- Read the instructions thoroughly before assembling and using your salon chair.
- It is helpful to have 2 people to install and turn the chair upright after installing.
- Do not overextend the chair, otherwise it will cause the risk of falling or tipping and make the occupant over.

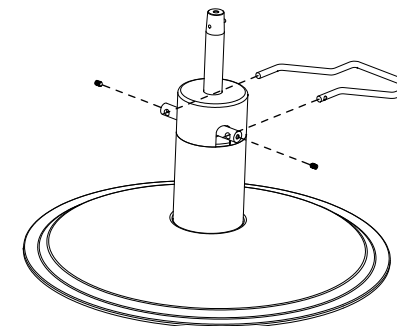
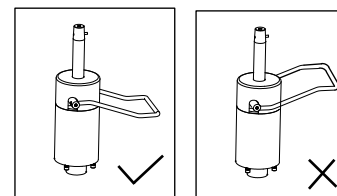
PRODUCT ASSEMBLY

 Check the package contents before getting started !

STEP 1



Note: Please refer to the picture for the assembly direction of the foot lever. Do not install it in the wrong direction.



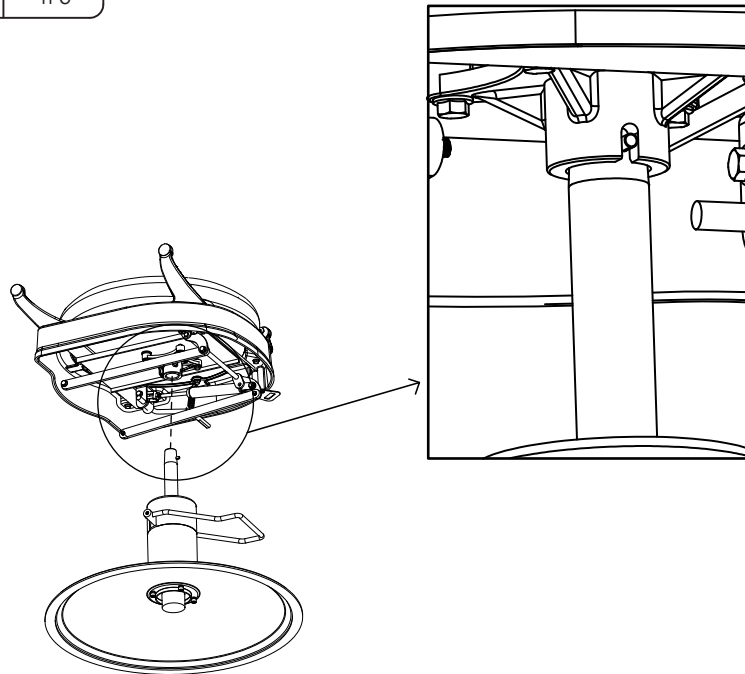
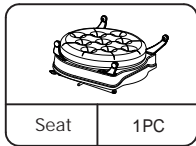
First: Install Foot Lever to Pump

Step 1: Place assembled Base and Pump on the floor. Use Allen Wrench to loosen the screws in the crossbar. See the diagram beside. Insert Foot Lever into the holes of the crossbar. (May require to slightly squeeze the ends of Foot Lever towards each other, and some maneuvering for the ends to go into place.)

Step 2: Tighten the 2 set screws to firmly hold the Foot Lever in place.

PRODUCT ASSEMBLY

STEP 2



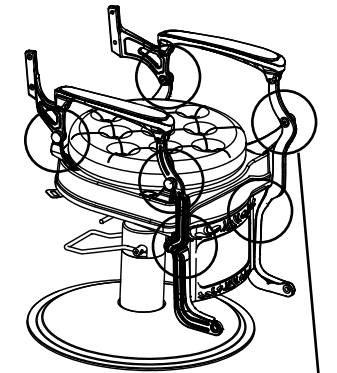
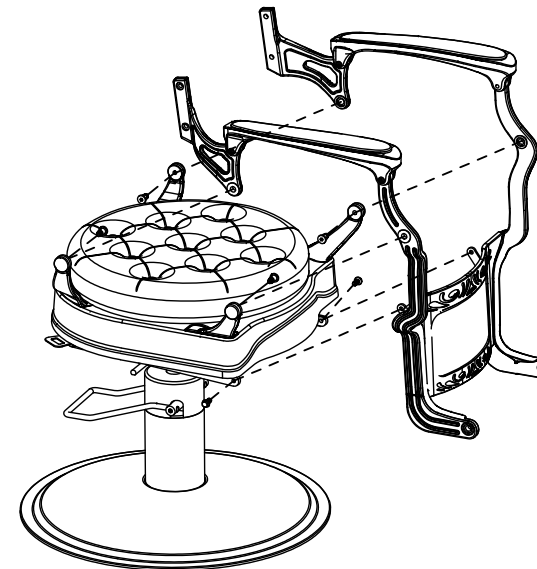
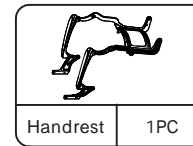
Second: Install the Seat onto the Pump Top

Step 1: Locate the slot on the short column under the Seat. Align this slot with the black pin at the pump top.

Step 2: Set the Seat onto the pump top and press it down.

PRODUCT ASSEMBLY

STEP 3



The circles is the connecting position of big bolt or small bolt

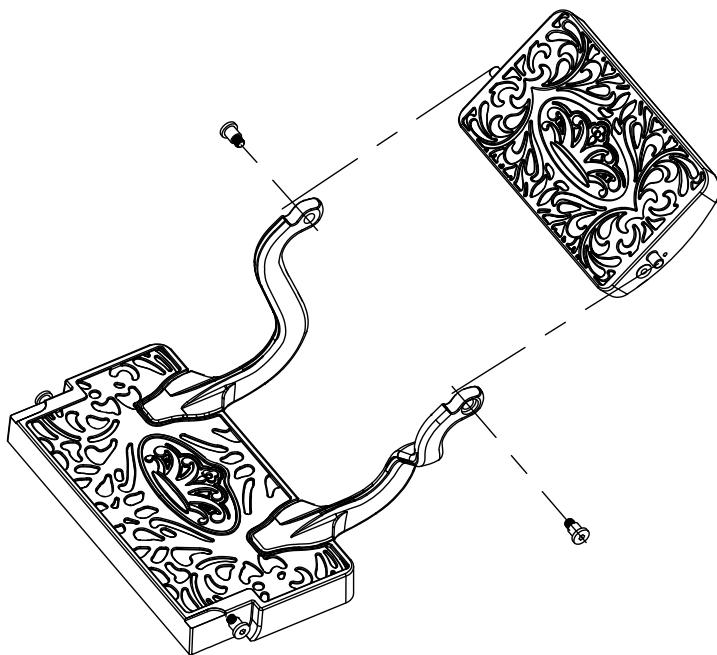
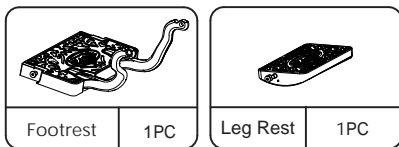
Third: Install Handrest to Seat

Step 1: Remove the 4 big bolts and 2 small bolts prefixed in the seat.

Step 2: Install the handrest to the seat by 4 big bolts and 2 small bolts removed from the seat.

PRODUCT ASSEMBLY

STEP 4

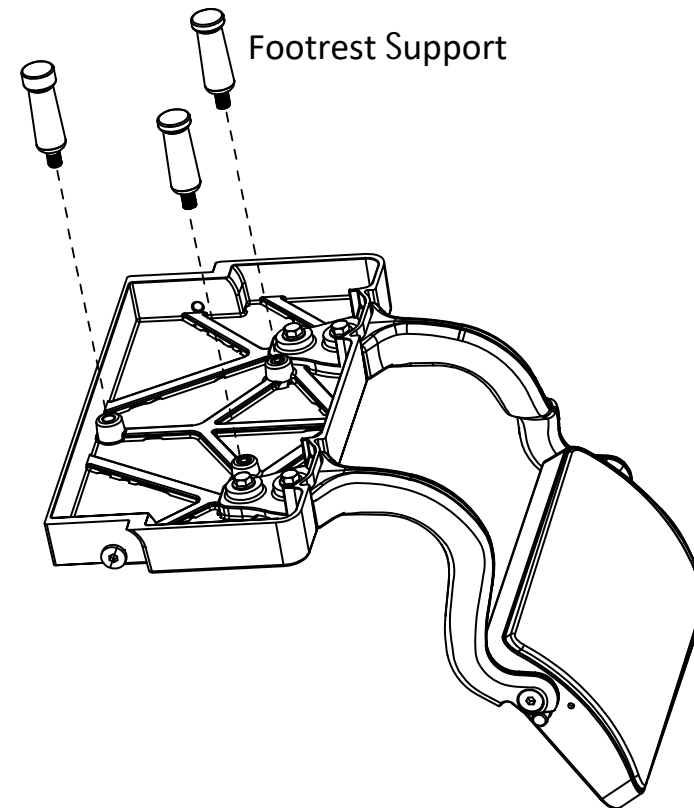
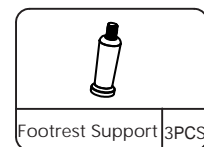


Fourth: Install Leg Rest to Footrest

Step 1: Remove the 2 big bolts prefixed on the leg rest then install the leg rest to the footrest by the 2 big bolts removed from the leg rest.

PRODUCT ASSEMBLY

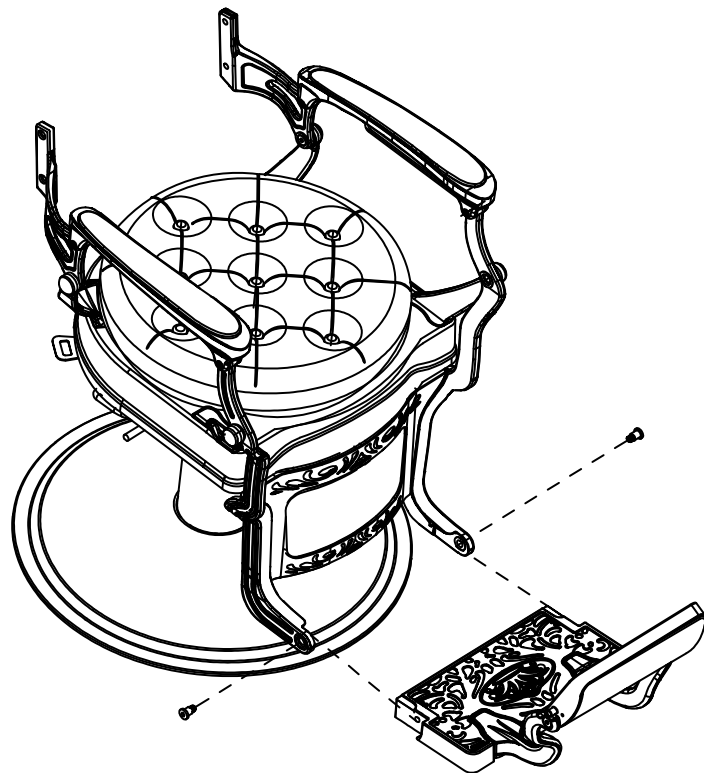
STEP 5



Fifth: Install Footrest Low Support and Footrest High Supports to Footrest

Step 1: Install 3 Footrest Supports to the bottom of the footrest.

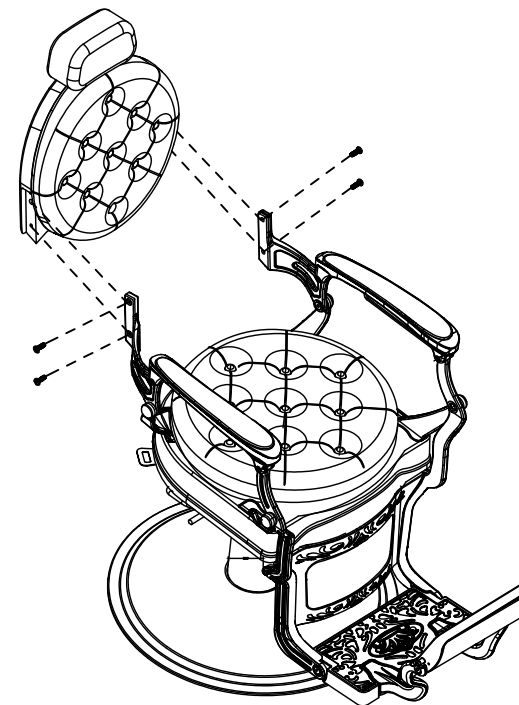
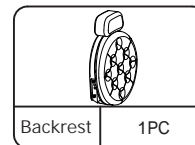
STEP 6



Sixth: Install Footrest to Chair

- Step 1: Remove the 2 big bolts prefixed on the footrest.
- Step 2: Install the footrest to the chair by the big bolts removed from the footrest.

STEP 7

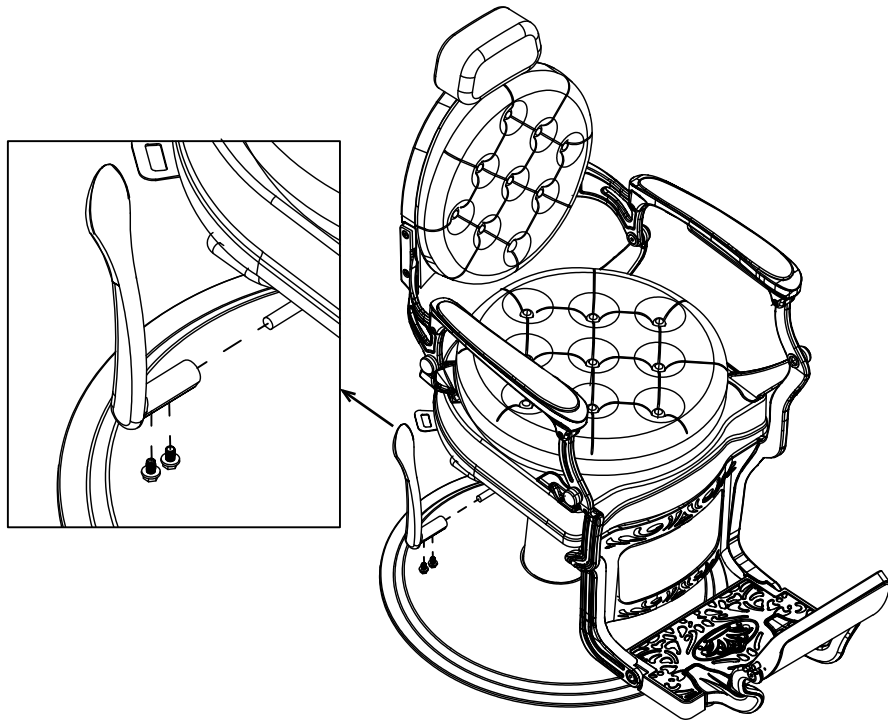
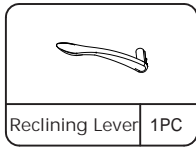


Seventh: Install Backrest to Chair

- Step 1: Removed 4 bolts prefixed on the backrest.
- Step 2: Install the backrest to the chair by the 4 bolts removed from the backrest.

PRODUCT ASSEMBLY

STEP 8

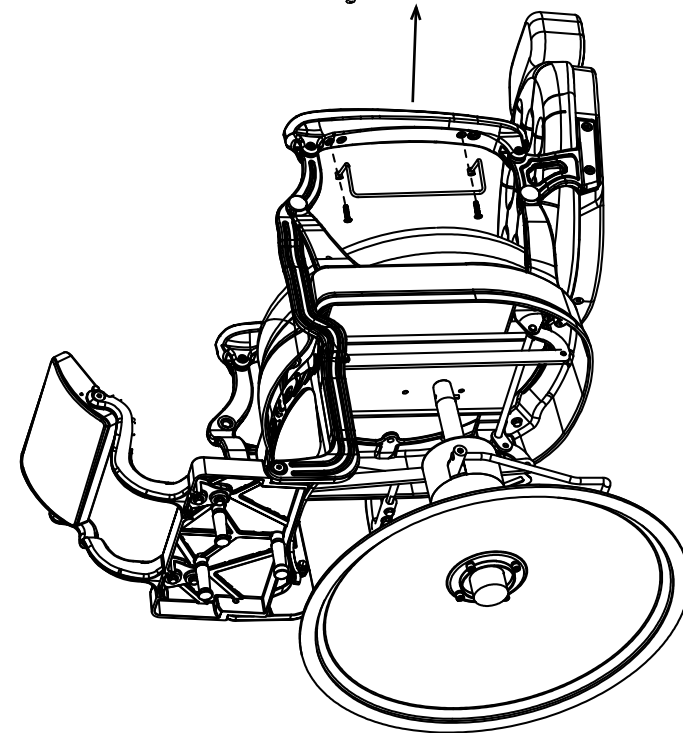
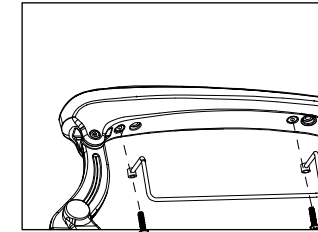
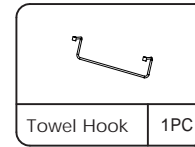


Eighth : Install Reclining Lever to Chair

- Step 1: Loosen the bolts prefixed on the bottom of Reclining Lever.
- Step 2: Set Reclining Lever on to the bent iron bar.
- Step 3: Tighten the bolt prefixed on the bottom of Reclining Lever.

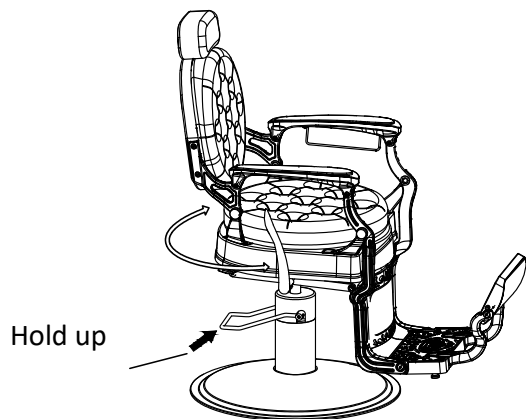
PRODUCT ASSEMBLY

STEP 9



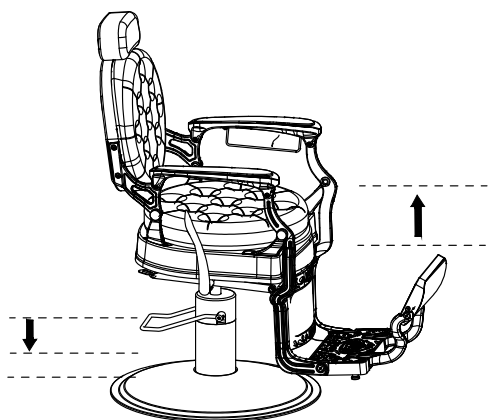
Ninth : Install Towel Hook to Handrest

- Step 1: Removed the 2 bolts prefixed on the handrest.
- Step 2: Install the towel hook to the handrest by the 2 bolts removed from the handrest.



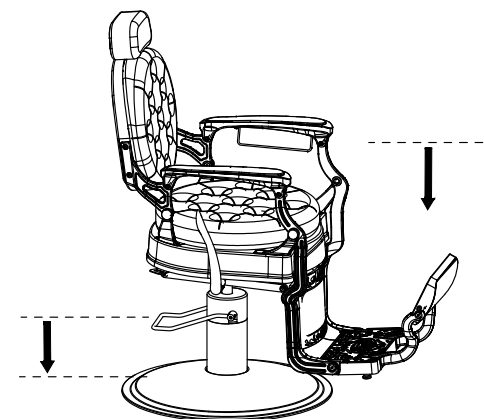
First: Lock & Unlock the rotation

1. In the natural state, the upper part of the pump can rotate freely on the pump rotation axis.
2. Elevate the foot bar to lock the rotating.



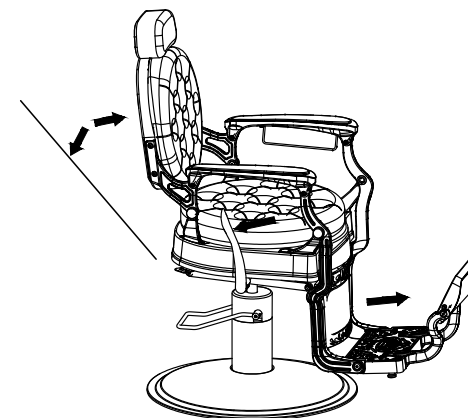
Second: Raise the Chair

1. Step down the foot bar repeatedly to raise the chair to the desired height.
2. Do not overextend the chair, which will cause the risk of falling or tipping the chair and make the occupant over.



Third: Lower the Chair

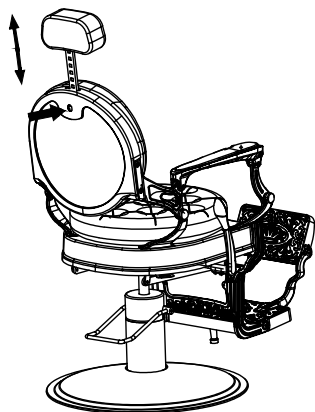
1. Step down foot bar to the bottom and hold it to allow the chair to lower.



Fourth: Recline the Backrest

1. Push the lever backwards (35°-40°) and push the backrest back. The backrest will tilt backwards; loosen the lever to get the tilt degree of the backrest; turn the lever backwards again (35°-40°). The backrest can back to the original position. Don't push the lever too hard or it'll break.

OPERATE THE CHAIR



Fifth: Recline the Headrest

1. You can adjust the height of the headrest by pressing the button on the backrest.

Daily Maintenance

<p>Q: How to maintain the backrest or seat daily?</p>	<p>A: The PVC leather should be cleaned regularly. Spray a little of the leather care solution onto a sponge and then use the sponge to wipe the leather surfaces gently.</p>
<p>Q: How to maintain the hydraulic pump?</p>	<p>A: Keep the surfaces of the hydraulic pump (including the centre shaft) clean. Sit on and raise/lower the chair periodically to expel the air inside. Regularly wipe the hydraulic pump with anti-rust oil.</p>

OPERATE THE CHAIR

Frequently Asked Questions

<p>Q: What if the chair is difficult to rotate?</p>	<p>A: Please check whether the foot lever is stepped to the lowest. If it's the lowest but still has the problem, there could be something wrong with the pump. You need to replace it.</p>
<p>Q: How to prevent the chair from leaning forward?</p>	<p>A: When you sit on the chair and lean all your weight forward deliberately, the chair will indeed tilt. So please notice this point: if both your feet are on the footrest, please sit back as far as you can; meanwhile, please ask the barber or someone else to step the foot lever and set the chair to the lowest when the guest sitting on the chair is ready to stand up. (Note: please remind guests not to stand on the footrest with both feet, please put one foot on the ground first.)</p>
<p>Q: If the chair keeps tilting and cannot be righted, what should I do?</p>	<p>A: In this case, there may be something wrong with the installation. Please check whether the mounting direction of the seat chassis connector is wrong. The direction of the slot in the seat chassis connector should be opposite to that of the footrest (refer to the detail drawing in STEP6). When it is confirmed, please make sure whether the hydraulic pump is properly inserted into the pump pin.</p>
<p>Q: What should I do when the seat cannot be lifted or lowered normally?</p>	<p>A: In this case, there may be air in the pump. Please sit on the chair and raise it to the highest, then lower it. Repeat the above action until it can be used normally.</p>

Dear Customer, if you have any advice or questions on the installation or product after receiving, please give us feedback as soon as possible. We will provide you with professional guidance. Please feel free to use it.