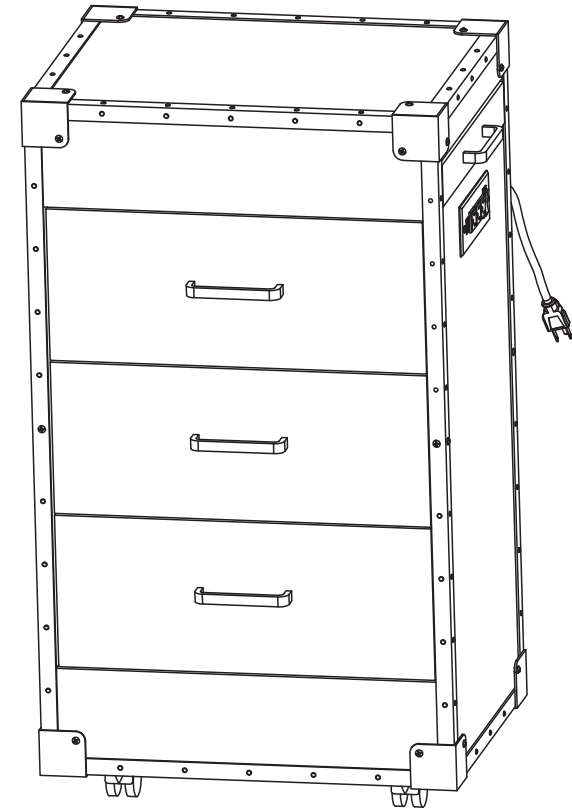


# User Manual



Model Number : MR11E0255



## Dear Customer,

Thank you for your purchase.

RESHABLE is created to be the perfect starting spot for any barbers. Supplying top-quality barber supplies like barber chairs, salon stations, rolling makeup cases, styling drawer cabinets, hair tool holders, and more, we help people to keep their barber store running with the best equipment at the most reliable prices.

When you receive the product, please make sure that all the parts are intact. Then please browse the entire installation manual before assembly. If problems occur unsatisfactorily as follows:

**a. The outer box is damaged.**

**b. The product is damaged/bent/cracked while you open the box.**

**c. The parts/accessories/assembly tools are missing.**

**d. The product is hard to assemble.**

**e. The instructions are not clear and can not be referred to.**

**f. The product has functional problems.**

**g. Other aspects that you are not satisfied with.**

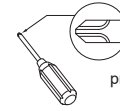
Please do not hesitate to contact us for help (Be sure to mark the SKU NUMBER, e.g., MR11R0246, and the TRACKING NUMBER). Our RESHABLE team with factory direct after-sales service will reply within 24 hours and do our best to resolve the problem for you. Our service is available at any time.

Sincerely,  
RESHABLE Team

**RESHABLE**  
for Profession and Creativity!

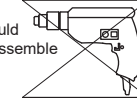
## You need

### 1 Tools required

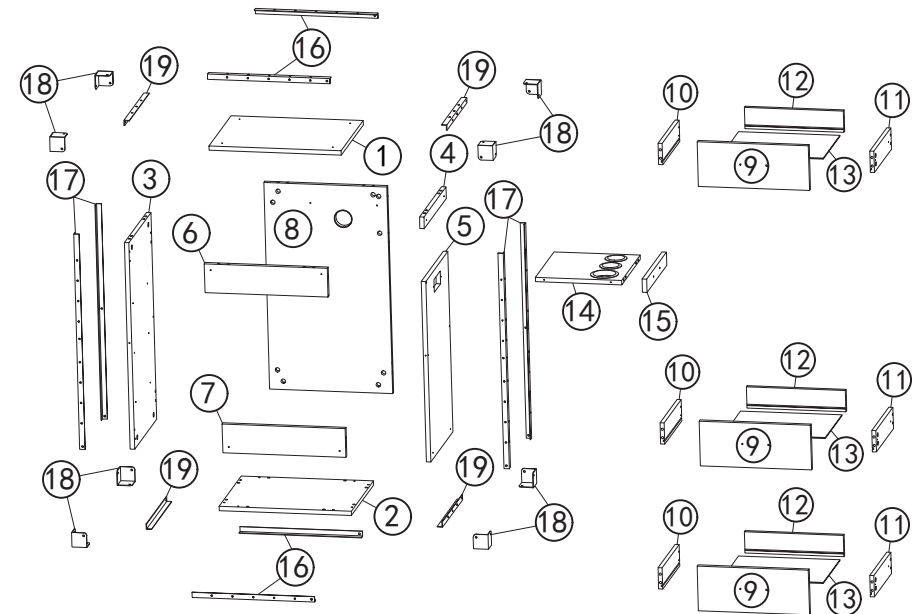


A Phillips head screwdriver is required for the assembly of this product. (not included)

Power tools should not be used to assemble this product.



### 2 2 persons needed



# Hardware List

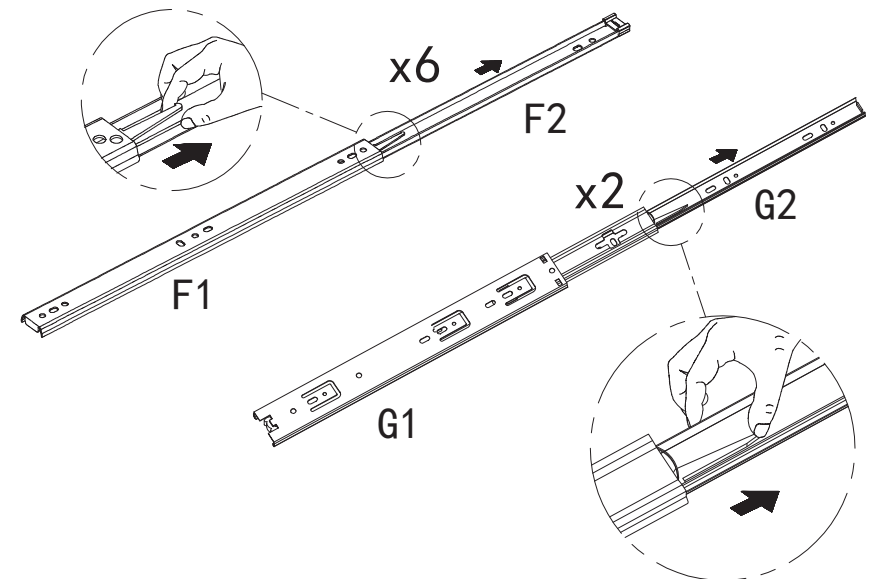
① 1PC	② 1PC	③ 1PC	④ 1PC
⑤ 1PC	⑥ 1PC	⑦ 1PC	⑧ 1PC
⑨ 3PCS	⑩ 3PCS	⑪ 3PCS	⑫ 3PCS
⑬ 3PCS	⑭ 1PC	⑮ 1PC	⑯ 4PCS
⑰ 4PCS	⑱ 8PCS	⑲ 4PCS	A 43PCS $\phi 6 \times 35\text{mm}$
B 43PCS $\phi 15 \times 12\text{mm}$	C 22PCS $\phi 8 \times 30\text{mm}$	D 32PCS $\phi 3.5 \times 16\text{mm}$	E 13PCS $\phi 4 \times 35\text{mm}$
F 6PCS	G 2PCS	H 42PCS $\phi 3.5 \times 16\text{mm}$	J 4PCS
K 8PCS $\phi 4 \times 18\text{mm}$	L 1PC	M 2PCS	N 2PCS

$\phi 3.5 \times 8\text{mm}$	
P 8PCS	Q 1PC

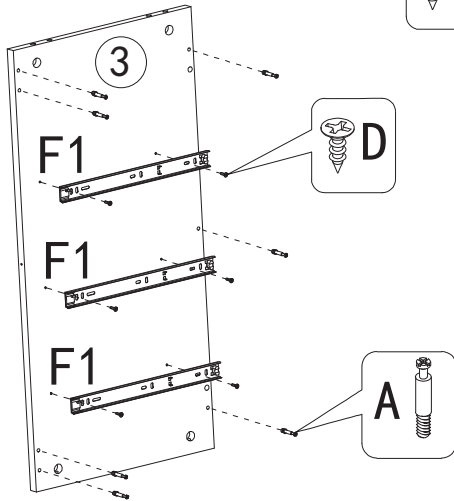
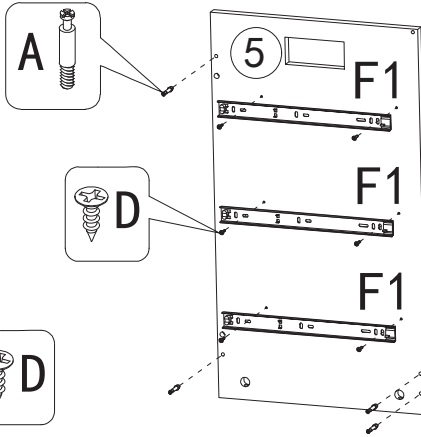
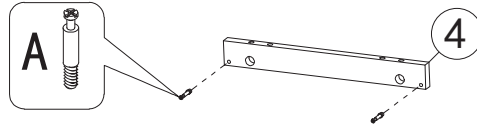
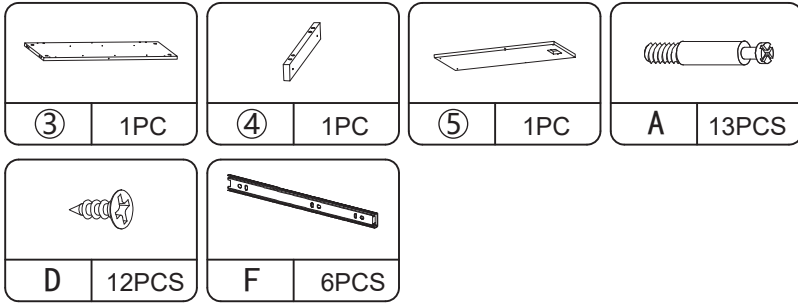
**!** Check the package contents before getting started!

## STEP 1

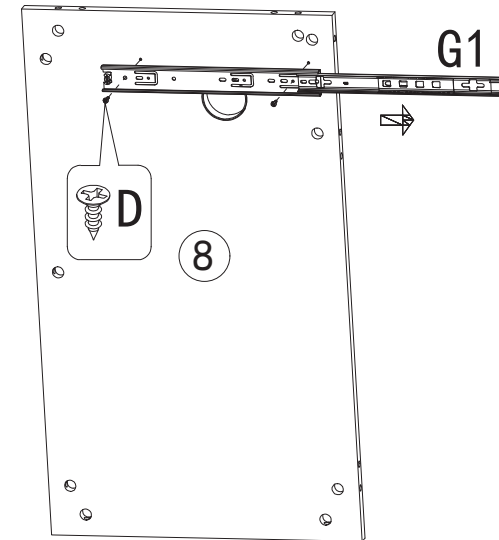
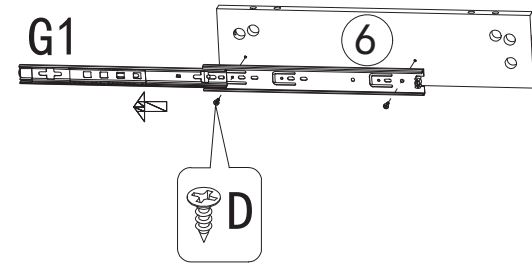
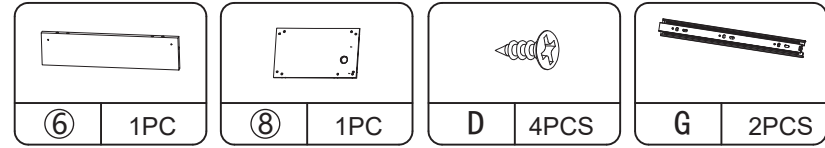
F 6PCS	G 2PCS



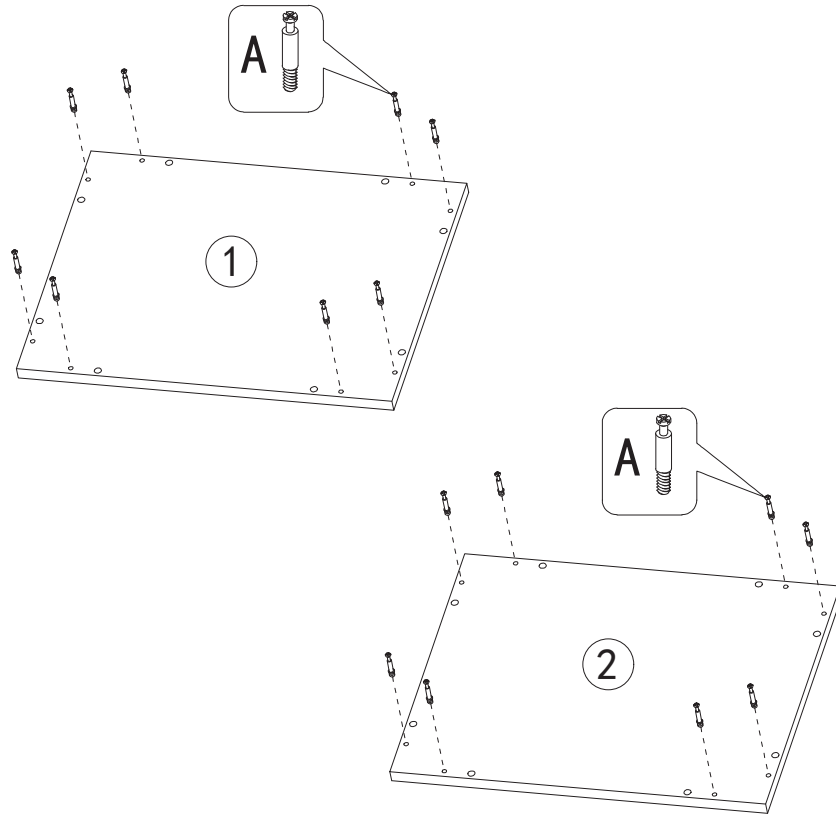
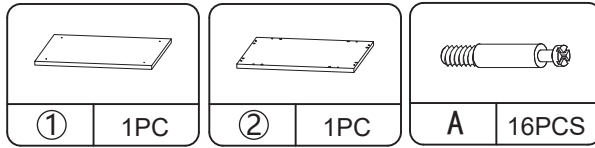
## STEP 2



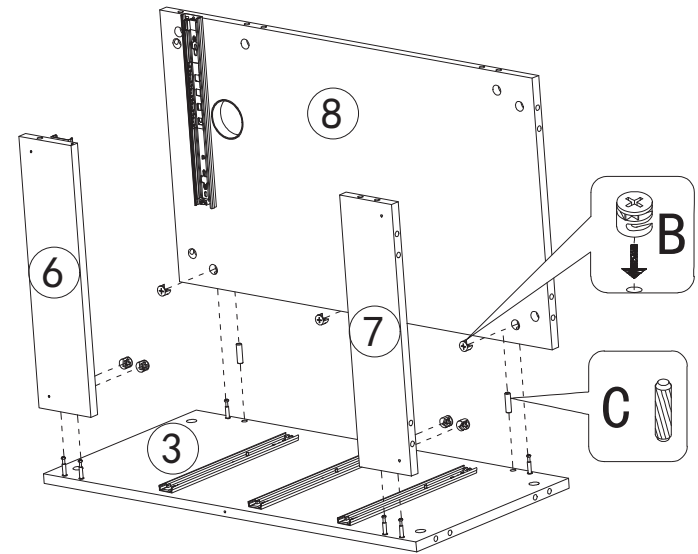
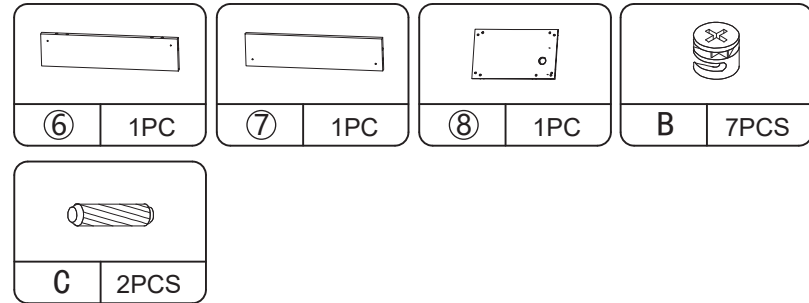
## STEP 3



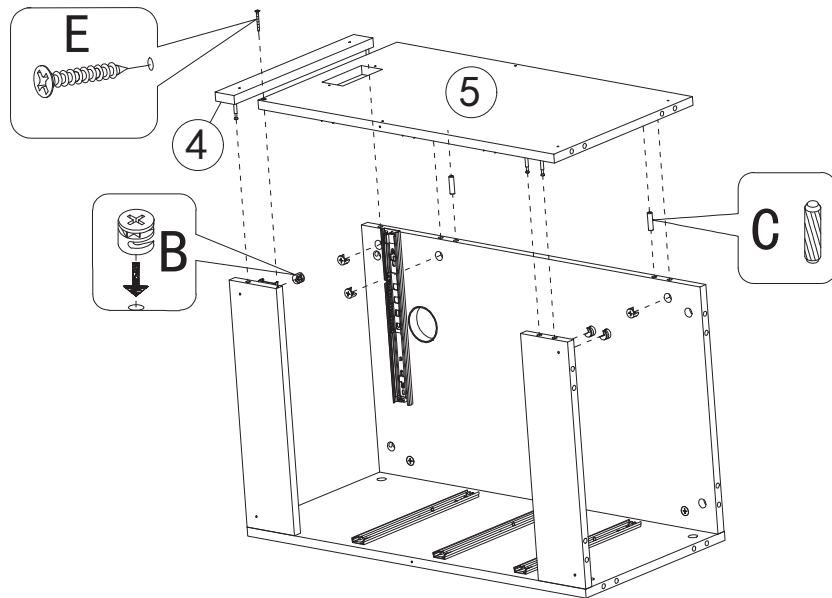
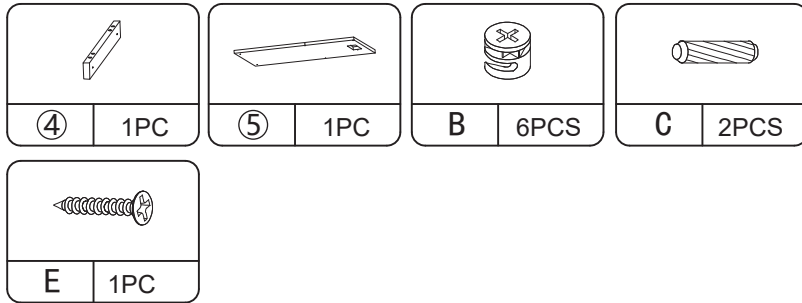
### STEP 4



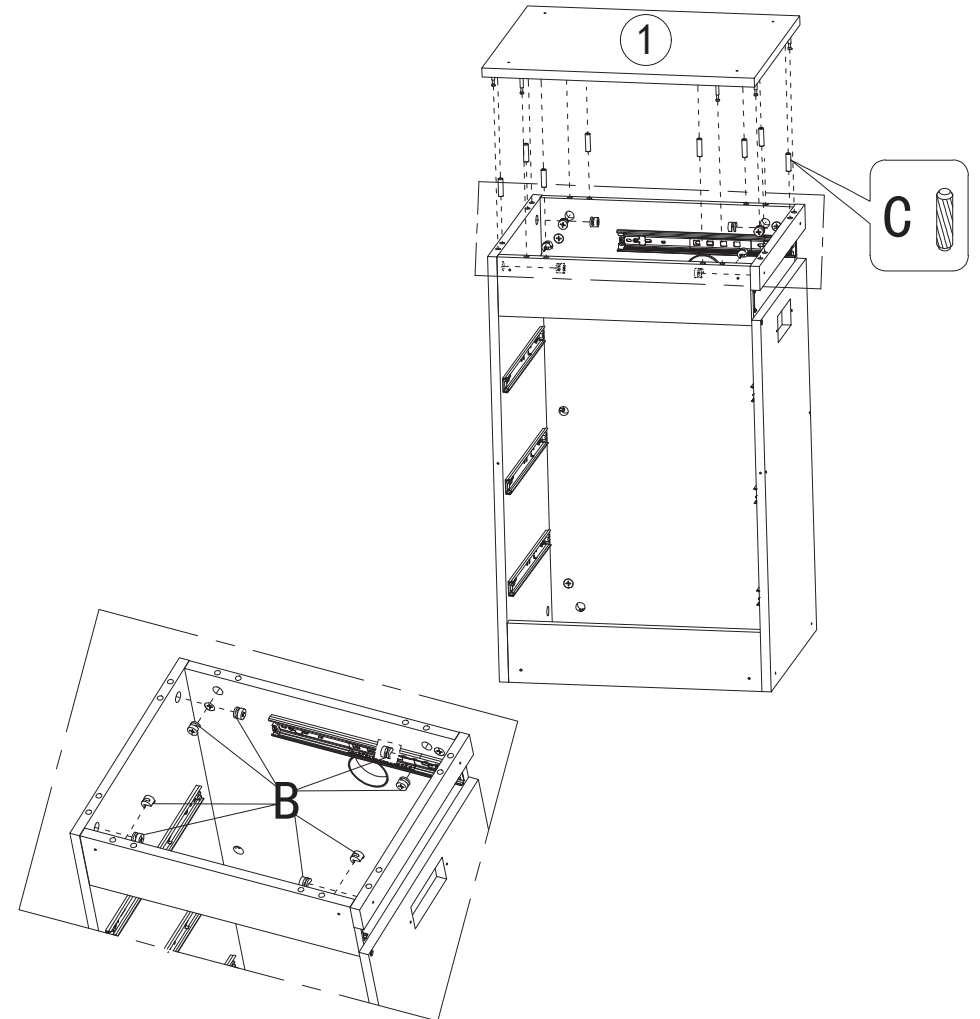
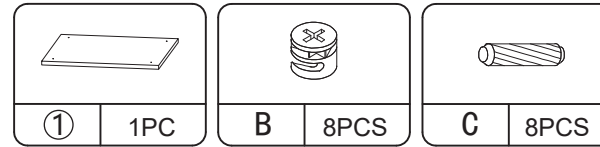
### STEP 5



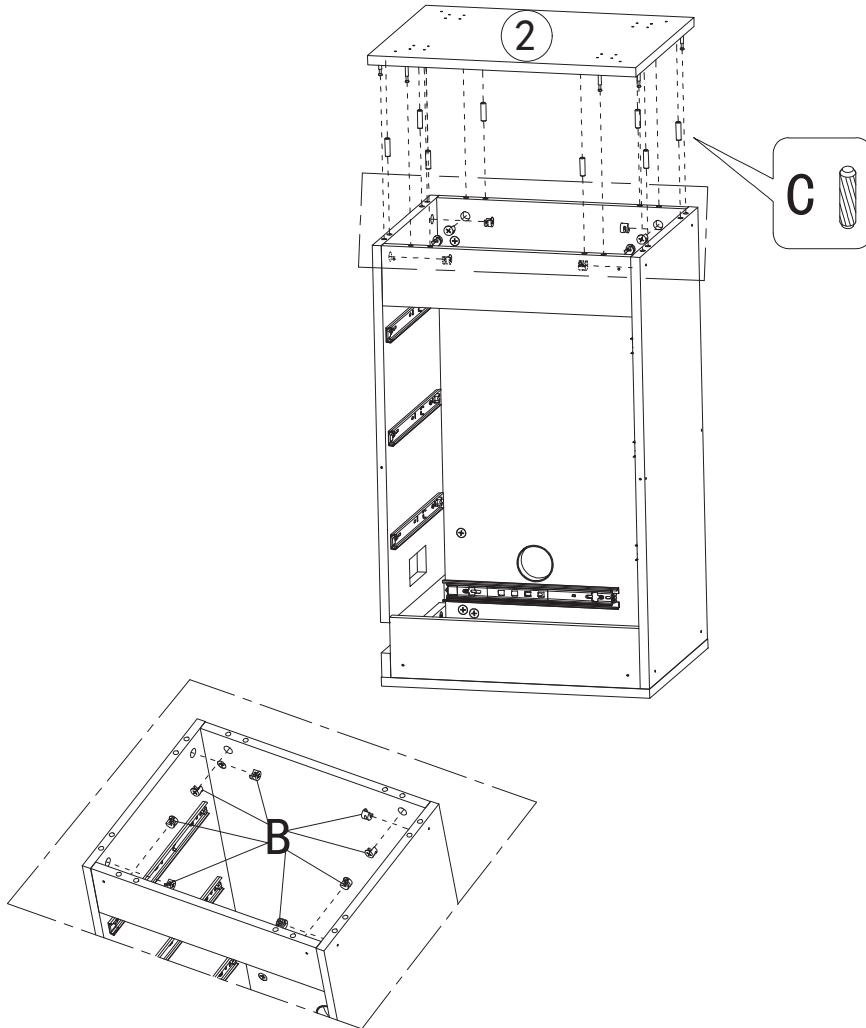
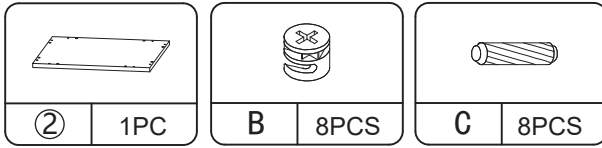
## STEP 6



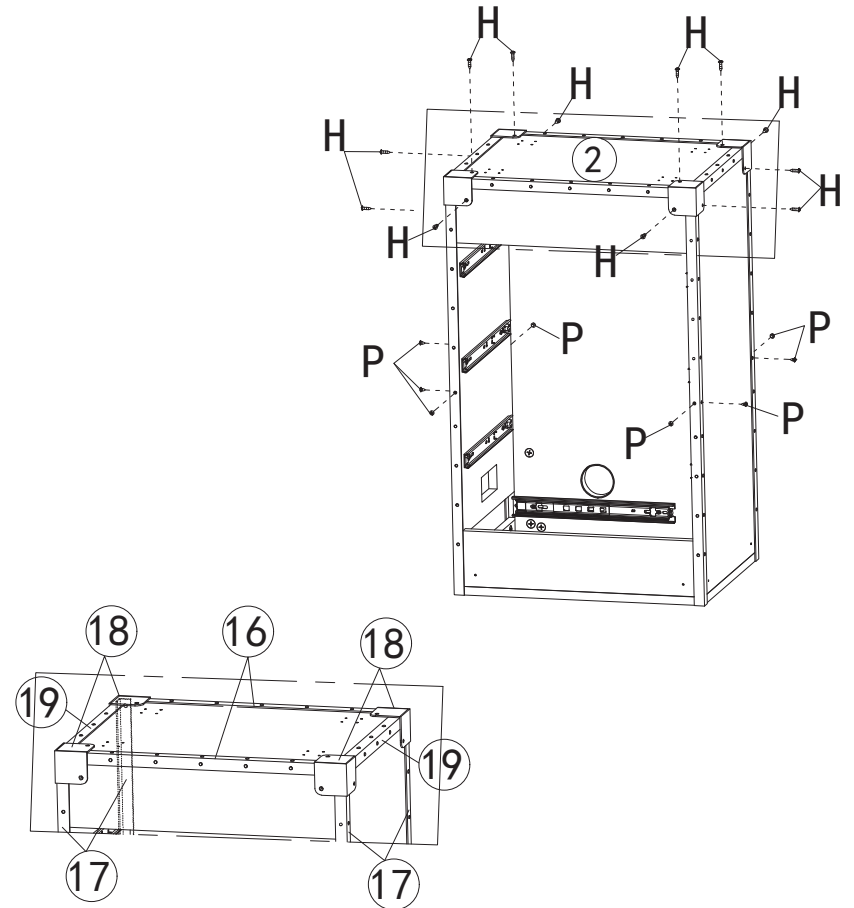
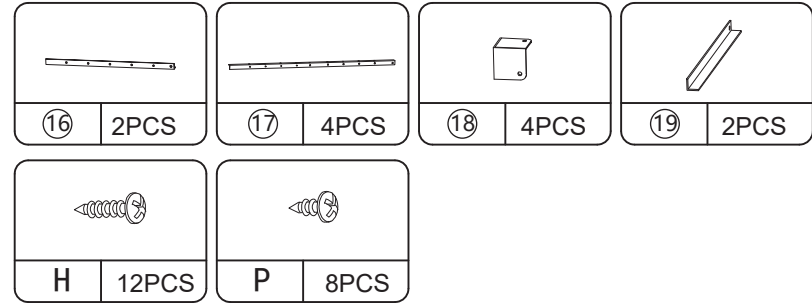
## STEP 7






### STEP 8

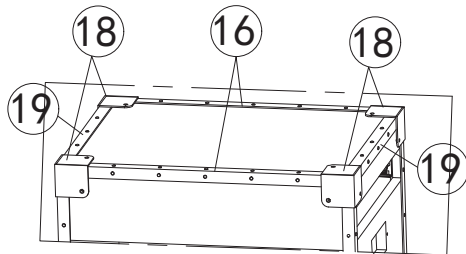
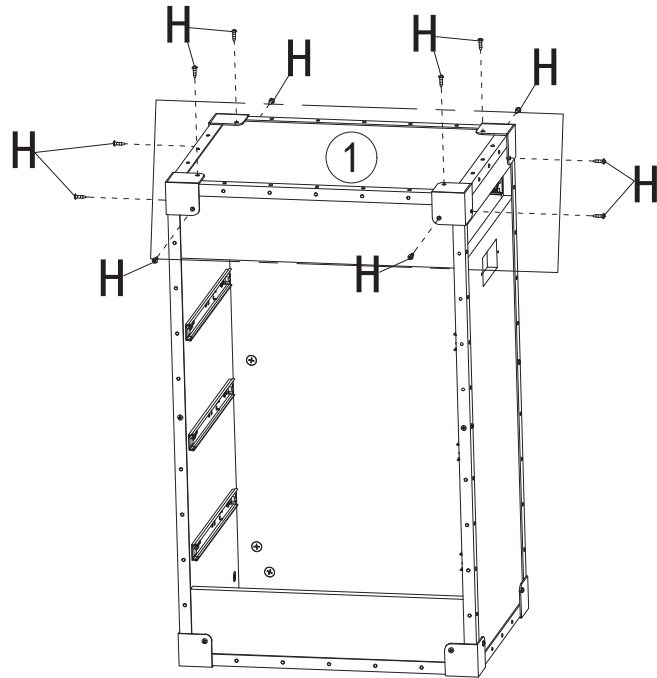


### STEP 9






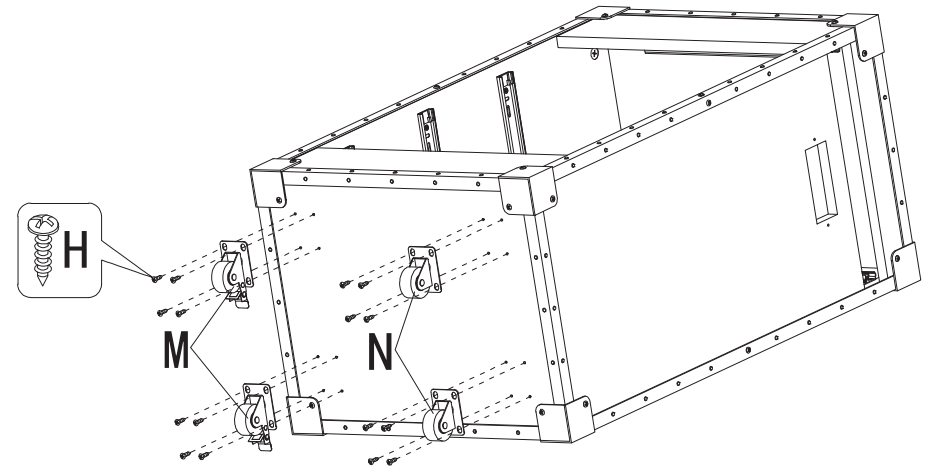
### STEP 10

			
16	2PCS	18	4PCS
		19	2PCS
		H	12PCS




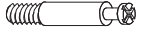
### STEP 11

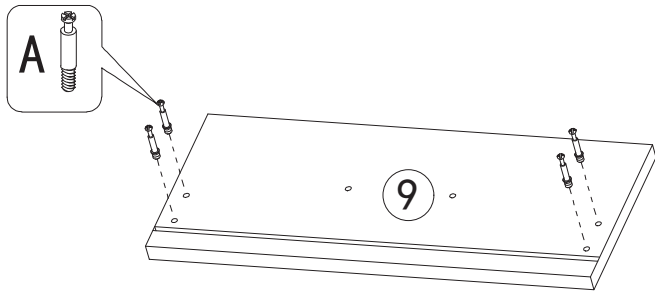
		
H	M	N
16PCS	2PCS	2PCS









### STEP 12

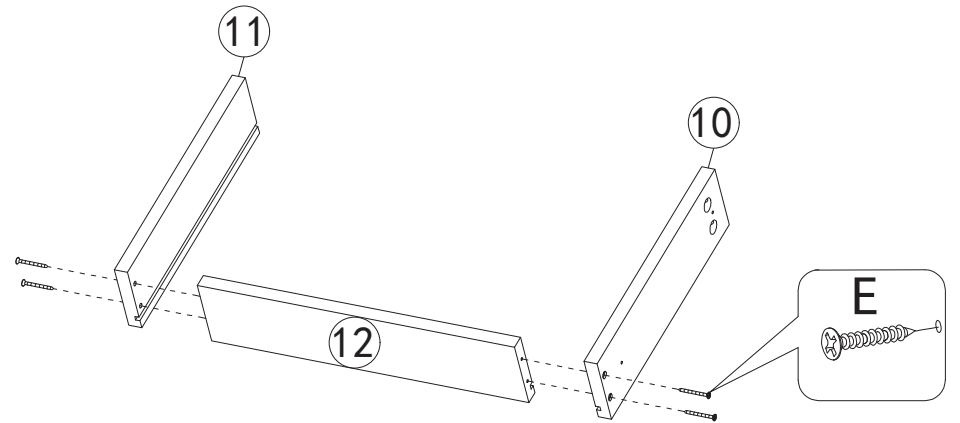
	
⑨ 3PCS	A 12PCS



x 3

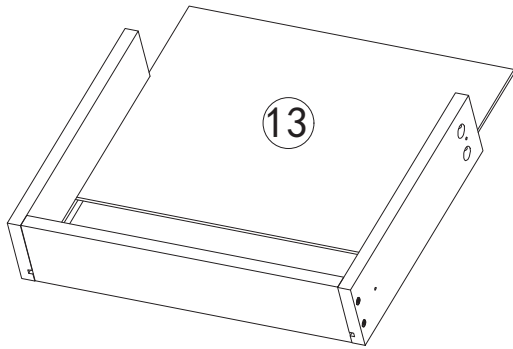
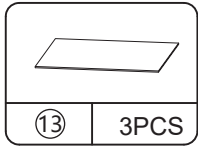
### STEP 13

			
⑩ 3PCS	⑪ 3PCS	⑫ 3PCS	E 12PCS



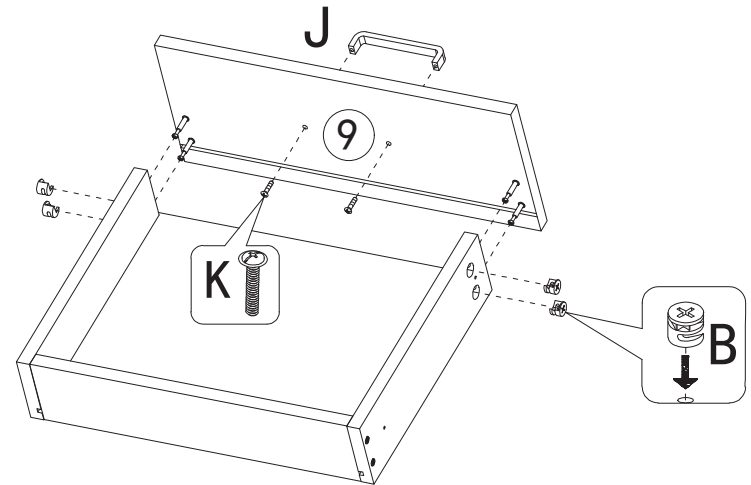
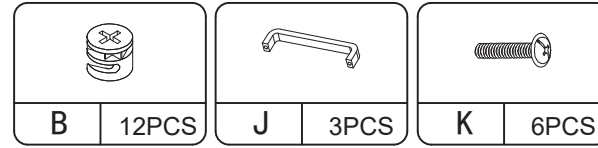
x 3

### STEP 14





x 3

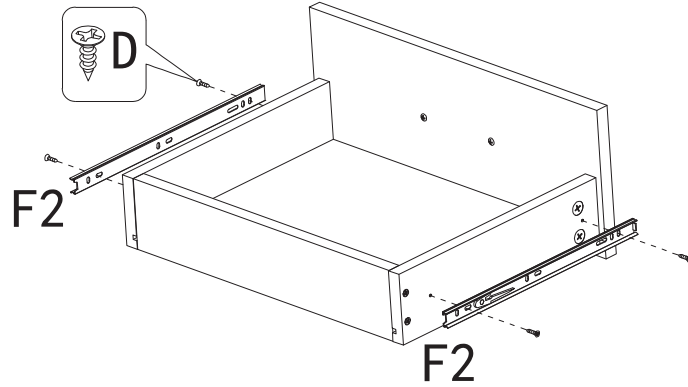
### STEP 15



x 3

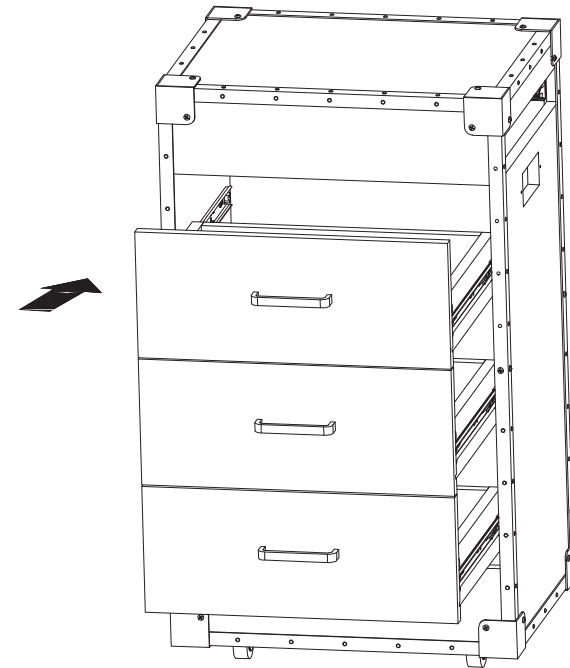
### STEP 16

			
D	12PCS	F	6PCS

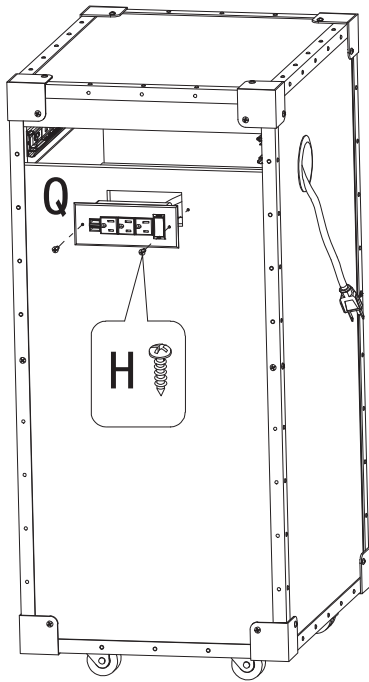
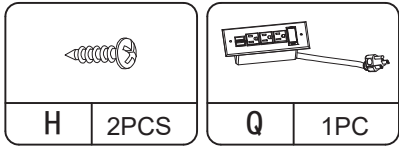


x 3

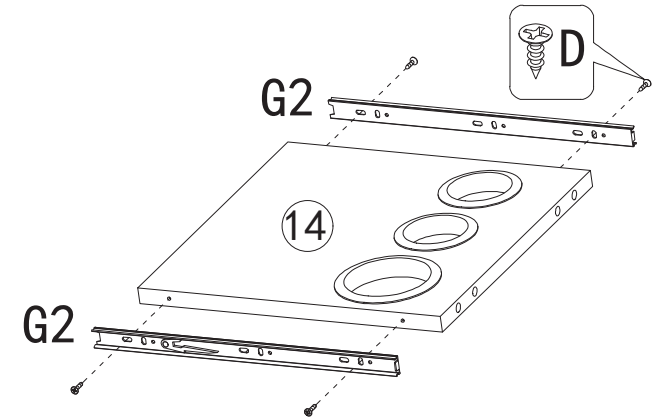
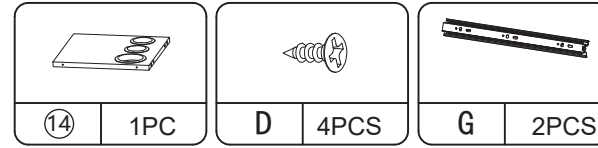
### STEP 17



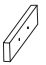
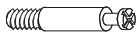


### STEP 18

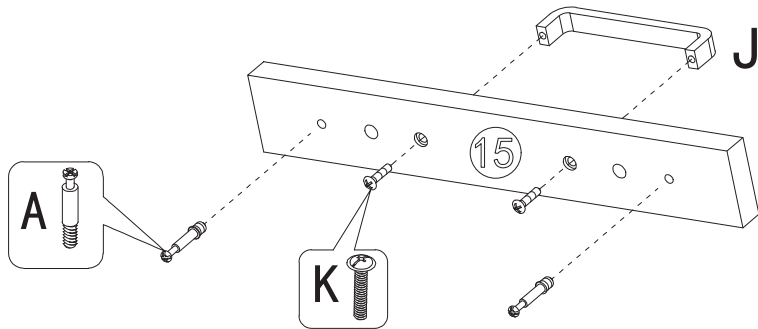


### STEP 19





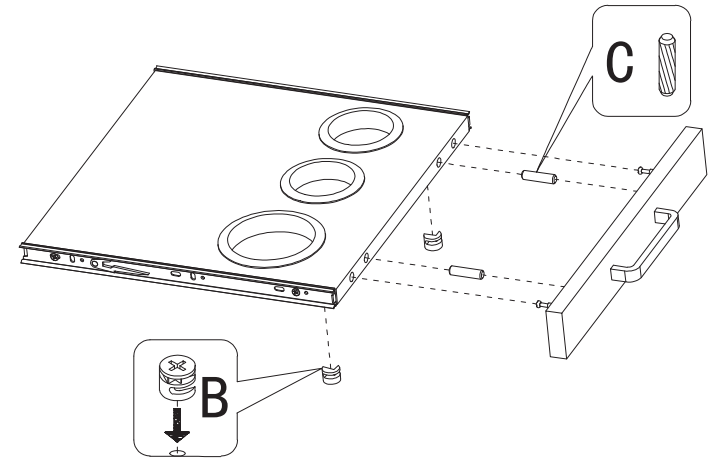
### STEP 20

			
⑮ 1PC	A 2PCS	J 1PC	K 2PCS

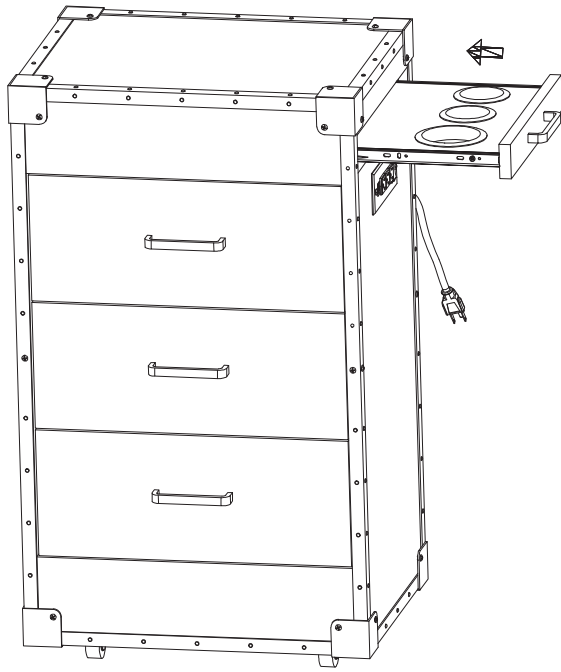


### STEP 21

	
B 2PCS	C 2PCS



**STEP 22**



**STEP 23**

