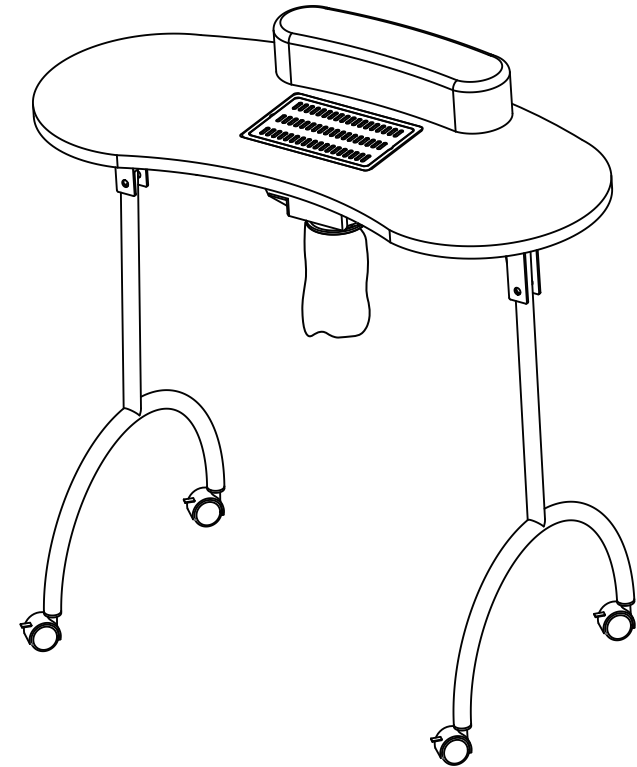


User Manual



Model Number: MR11F0220
MR11G0221



Dear Customer,

Thank you for your purchase.

RESHABLE is created to be the perfect starting spot for any barbers. Supplying top-quality barber supplies like barber chairs, salon stations, rolling makeup cases, styling drawer cabinets, hair tool holders, and more, we help people to keep their barber store running with the best equipment at the most reliable prices.

When you receive the product, please make sure that all the parts are intact. Then please browse the entire installation manual before assembly. If problems occur unsatisfactorily as follows:

a. The outer box is damaged.

b. The product is damaged/bent/cracked while you open the box.

c. The parts/accessories/assembly tools are missing.

d. The product is hard to assemble.

e. The instructions are not clear and can not be referred to.

f. The product has functional problems.

g. Other aspects that you are not satisfied with.

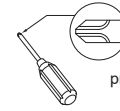
Please do not hesitate to contact us for help (Be sure to mark the SKU NUMBER, e.g., MR11R0246, and the TRACKING NUMBER). Our RESHABLE team with factory direct after-sales service will reply within 24 hours and do our best to resolve the problem for you. Our service is available at any time.

Sincerely,
RESHABLE Team

RESHABLE
for Profession and Creativity!

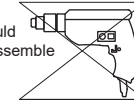
You need

① Tools required

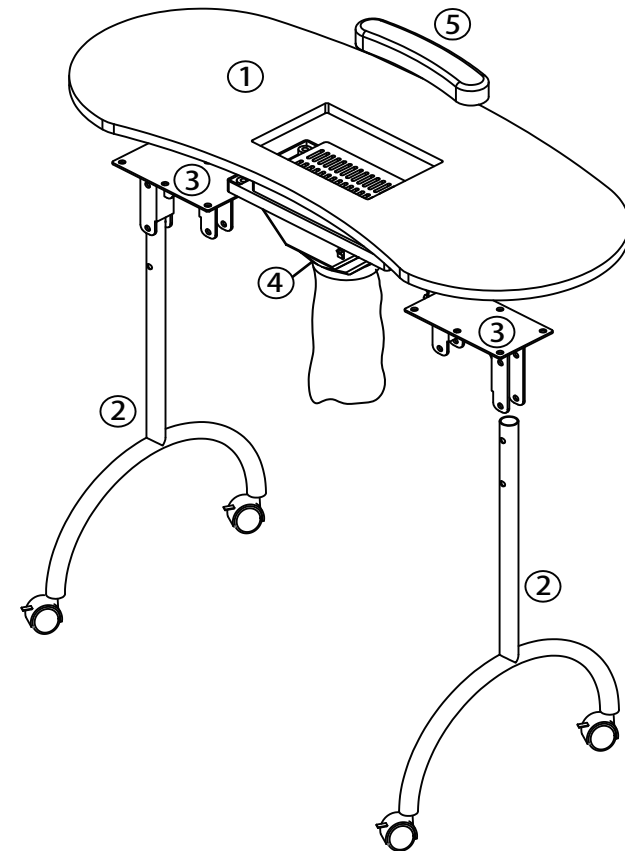


A Phillips head screwdriver is required for the assembly of this product. (not included)



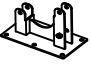



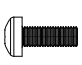
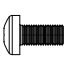

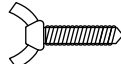





Power tools should not be used to assemble this product.



② 1 person is needed

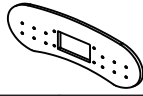
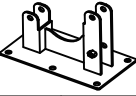
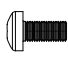


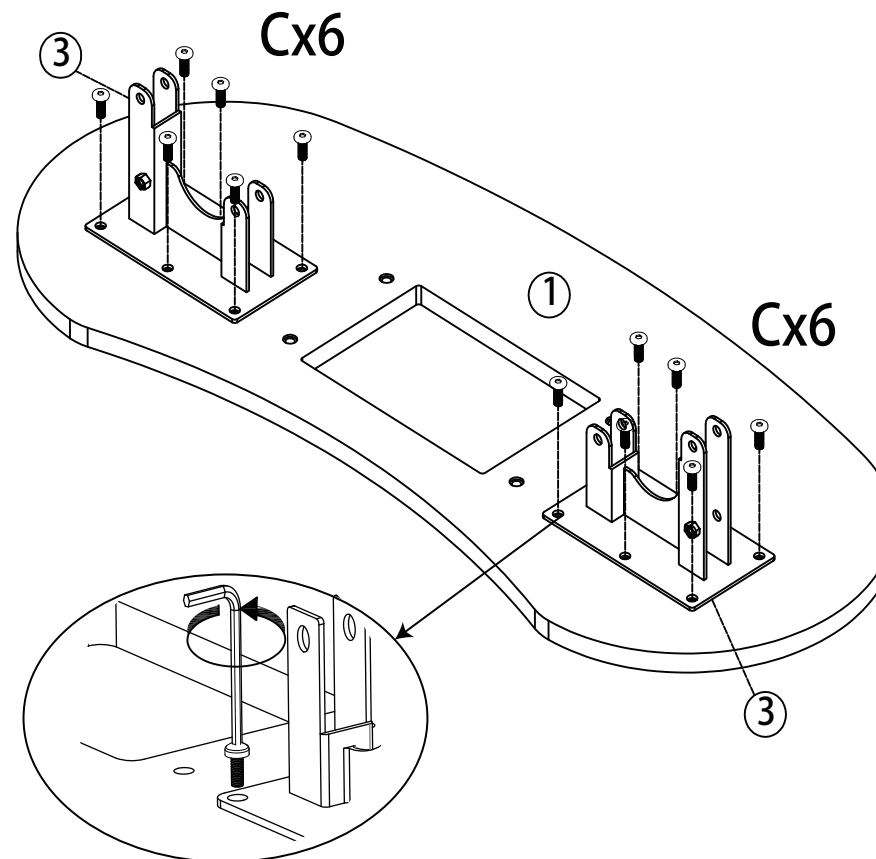
Hardware List

 900x400x18 mm ① 1PC	 653x400x25mm ② 2PCS	 180x98x128mm ③ 2PCS	 299x149x129mm ④ 1PC
 380x110x70mm ⑤ 1PC	 M8 x 45mm A 2PCS	 M6x15mm B 4PCS	 M6x12mm C 12PCS
 M8 D 2PCS	 M6x20mm E 4PCS	 M4 F 1PC	 G 1PC
 52x30x50mm H 4PCS	 910x440x160mm I 1PC	 M5 J 1PC	

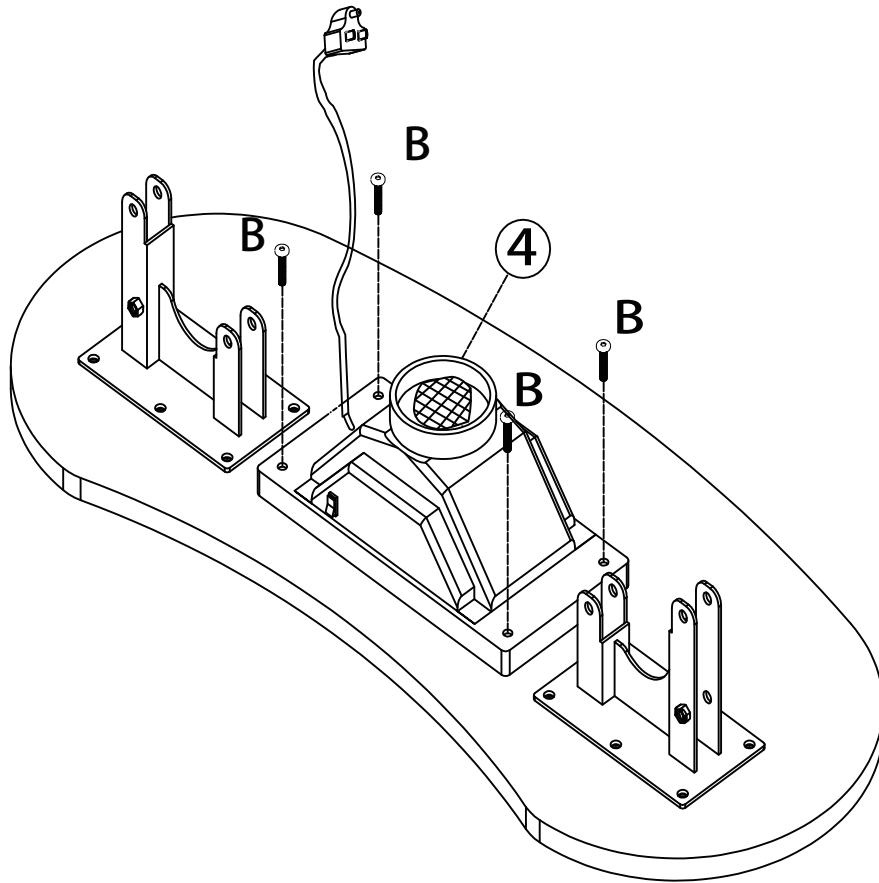
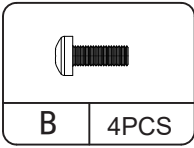
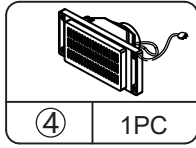
⚠ Check the package contents before getting started !

STEP 1

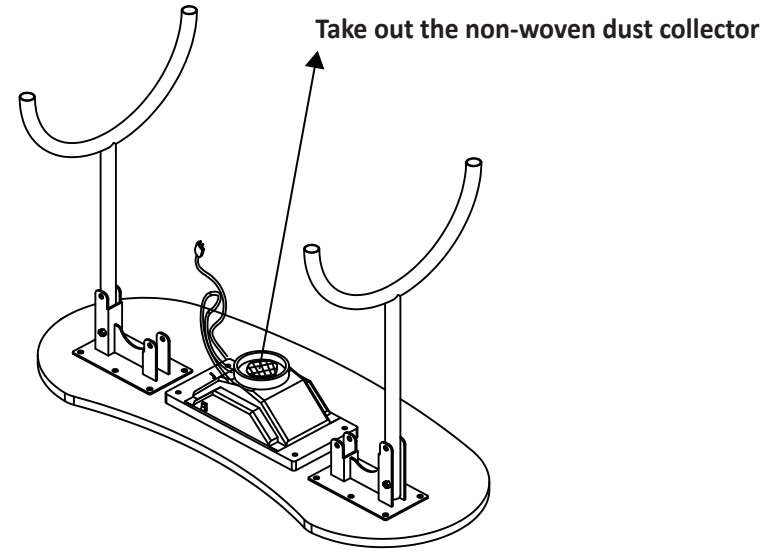
 ① 1PC	 ③ 2PCS	 C 12PCS
--	---	--



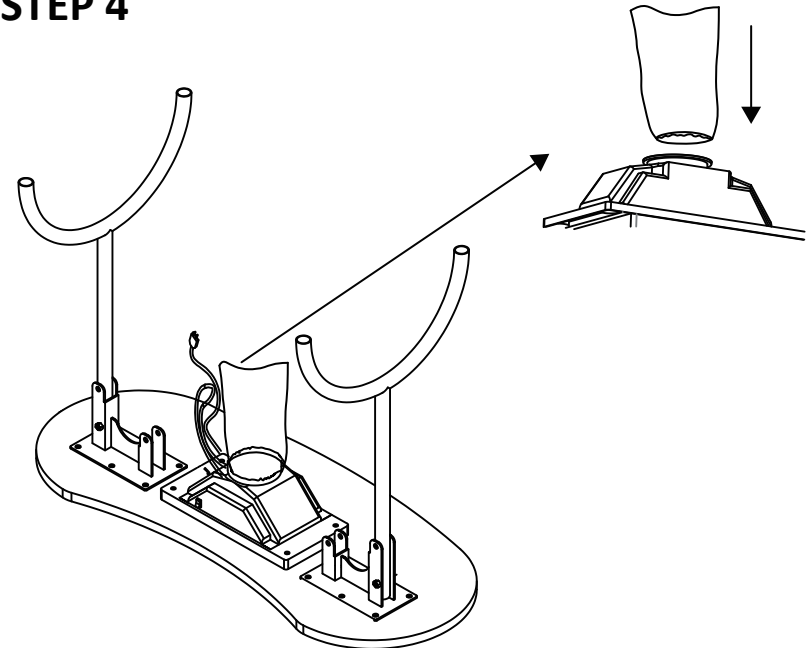
STEP 2



STEP 3

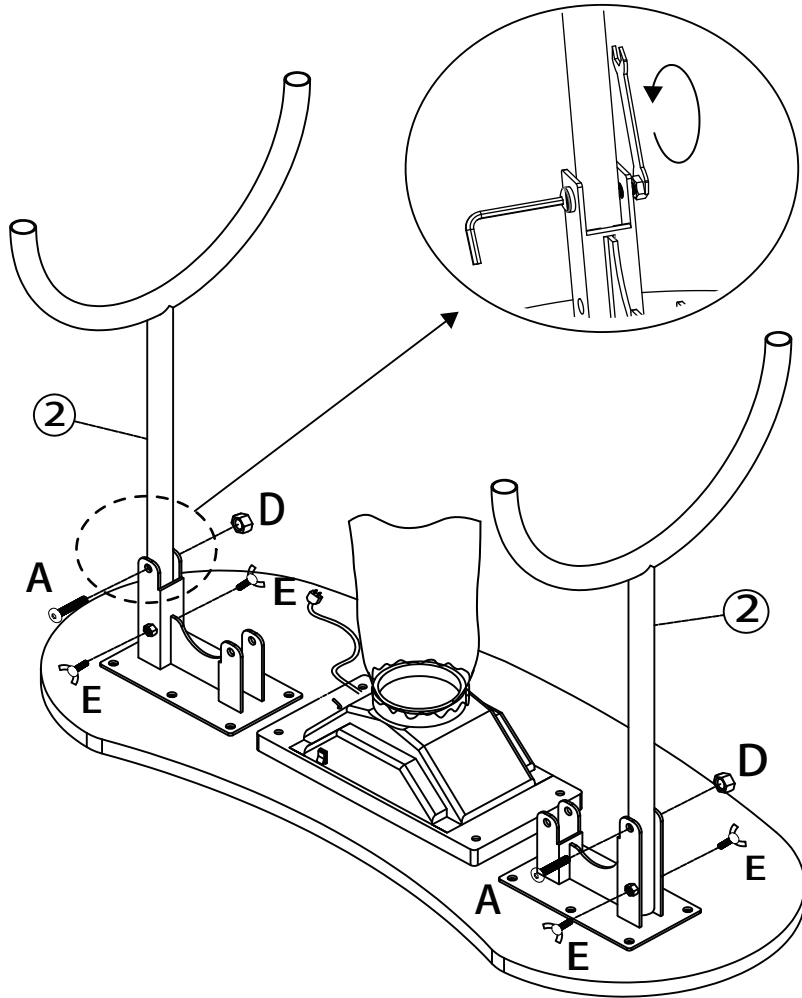


STEP 4



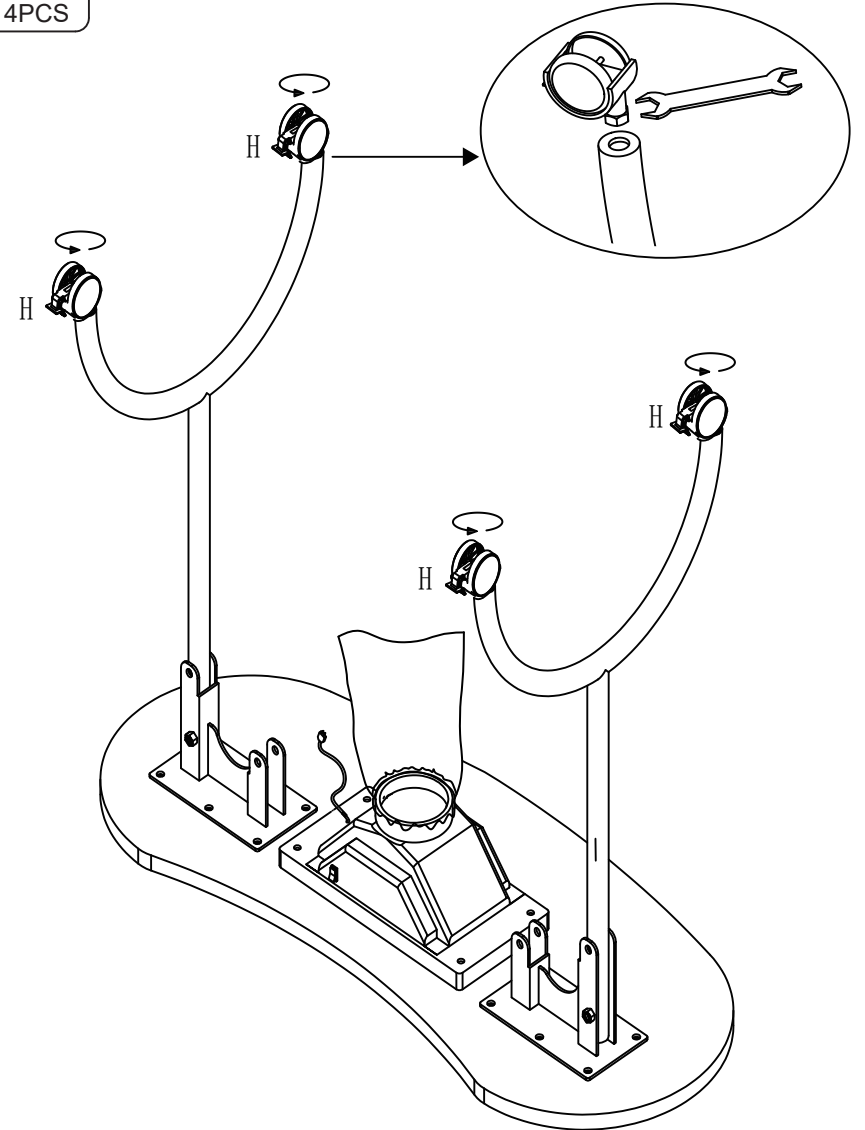
STEP 5

② 2PCS	A 2PCS	D 2PCS	E 4PCS

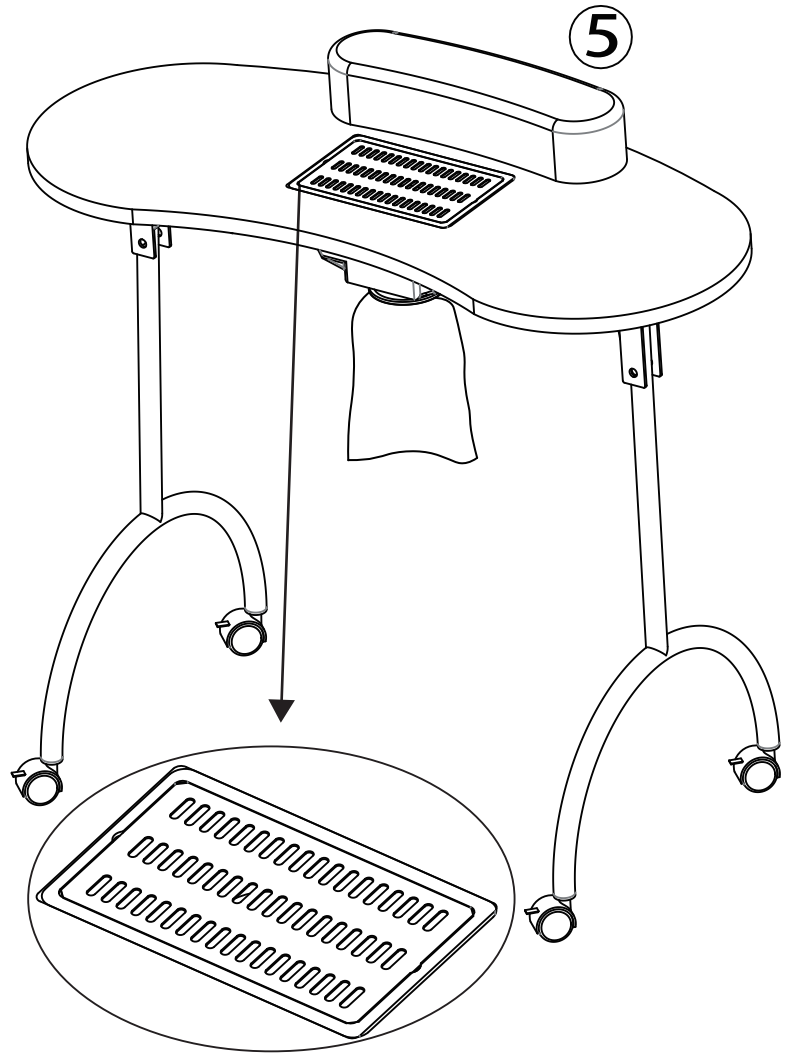
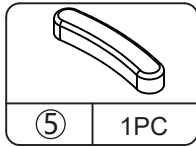


STEP 6

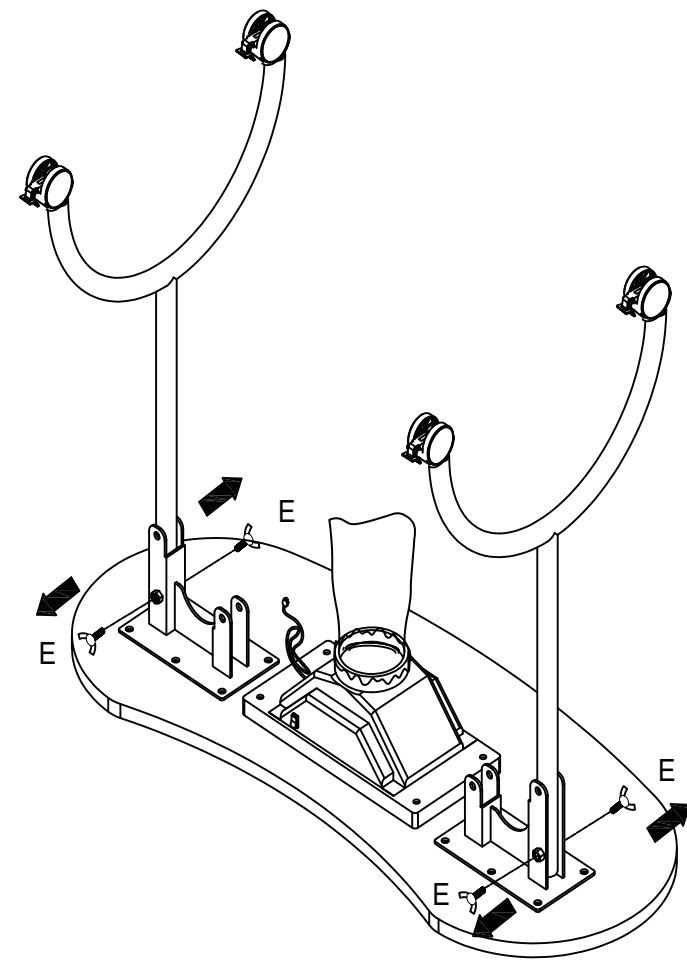
H 4PCS



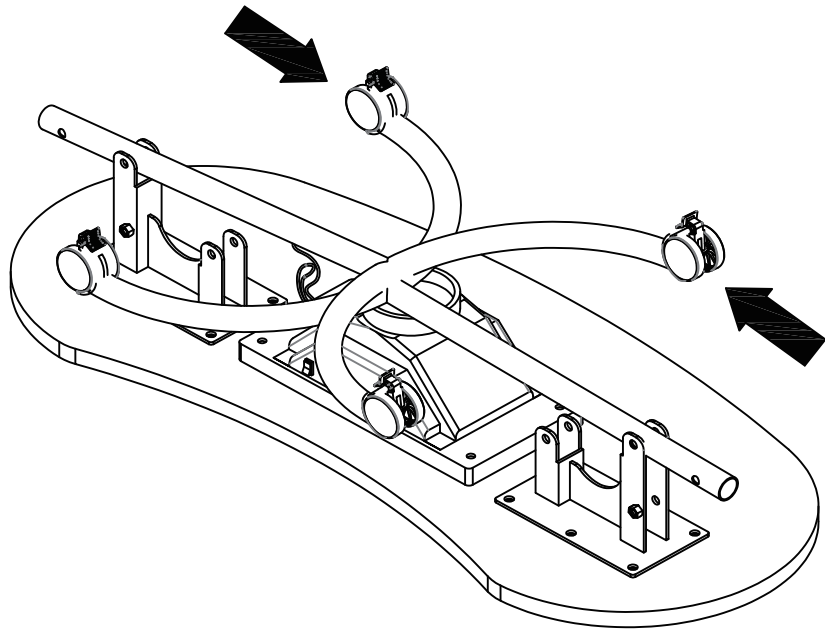
STEP 7



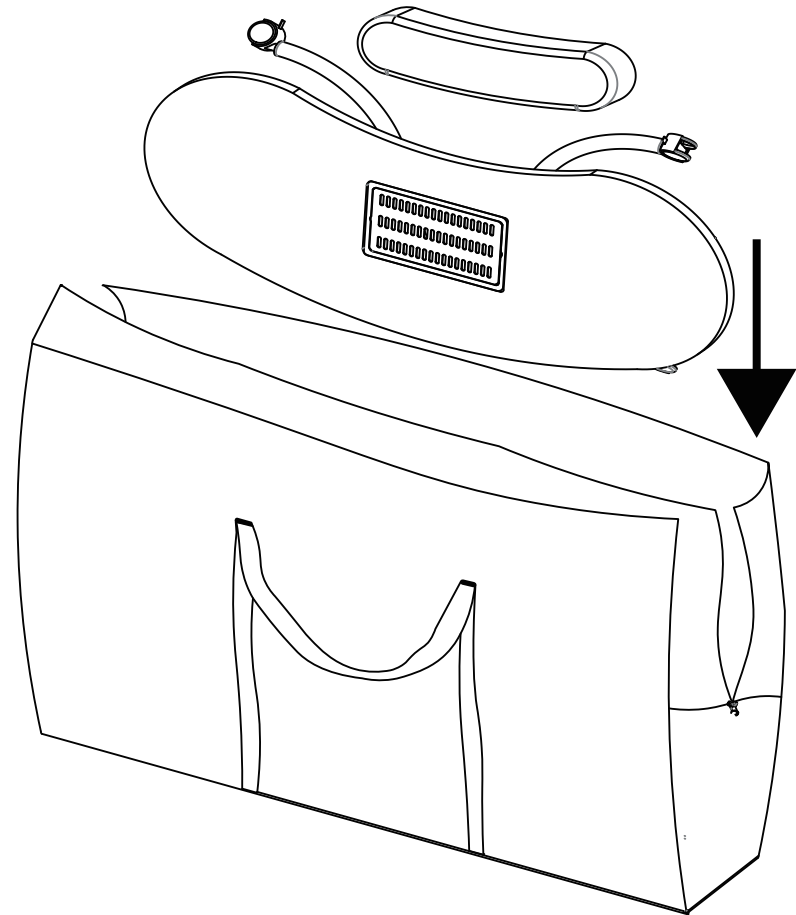
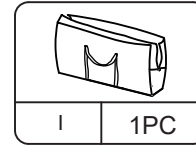
Please follow the steps below if you need to store the table.



First : Remove the screws E (Put the screws in place for next use)



Second : Fold the legs



Third : Put the table into the black bag (included)