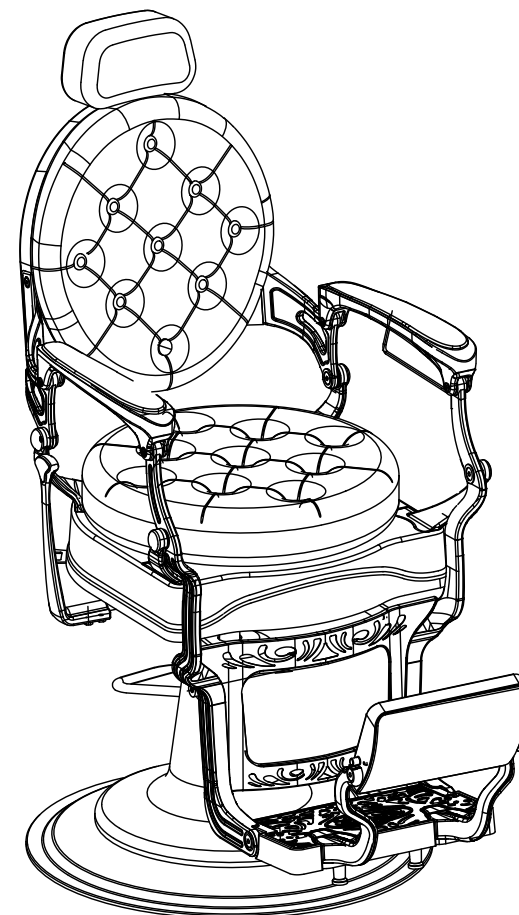


User Manual



Model Number : MR11L0260



Dear Customer,

Thank you for your purchase.

RESHABLE is created to be the perfect starting spot for any barbers. Supplying top-quality barber supplies like barber chairs, salon stations, rolling makeup cases, styling drawer cabinets, hair tool holders, and more, we help people to keep their barber store running with the best equipment at the most reliable prices.

When you receive the product, please make sure that all the parts are intact. Then please browse the entire installation manual before assembly. If problems occur unsatisfactorily as follows:

a. The outer box is damaged.

b. The product is damaged/bent/cracked while you open the box.

c. The parts/accessories/assembly tools are missing.

d. The product is hard to assemble.

e. The instructions are not clear and can not be referred to.

f. The product has functional problems.

g. Other aspects that you are not satisfied with.

Please do not hesitate to contact us for help (Be sure to mark the SKU NUMBER, e.g., MR11R0246, and the TRACKING NUMBER). Our RESHABLE team with factory direct after-sales service will reply within 24 hours and do our best to resolve the problem for you. Our service is available at any time.

Sincerely,
RESHABLE Team

RESHABLE
for Profession and Creativity!

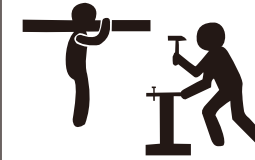
You need

① Tools required

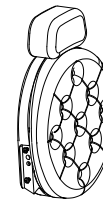


A wrench is required for the assembly.
(not included)

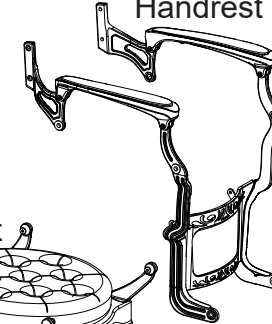
② 2 persons are needed



Backrest



Handrest



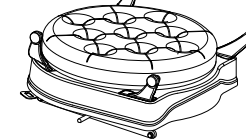
Towel Hook



Reclining Lever



Seat



Footrest

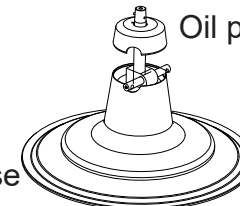


Leg Rest

Foot Bar



Oil pump cover

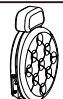



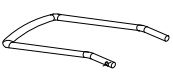

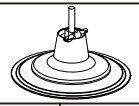
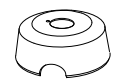









Base

Footrest Support



Hardware List

 Backrest 1PC	 Seat 1PC	 Reclining Lever 1PC	 Towel Hook 1PC
 Foot Bar 1PC	 Leg Rest 1PC	 Base 1PC	 Oil pump cover 1PC
 Footrest 1PC	 Footrest Support 3PCS	 Handrest 1PC	 M4 Hexagon Screwdriver 1PC
 M5 Hexagon Screwdriver 1PC	 M6 Hexagon Screwdriver 1PC	 M5 x 16 Bolt 1PC	

NOTICE:

If there are some missing parts in your package or you have problem assembling the product, please call us directly or send us a message. Our customer service team will address any questions or concerns you may have. This user manual is for your reference.

SAFETY:

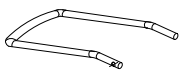
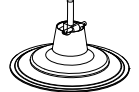
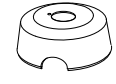

To reduce risk of injury when installing & using the chair, please follow these precautions:

- Read all of these instructions before installing and using your salon chair.
- It is helpful to have 2 people to install and turn the chair upright after installing .
- Do not over-extend the chair. Over-extending the chair will lead to the risk of falling off or tipping the chair, the number of people exceeds the maximum load will lead to injury.

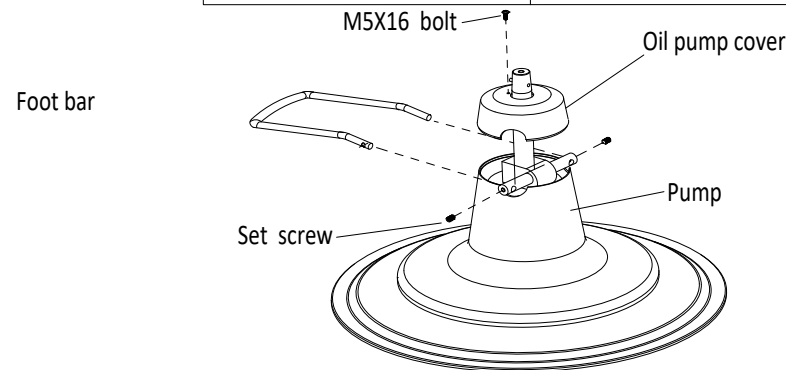
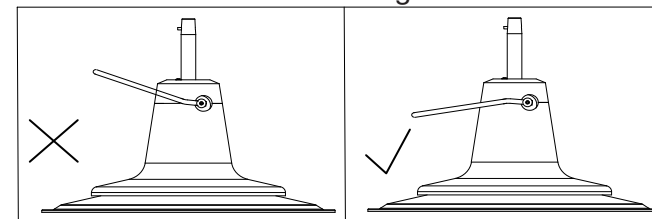
PRODUCT ASSEMBLY

⚠ Check the package contents before getting started !

STEP 1

 Foot bar 1PC	 Base 1PC	 Oil pump cover 1PC	 Bolt 1PC
---	---	---	---

Note: Please refer to the picture for the assembly direction of the foot lever. Do not install it in the wrong direction.

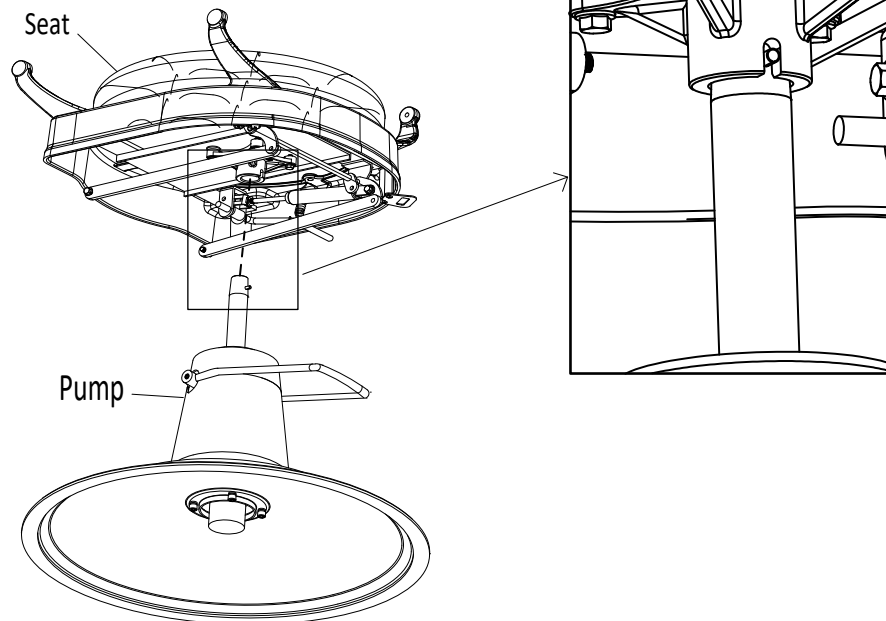
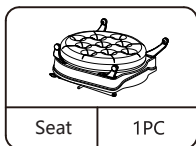


First: Install Foot Bar to the Pump

Step 1: Use Allen Wrench to loosen the screws in the crossbar. Insert Foot Bar into the holes of the crossbar (May require slightly squeezing ends of Foot Bar towards each other, and some operation to make the bar ends to get to desired place) with screws to fix it. Then place the oil pump cover and use M5 × 16 bolt to fix it.

PRODUCT ASSEMBLY

STEP 2

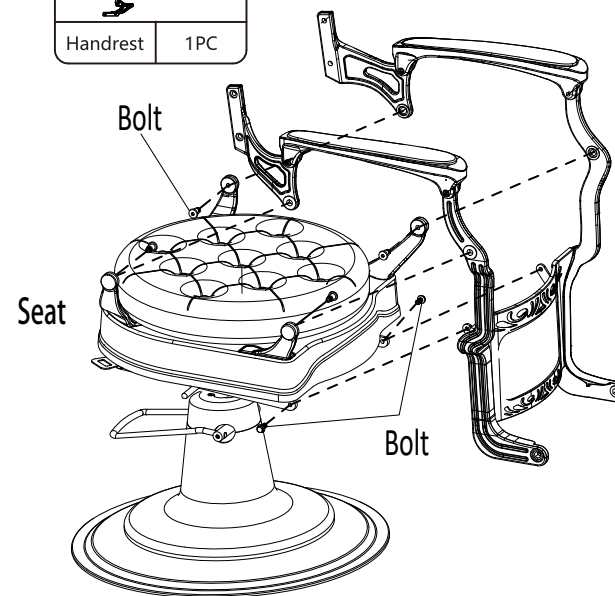
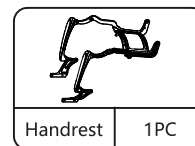


Second: Set the Seat onto the top of Pump

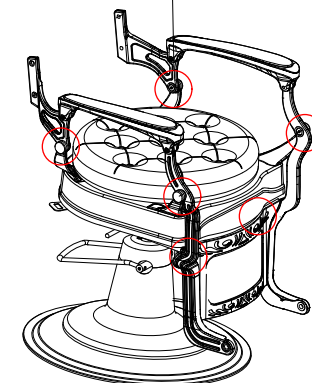
Step 1: Locate the slot in the short column under the Seat. Align this slot with the black pin at the top of pump and press seat down to set Seat onto the top of pump.

PRODUCT ASSEMBLY

STEP 3



The circles are places where the large bolts or small bolts are connected.

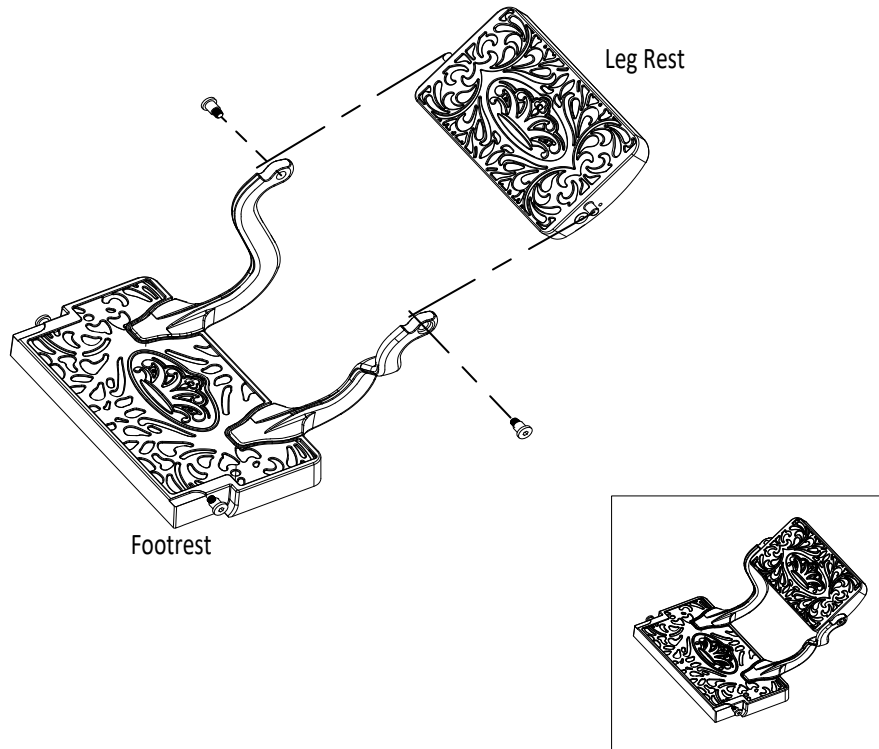
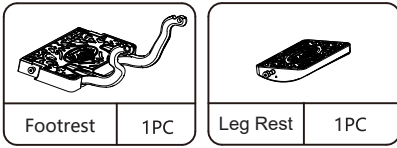


Third: Install Handrest to the Seat

Step 1: Remove the 4 big bolts and 2 small bolts which are pre-fixed on the seat.
 Step 2: Install the handrest to the seat with 4 big bolts and 2 small bolts which are removed from the seat.

PRODUCT ASSEMBLY

STEP 4

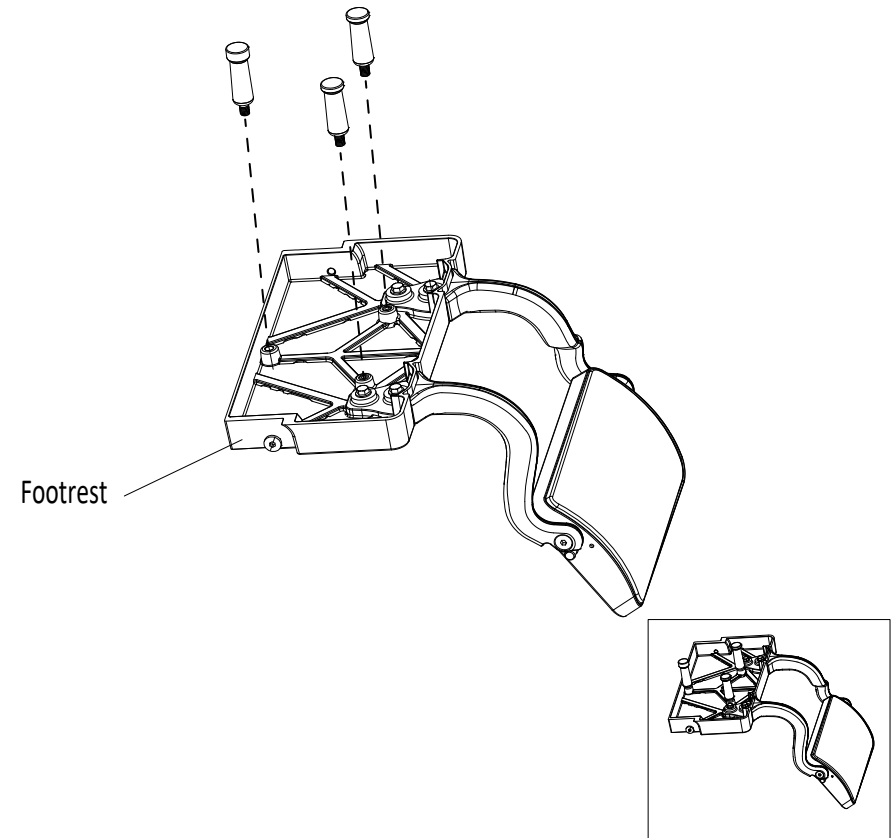
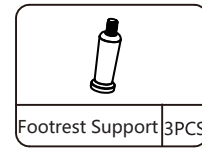


Fourth:Install Leg Rest to the Footrest

Step 1:Remove 2 big bolts which are pre-fixed on the leg rest,then install the leg rest to the footrest with the 2 big bolts,which are removed from the leg rest.

PRODUCT ASSEMBLY

STEP 5

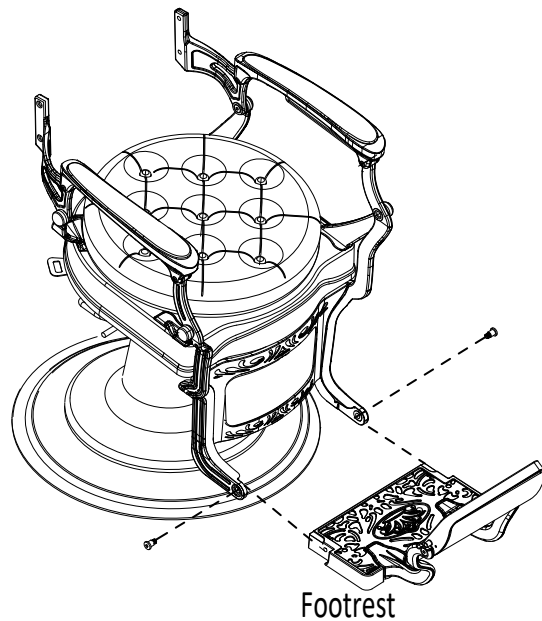


Fifth:Install Footrest support to the Footrest

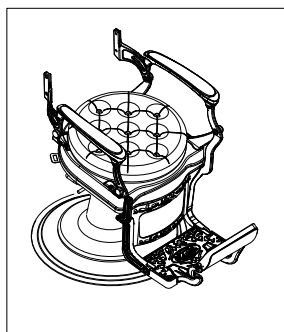
Step 1: Install 3 Footrest supports to the bottom of the footrest.

PRODUCT ASSEMBLY

STEP 6



Footrest

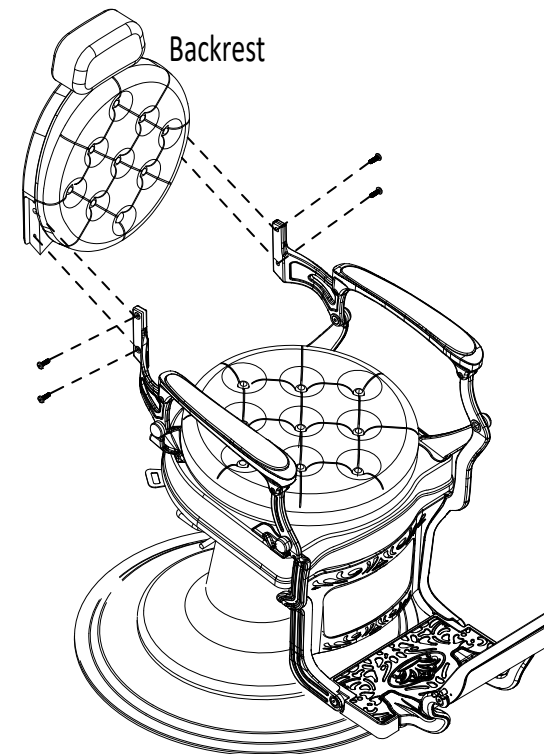
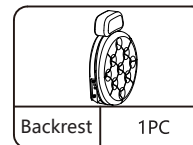


Sixth:Install Footrest to Chair

- Step 1:Remove 2 big bolts which are pre-fixed on the footrest.
- Step 2:Install footrest to the chair with the big bolts which are removed from the footrest.

PRODUCT ASSEMBLY

STEP 7



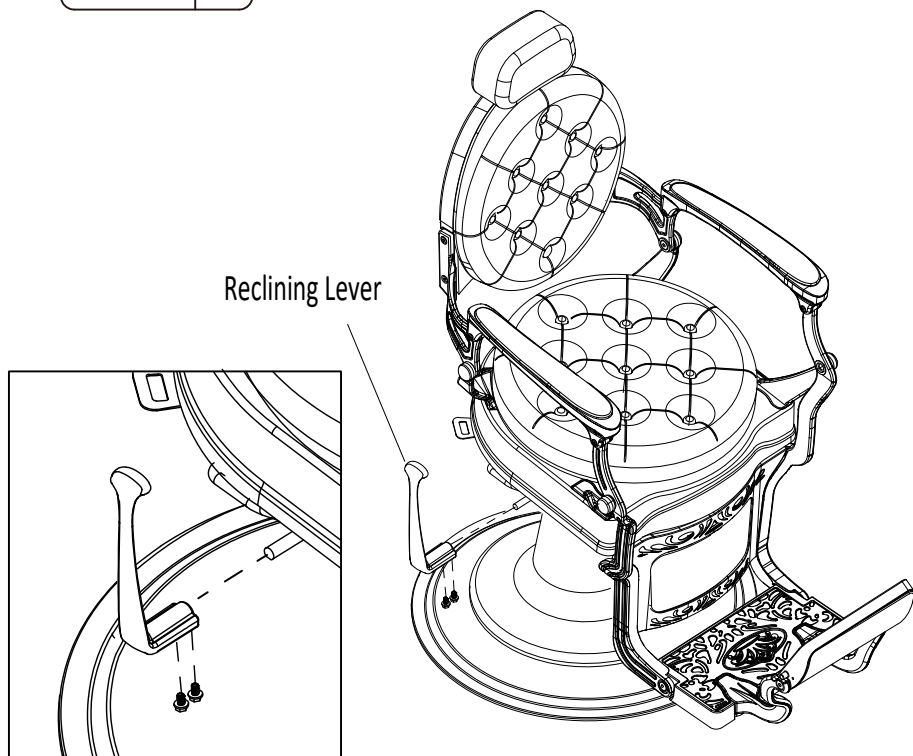
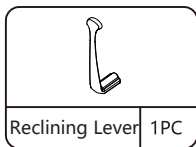
Backrest

Seventh:Install Backrest to Chair

- Step 1:Removed 4 bolts which are pre-fixed on the backrest.
- Step 2:Install backrest to the chair with the 4 bolts which are removed from the backrest.

PRODUCT ASSEMBLY

STEP 8

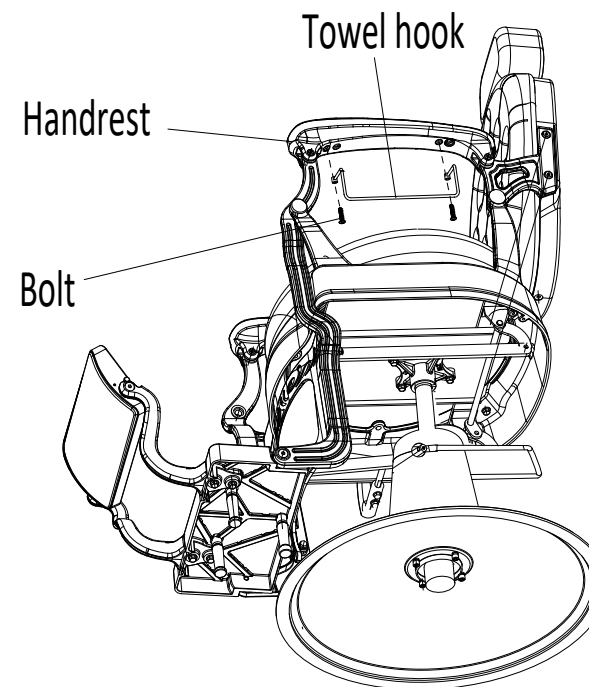
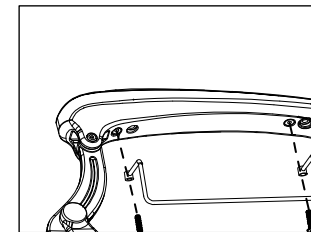
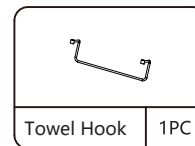


Eighth: Install Reclining Lever to Chair

- Step 1: Loosen the bolts which are pre-fixed at the bottom of Reclining Lever.
- Step 2: Set Reclining Lever onto the bent iron bar of the chair.
- Step 3: Tighten the bolts which are pre-fixed at the bottom of Reclining Lever.

PRODUCT ASSEMBLY

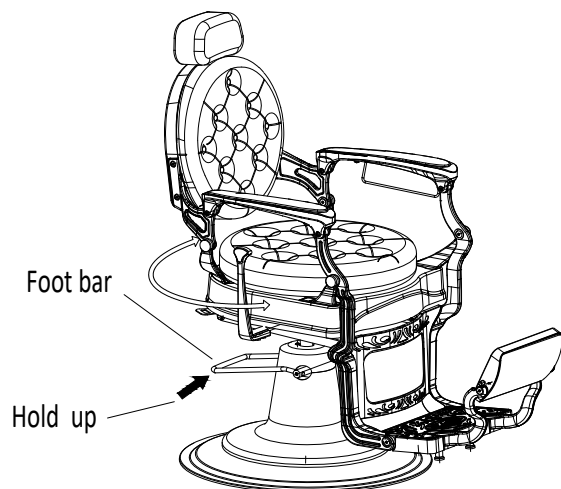
STEP 9



Ninth: Install Towel Hook to Handrest

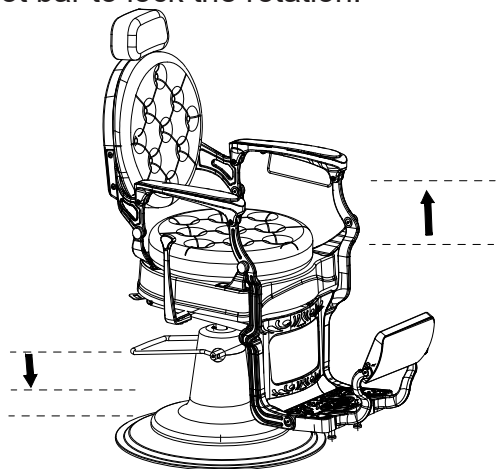
- Step 1: Removed 2 bolts which are pre-fixed on the handrest.
- Step 2: Install the towel hook to handrest with the 2 bolts which are removed from handrest.

PRODUCT ASSEMBLY



First: Lock & Unlock the rotation

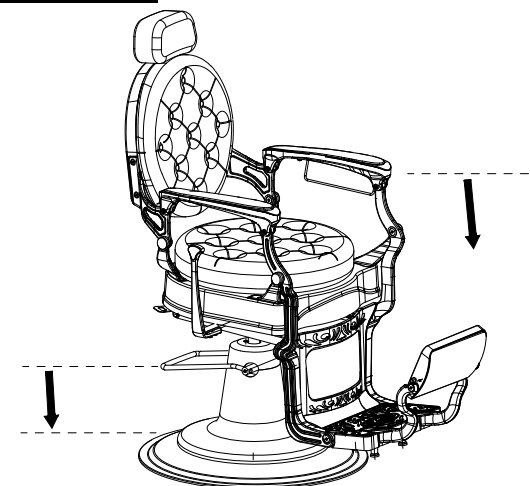
1. In the natural state, the upper part of the pump can rotate freely on the pump rotation axis.
2. Elevate the foot bar to lock the rotation.



Second: Raising the Chair

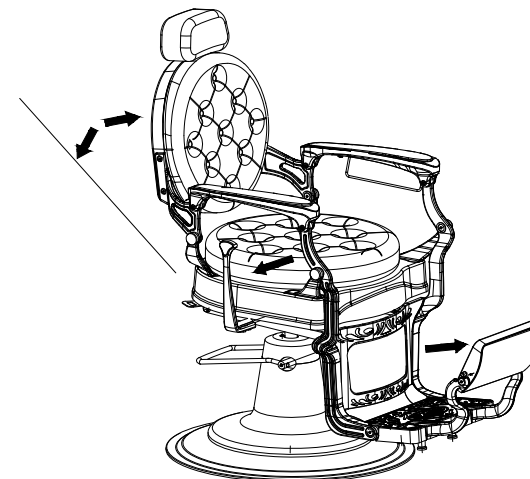
1. Step down the foot bar repeatedly to raise the chair to the desired height.
2. Do not over-extend the chair. Over-extending the chair will lead to the risk of falling off or tripping the chair, and the number of people exceeds the maximum load will lead to injury.

PRODUCT ASSEMBLY



Third: Lower the chair

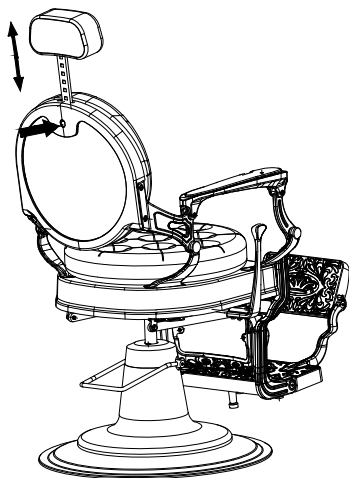
1. Step down on and hold the Foot Bar to lower the chair.



Fourth: Reclining the Backrest

1. Push the lever backwards (35°-40°) and push the backrest back. The backrest will tilt backwards; loosen the lever to get the tilt degree of the backrest; Turn the lever again backwards (35°-40°). The backrest can get back to the original position. Don't push the lever too hard. It'll be broken.

OPERATE THE CHAIR



Fifth:Recline the Headrest

1.You can adjust the height of the headrest by pressing the button on the backrest.

Daily Maintenance

<p>Q:How to maintain the backrest or seat daily?</p>	<p>A: The PVC leather should be cleaned regularly. Spray a little of the leather care solution onto a sponge and then use the sponge to wipe the leather surfaces gently.</p>
<p>Q: How to maintain the hydraulic pump?</p>	<p>A: Keep the surfaces of the hydraulic pump (including the centre shaft) clean. Sit on and raise/lower the chair periodically to expel the air inside. Regularly wipe the hydraulic pump with anti-rust oil.</p>

OPERATE THE CHAIR

Frequently Asked Questions

<p>Q: What if the chair is difficult to rotate?</p>	<p>A: Please check whether the foot lever is stepped to the lowest. If it's the lowest but still has the problem, there could be something wrong with the pump. You need to replace it.</p>
<p>Q: How to prevent the chair from leaning forward?</p>	<p>A: When you sit on the chair and lean all your weight forward deliberately, the chair will indeed tilt. So please notice this point: if both your feet are on the footrest, please sit back as far as you can; meanwhile, please ask the barber or someone else to step the foot lever and set the chair to the lowest when the guest sitting on the chair is ready to stand up. (Note: please remind guests not to stand on the footrest with both feet, please put one foot on the ground first.)</p>
<p>Q: If the chair keeps tilting and cannot be righted, what should I do?</p>	<p>A: In this case, there may be something wrong with the installation. Please check whether the mounting direction of the seat chassis connector is wrong. The direction of the slot in the seat chassis connector should be opposite to that of the footrest (refer to the detail drawing in STEP6). When it is confirmed, please make sure whether the hydraulic pump is properly inserted into the pump pin.</p>
<p>Q: What should I do when the seat cannot be lifted or lowered normally?</p>	<p>A: In this case, there may be air in the pump. Please sit on the chair and raise it to the highest, then lower it. Repeat the above action until it can be used normally.</p>

Dear Customer, if you have any advice or questions on the installation or product after receiving, please give us feedback as soon as possible. We will provide you with professional guidance. Please feel free to use it.