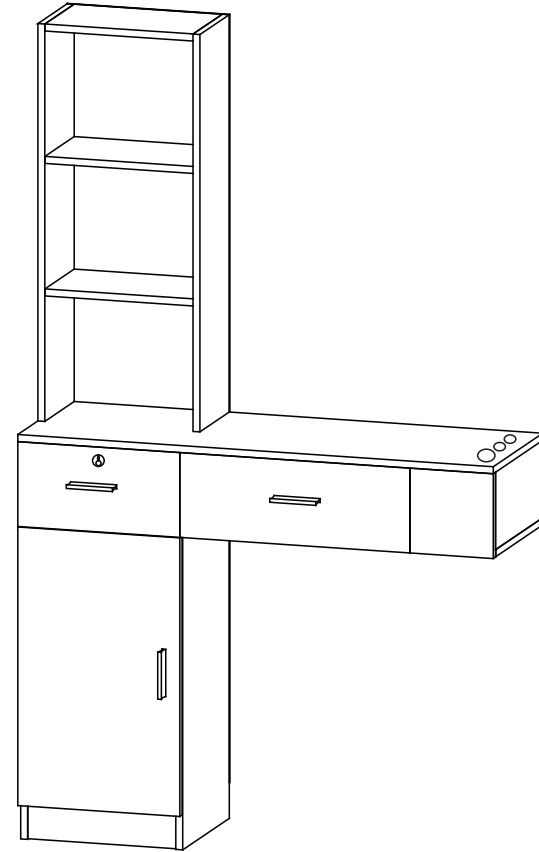


# User Manual

sandinrayli

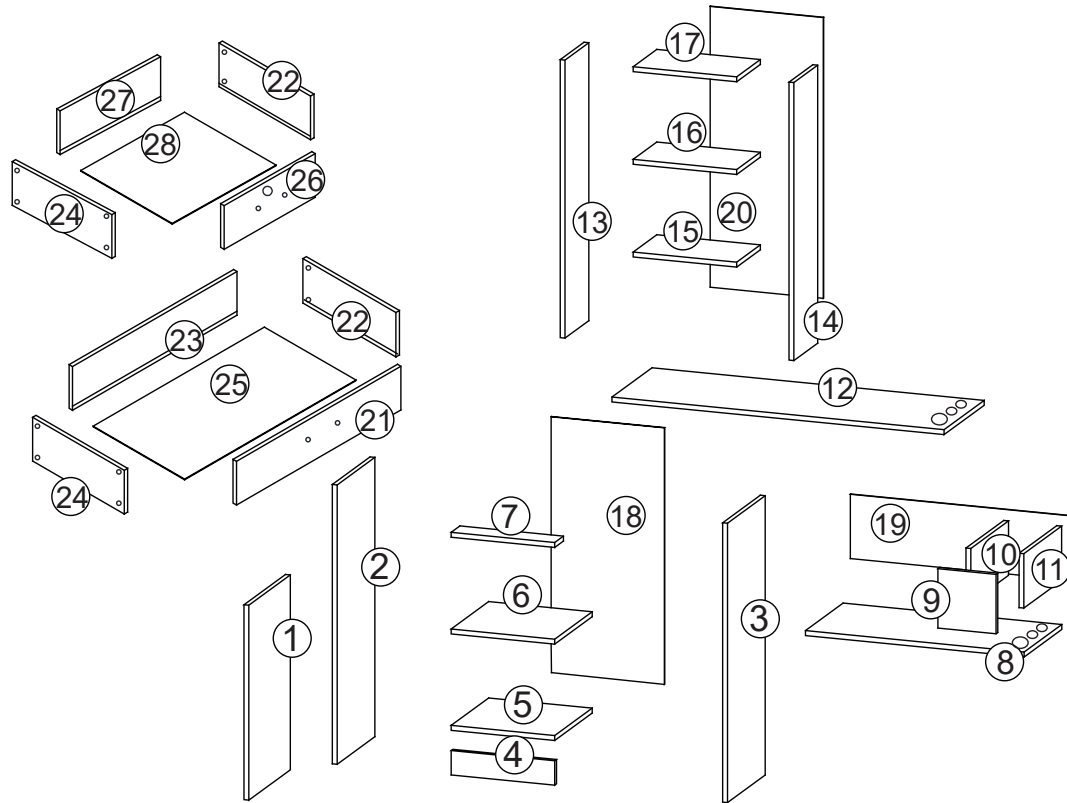


Model Number: MR11P0209

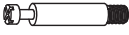


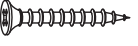
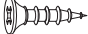

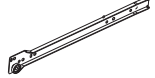
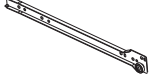

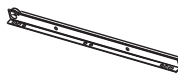

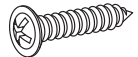

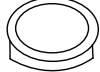


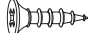
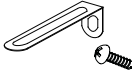
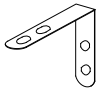
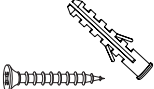
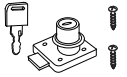

sandinrayli

## You need

① 2 persons are needed



## Hardware List

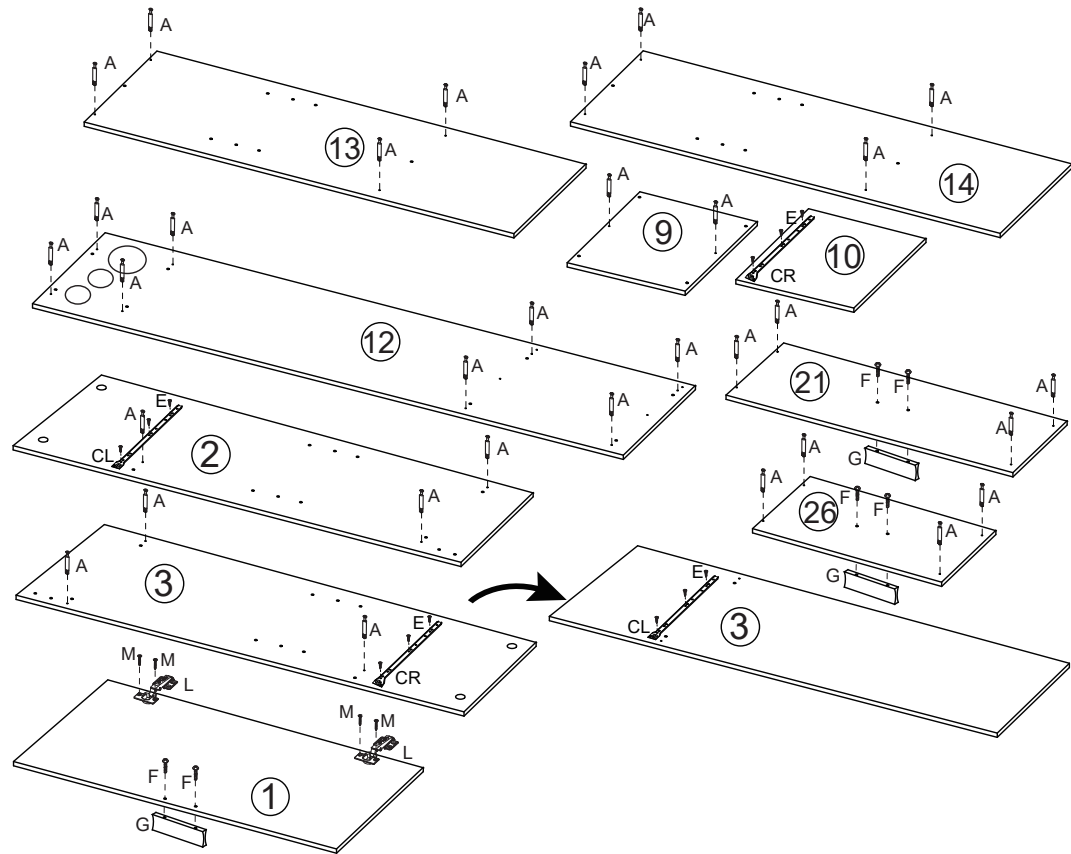
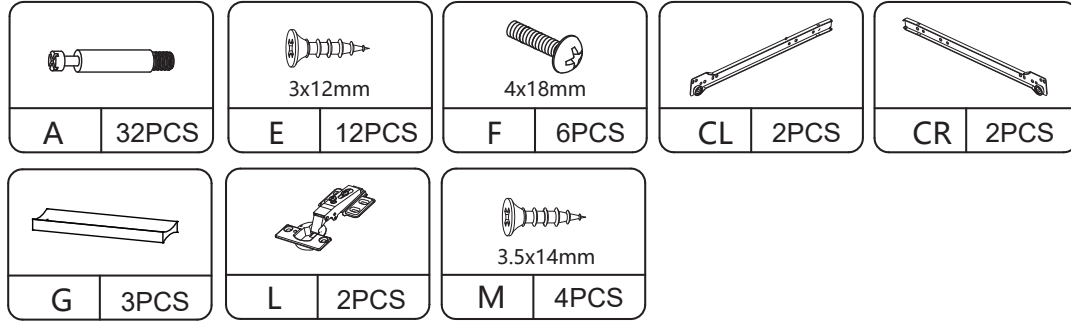
			 4x35mm
A   32PCS	B   32PCS	C   32PCS	D   18PCS
 3x12mm	 4x18mm		
E   24PCS	F   6PCS	CL   2PCS	CR   2PCS
			 2.5x10mm
DL   2PCS	DR   2PCS	G   3PCS	H   36PCS
			
I   8PCS	J   1PC	K   2PCS	L   2PCS
 3.5x14mm			
M   16PCS	N   1PC	O   2PCS	P   5PCS
			
Q   1PC	R   2PCS		

PRODUCTASSEMBLY

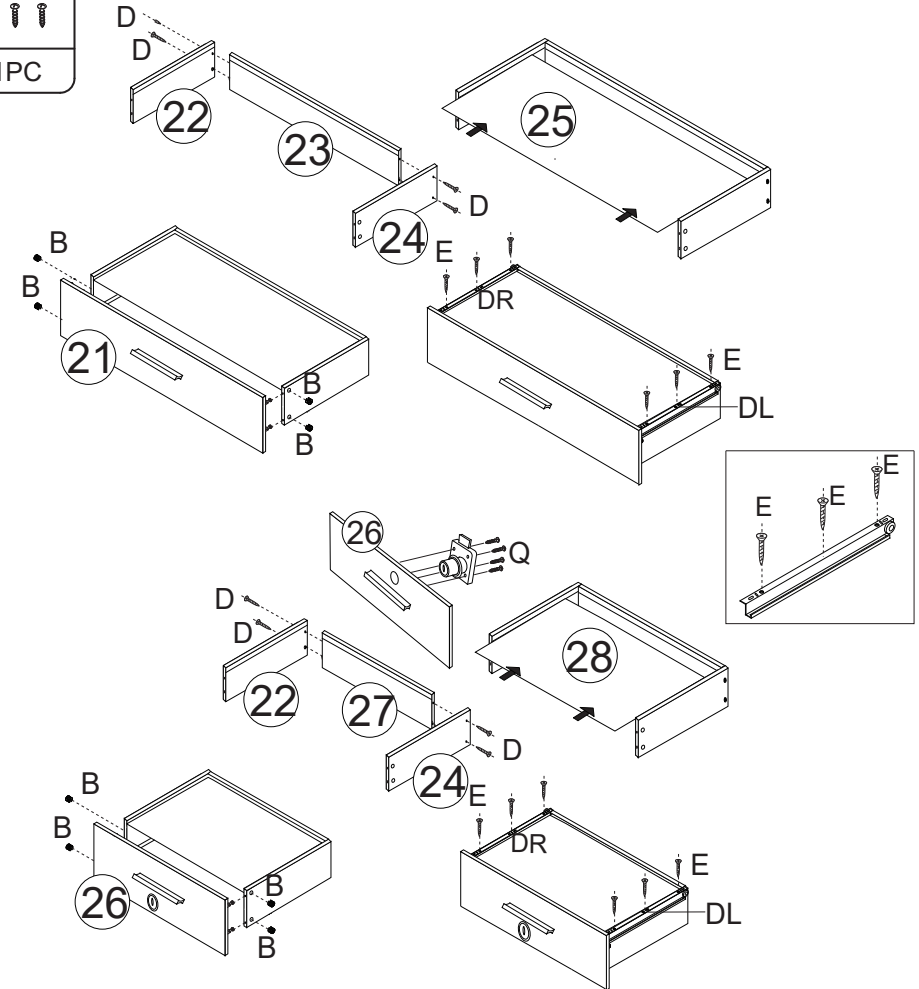
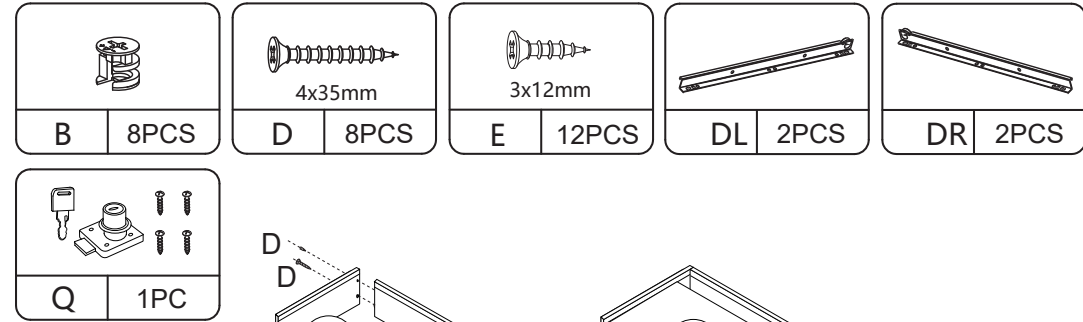
PRODUCTASSEMBLY

**!** Check the package contents before getting started !

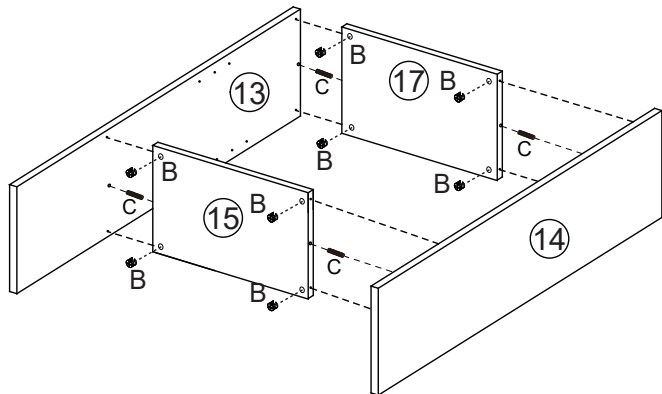
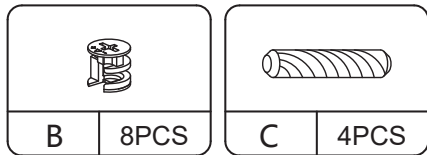
**STEP 1**



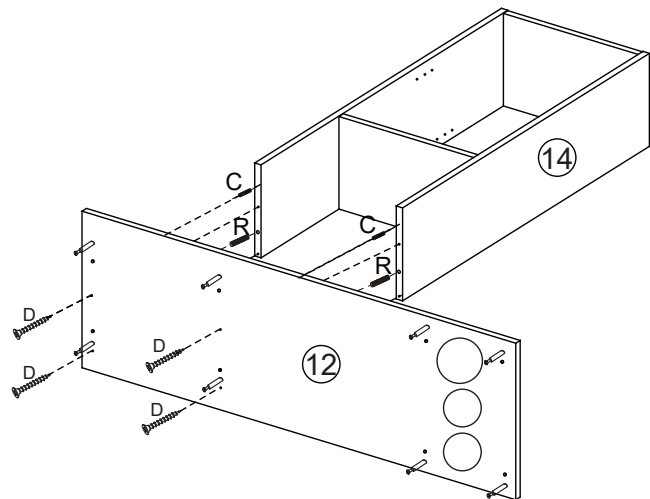
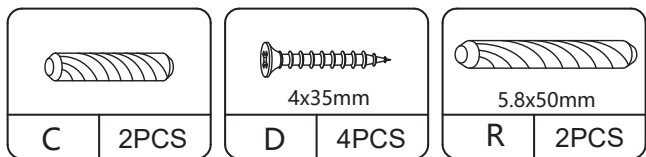
**STEP 2**



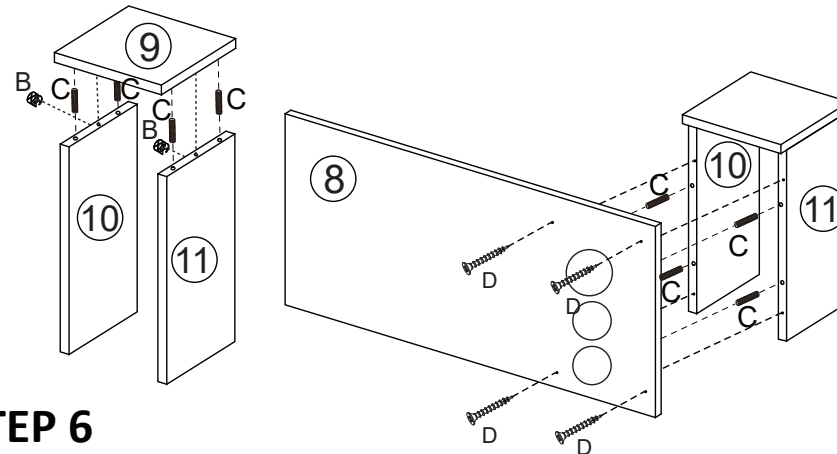
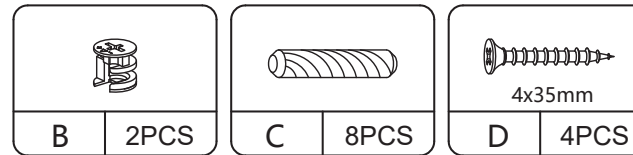
**STEP 3**



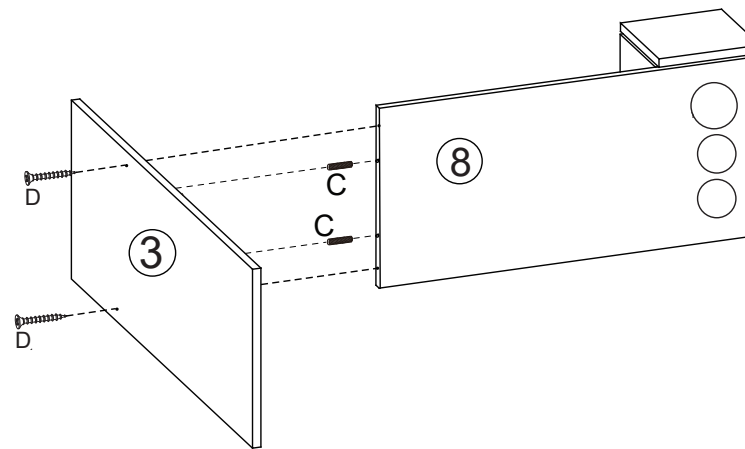
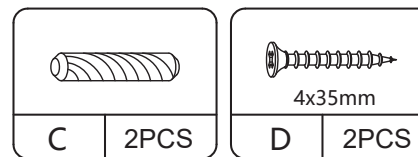
**STEP 4**



**STEP 5**

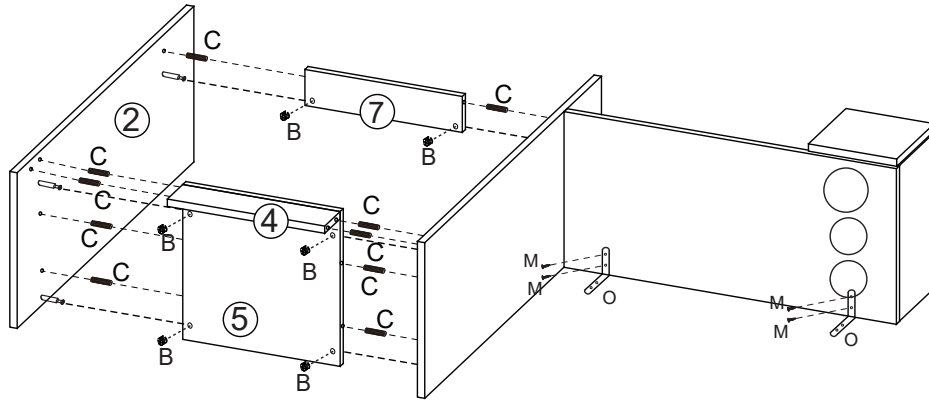
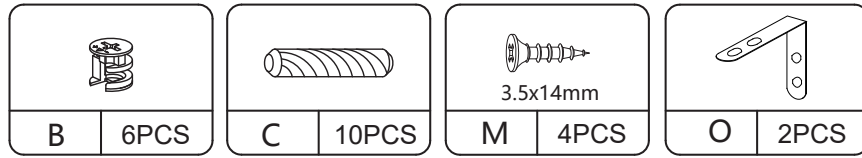


**STEP 6**

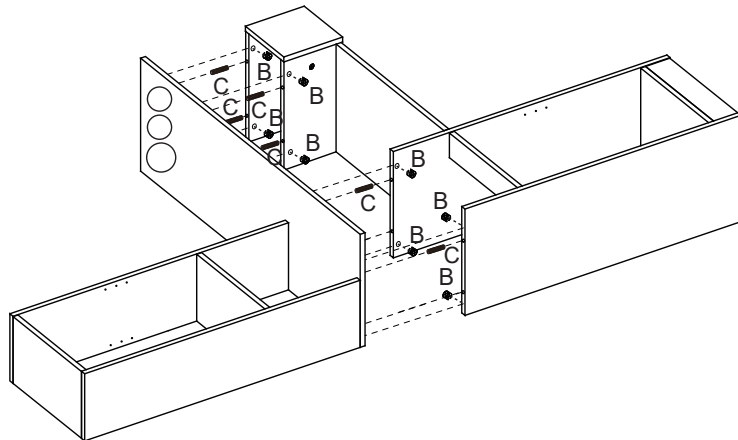
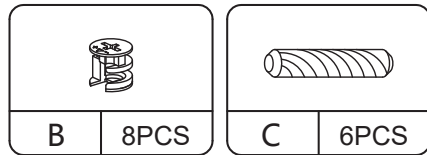


PRODUCTASSEMBLY

STEP 7

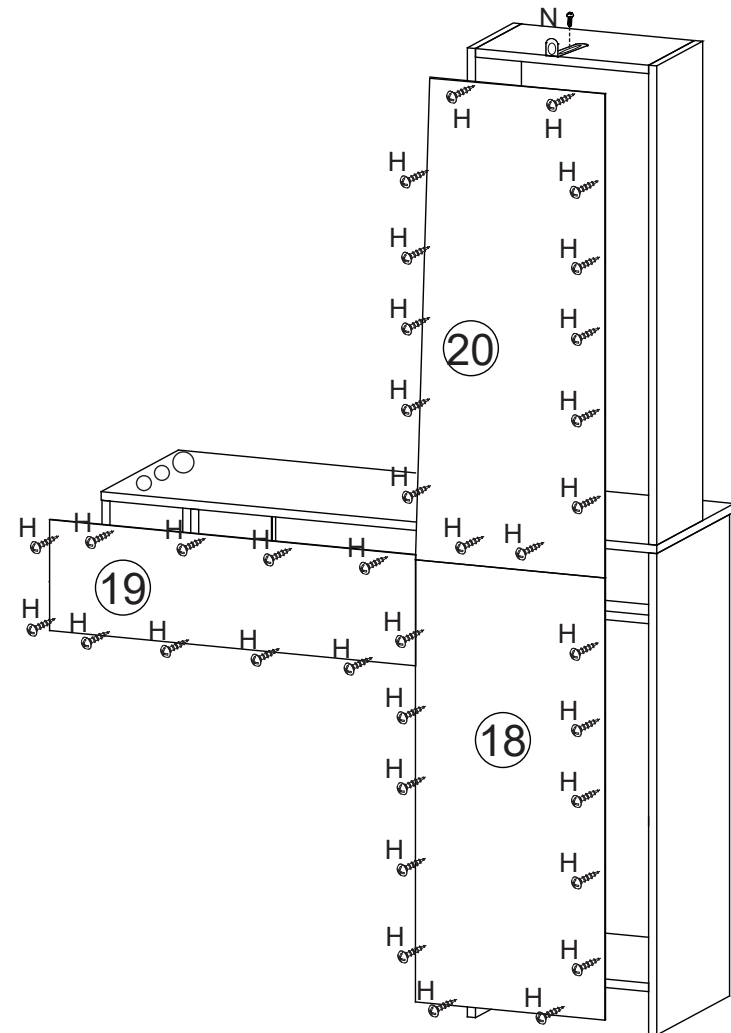
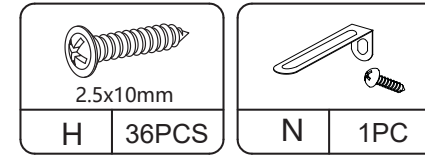


STEP 8



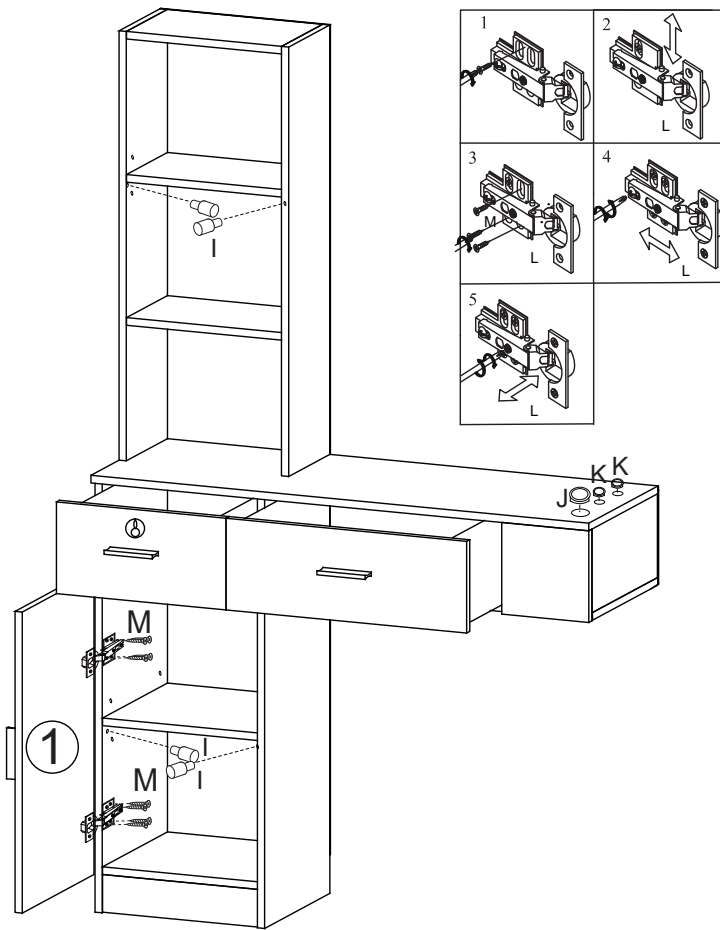
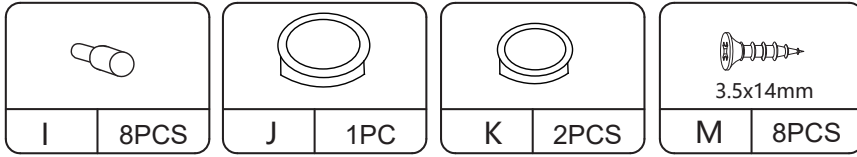
PRODUCTASSEMBLY

STEP 9



PRODUCTASSEMBLY

STEP 10



PRODUCTASSEMBLY

STEP 11

