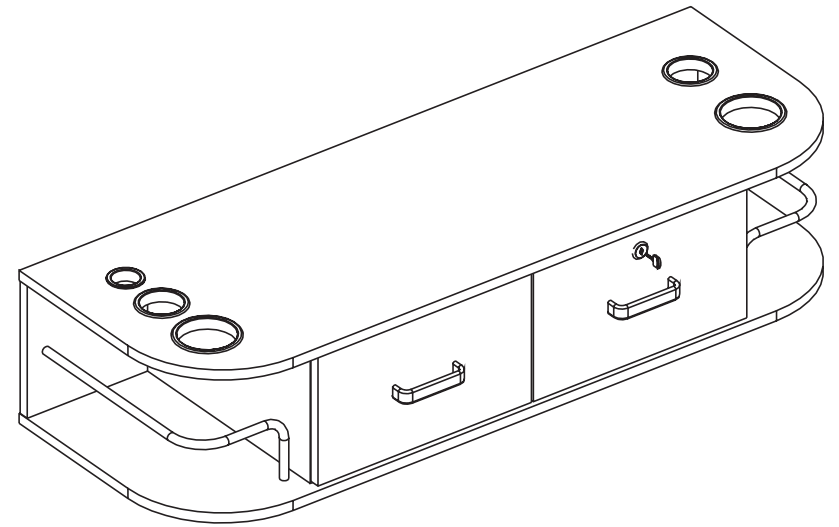


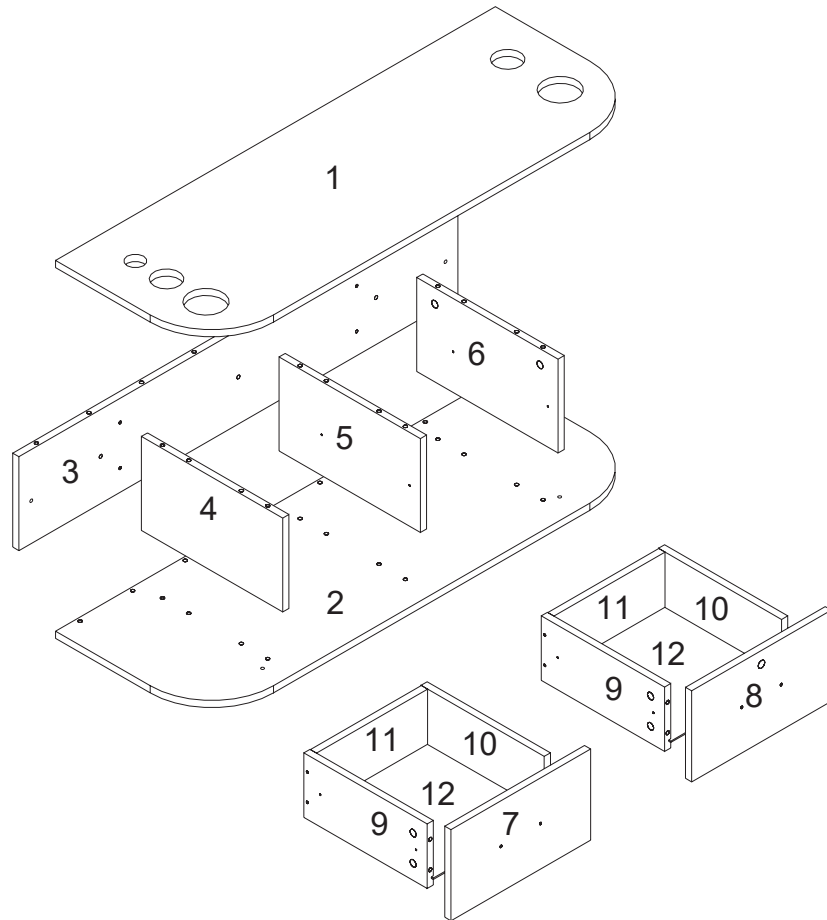
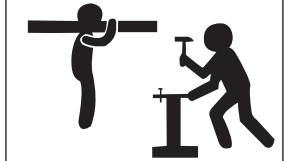
User Manual

sandinrayli



You need

① 2 persons are needed



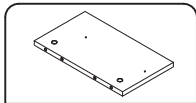
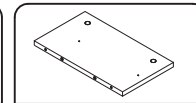
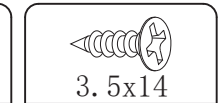
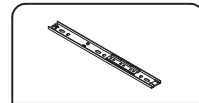
Hardware List

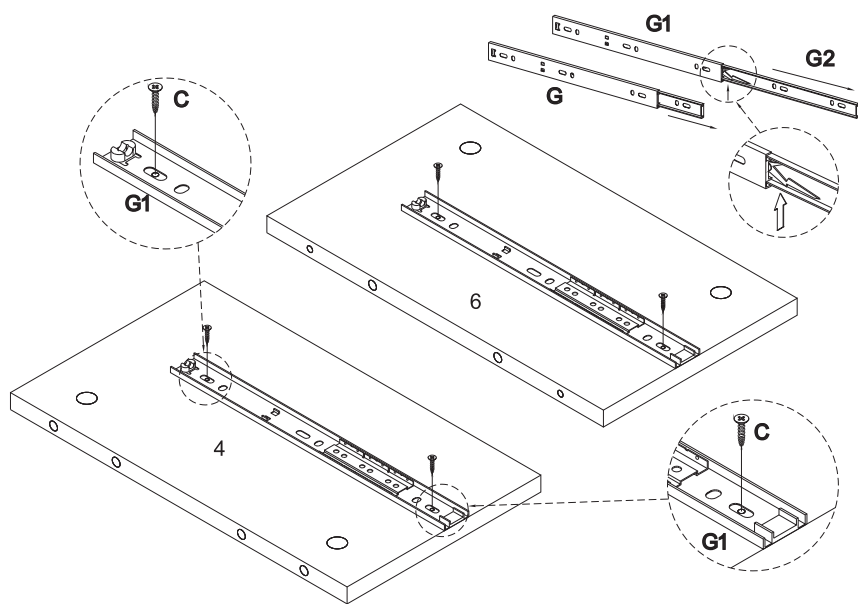
1 1PC	2 1PC	3 1PC	4 1PC
5 1PC	6 1PC	7 1PC	8 1PC
9 2PCS	10 2PCS	11 2PCS	12 2PCS
A1 18PCS	A2 18PCS	B 20PCS	C 16PCS
D 8PCS	E 13PCS	F1 2PCS	F2 4PCS
G1 4PCS	G2 4PCS	H 26PCS	J1 1PC
J2 1PC	J3 4PCS	K 1PC	L 4PCS
M1 4PCS	M2 4PCS	N 5PCS	

PRODUCT ASSEMBLY

! Check the package contents before getting started !

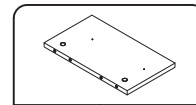
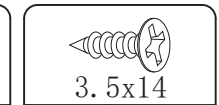
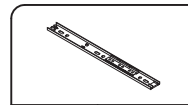
STEP 1

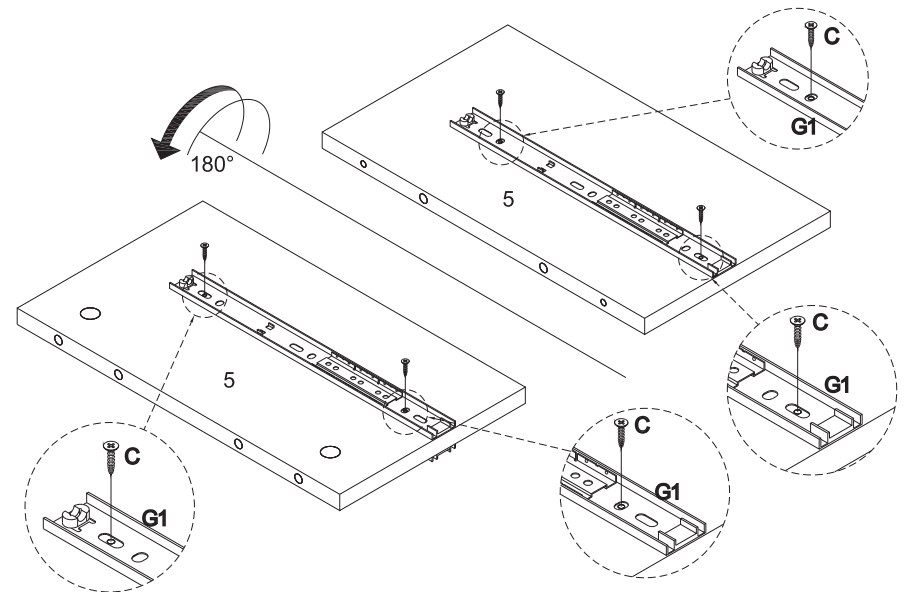
			
4 1PC	6 1PC	C 4PCS	G1 2PCS



PRODUCT ASSEMBLY

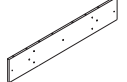

STEP 2

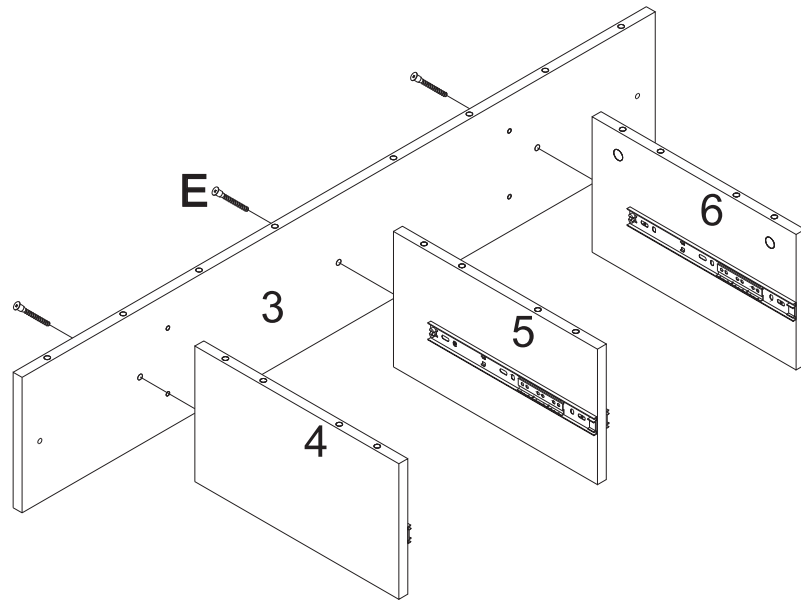
		
5 1PC	C 4PCS	G1 2PCS



PRODUCT ASSEMBLY

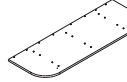
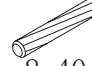

STEP 3

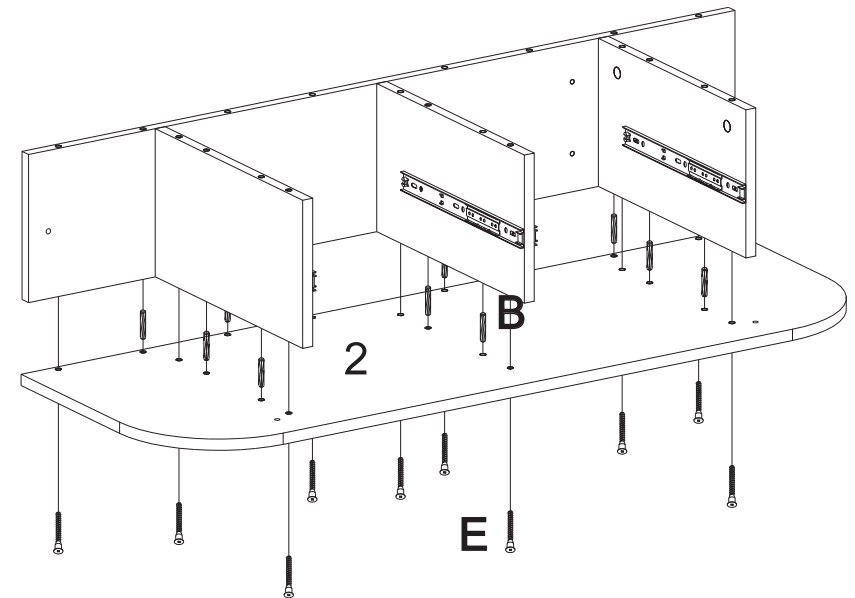
	
3	7x50
1PC	E 3PCS



PRODUCT ASSEMBLY

STEP 4

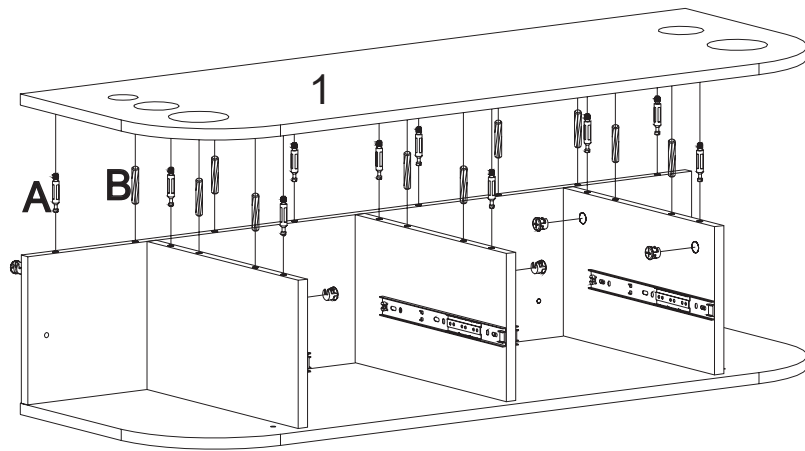
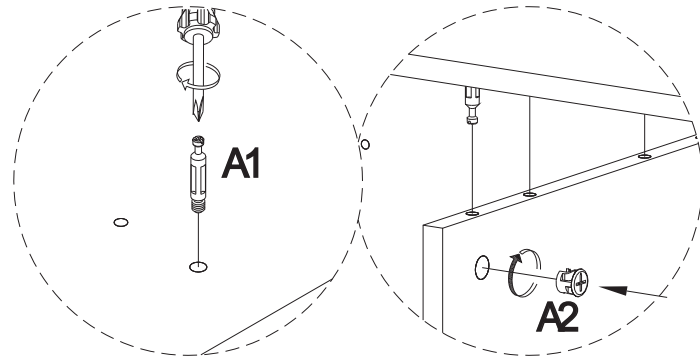
		
2	8x40	7x50
1PC	B 10PCS	E 10PCS



PRODUCT ASSEMBLY

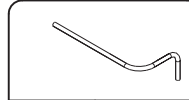
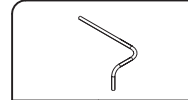
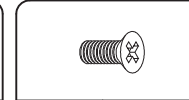
STEP 5

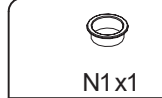
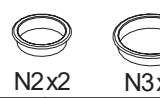
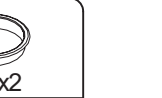
			
1	1PC	A1	10PCS
		A2	10PCS
		B	10PCS

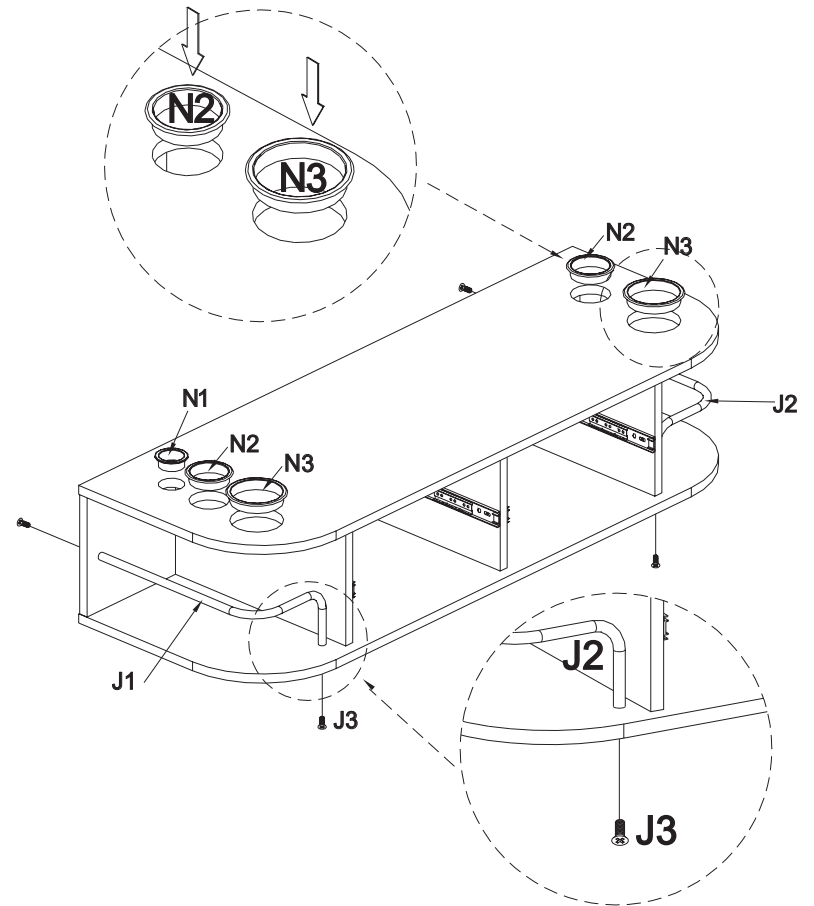


PRODUCT ASSEMBLY

STEP 6

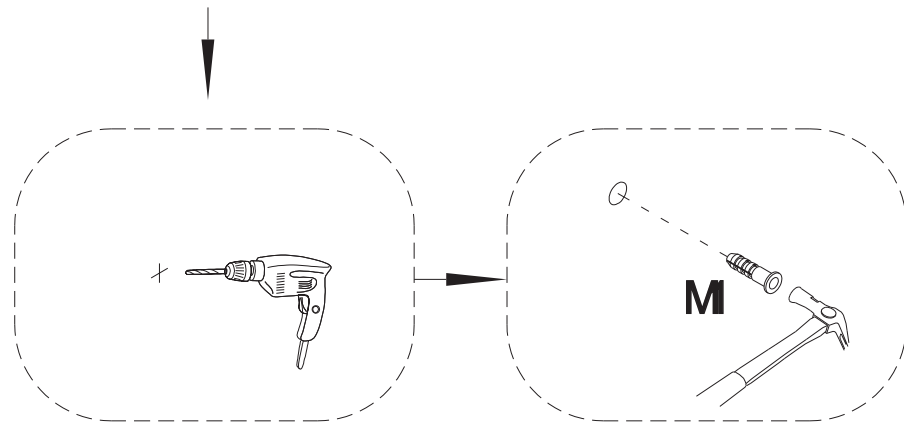
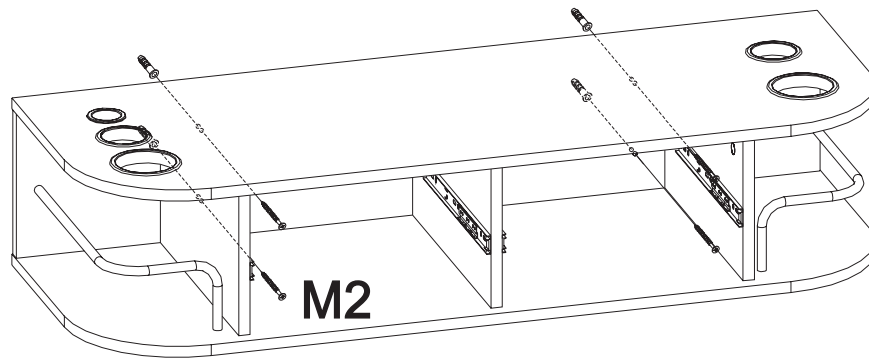
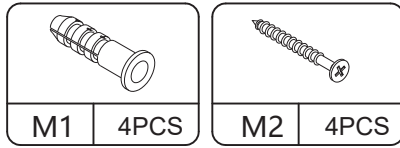
		
J1	1PC	J3
		4PCS

		
N1x1	N2x2	N3x2
N	5PCS	



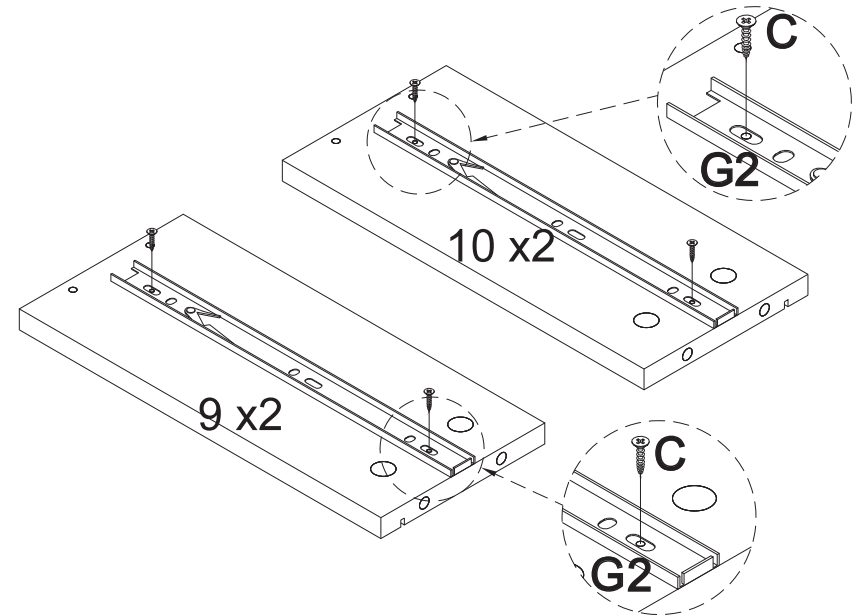
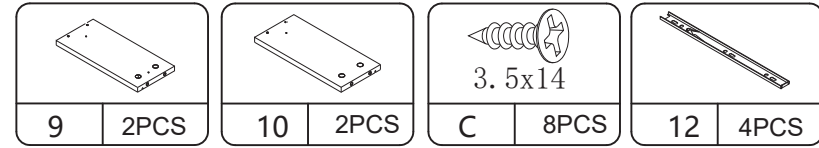
PRODUCT ASSEMBLY

STEP 7



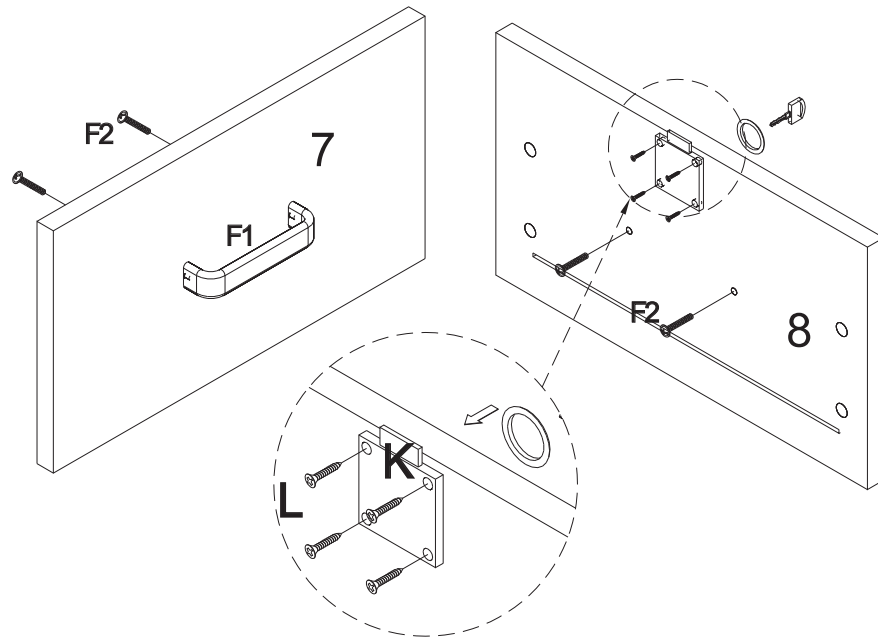
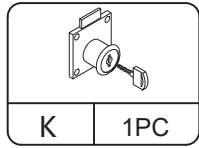
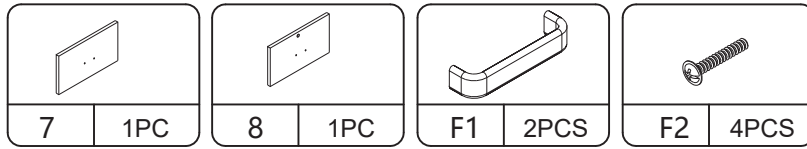
PRODUCT ASSEMBLY

STEP 8



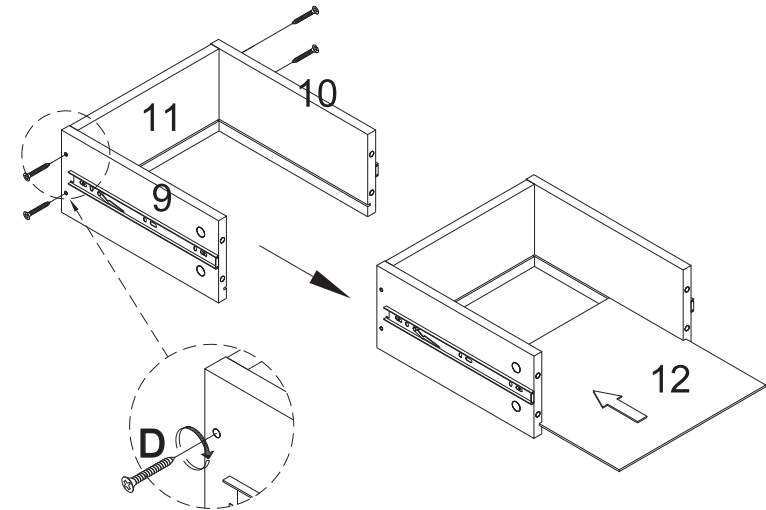
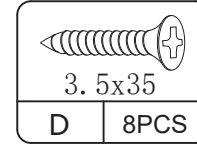
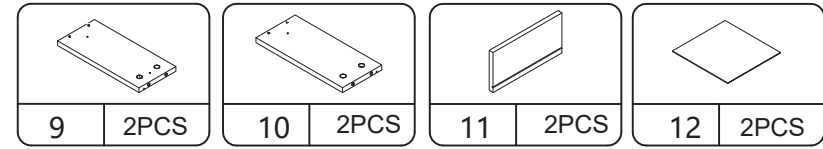
PRODUCT ASSEMBLY

STEP 9



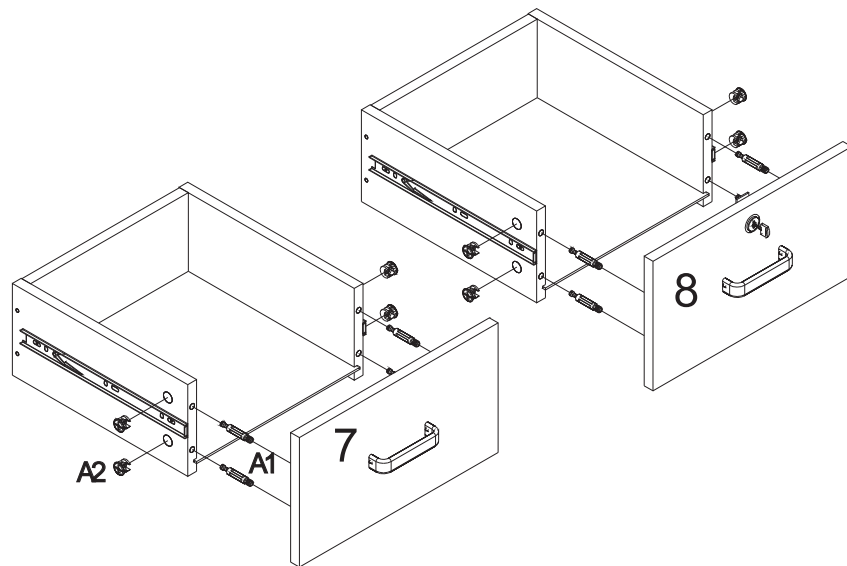
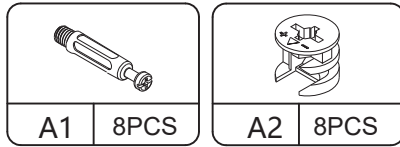
PRODUCT ASSEMBLY

STEP 10



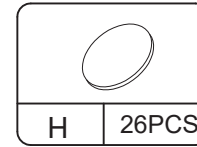
PRODUCT ASSEMBLY

STEP 11



PRODUCT ASSEMBLY

STEP 12



In order to make the product more beautiful, please paste hardware H on the exposed holes

