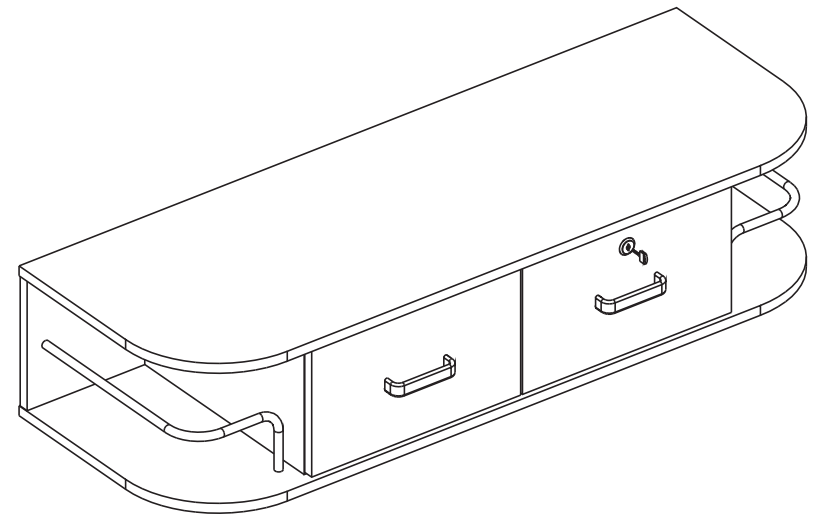


User Manual



Model Number: MR11W0178
MR11U0177
MR11P0173



Dear Customer,

Thank you for your purchase.

RESHABLE is created to be the perfect starting spot for any barbers. Supplying top-quality barber supplies like barber chairs, salon stations, rolling makeup cases, styling drawer cabinets, hair tool holders, and more, we help people to keep their barber store running with the best equipment at the most reliable prices.

When you receive the product, please make sure that all the parts are intact. Then please browse the entire installation manual before assembly. If problems occur unsatisfactorily as follows:

a. The outer box is damaged.

b. The product is damaged/bent/cracked while you open the box.

c. The parts/accessories/assembly tools are missing.

d. The product is hard to assemble.

e. The instructions are not clear and can not be referred to.

f. The product has functional problems.

g. Other aspects that you are not satisfied with.

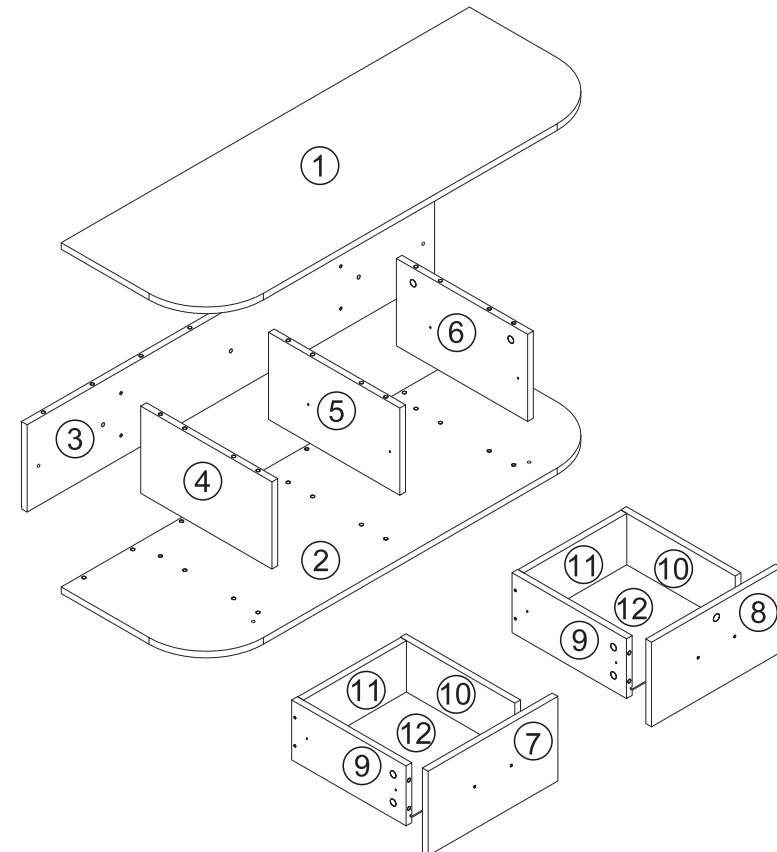
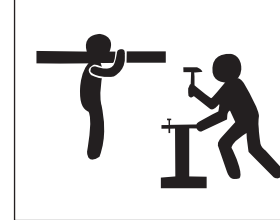
Please do not hesitate to contact us for help (Be sure to mark the SKU NUMBER, e.g., MR11R0246, and the TRACKING NUMBER). Our RESHABLE team with factory direct after-sales service will reply within 24 hours and do our best to resolve the problem for you. Our service is available at any time.

Sincerely,
RESHABLE Team

RESHABLE
for Profession and Creativity!

You need

① 2 persons are needed



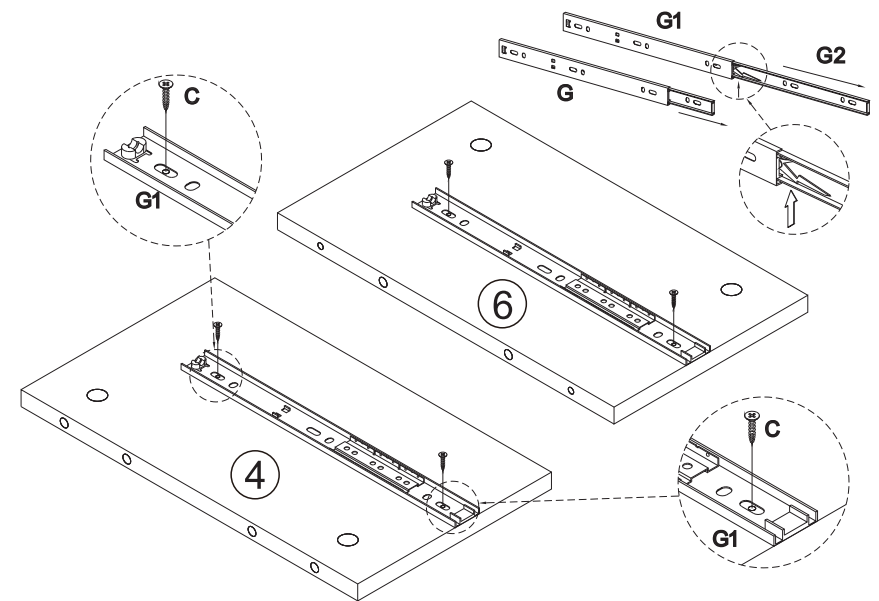
Hardware List

① 1PC	② 1PC	③ 1PC	④ 1PC
⑤ 1PC	⑥ 1PC	⑦ 1PC	⑧ 1PC
⑨ 2PCS	⑩ 2PCS	⑪ 2PCS	⑫ 2PCS
A1 18PCS	A2 18PCS	B 20PCS Ø6x30mm	C 16PCS M3x12mm
D 8PCS M4x35mm	E 13PCS M4x40mm	F1 2PCS	F2 4PCS M4x20mm
G1 4PCS	G2 4PCS	J1 1PC	J2 1PC
J3 4PCS M6x20mm	K 1PC	L 4PCS M3x18mm	M1 4PCS M5x55mm
M2 4PCS M5x60mm			

Check the package contents before getting started !

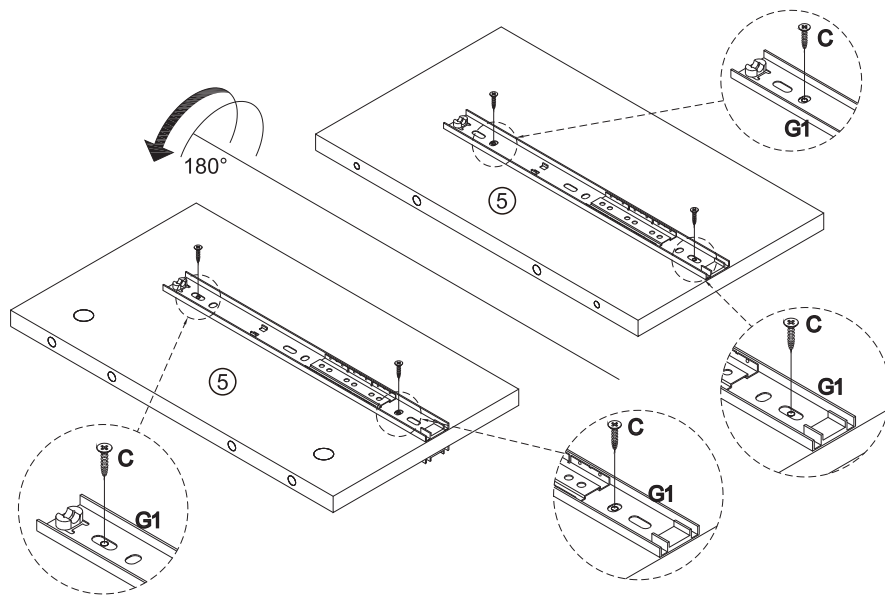
STEP 1

④ 1PC	⑥ 1PC	C 4PCS	G1 2PCS



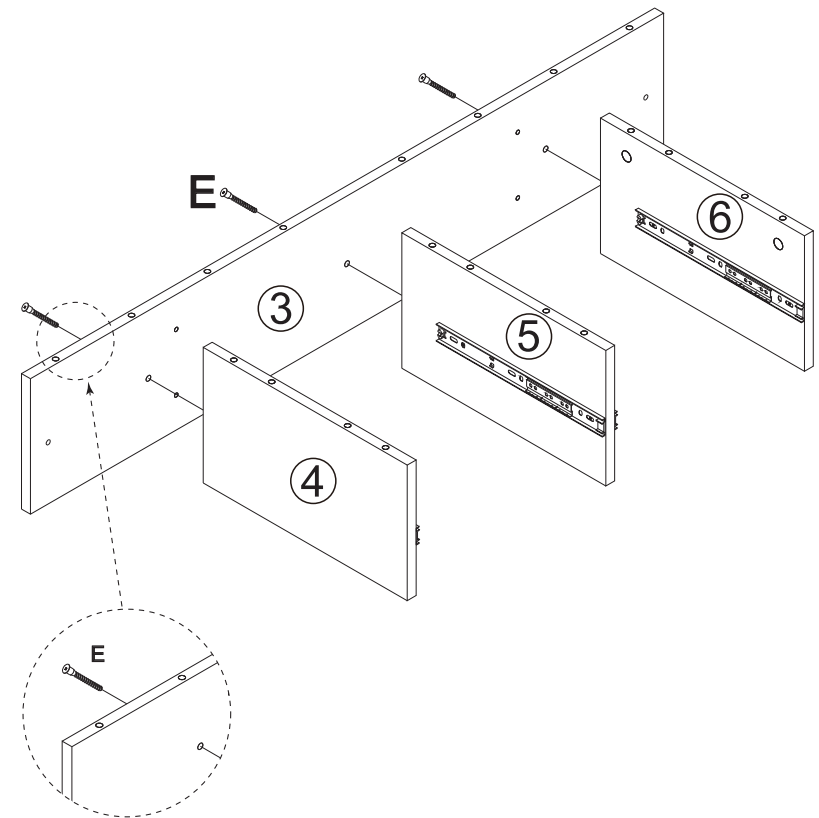
STEP 2

⑤	1PC	C	4PCS	G1	2PCS

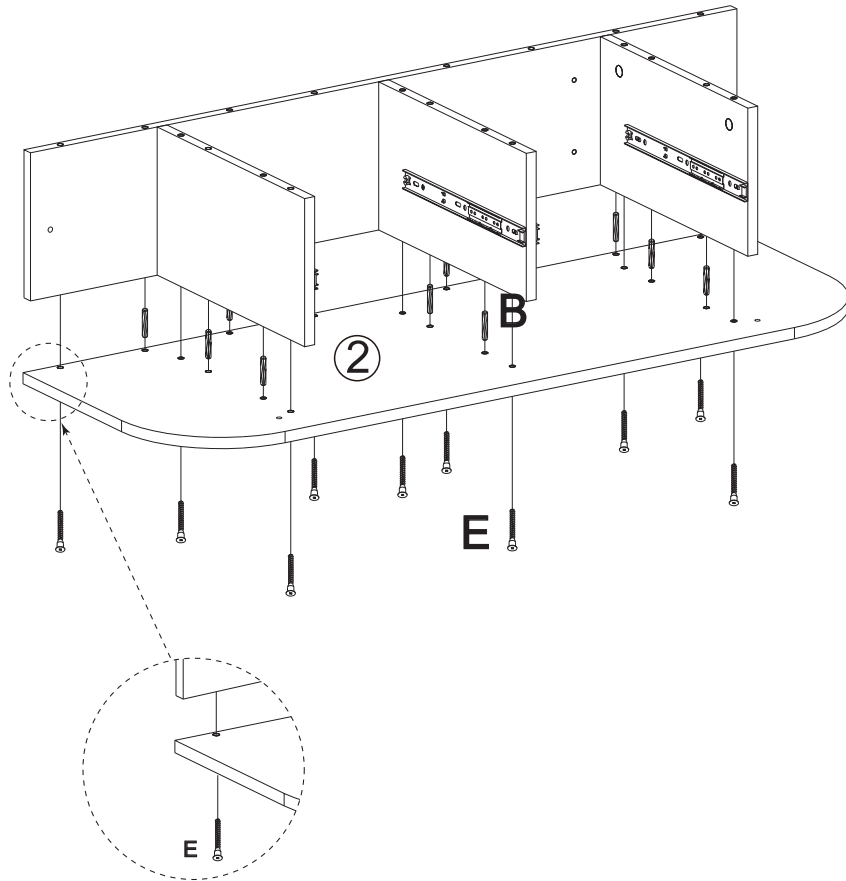
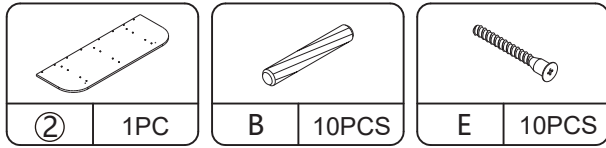


STEP 3

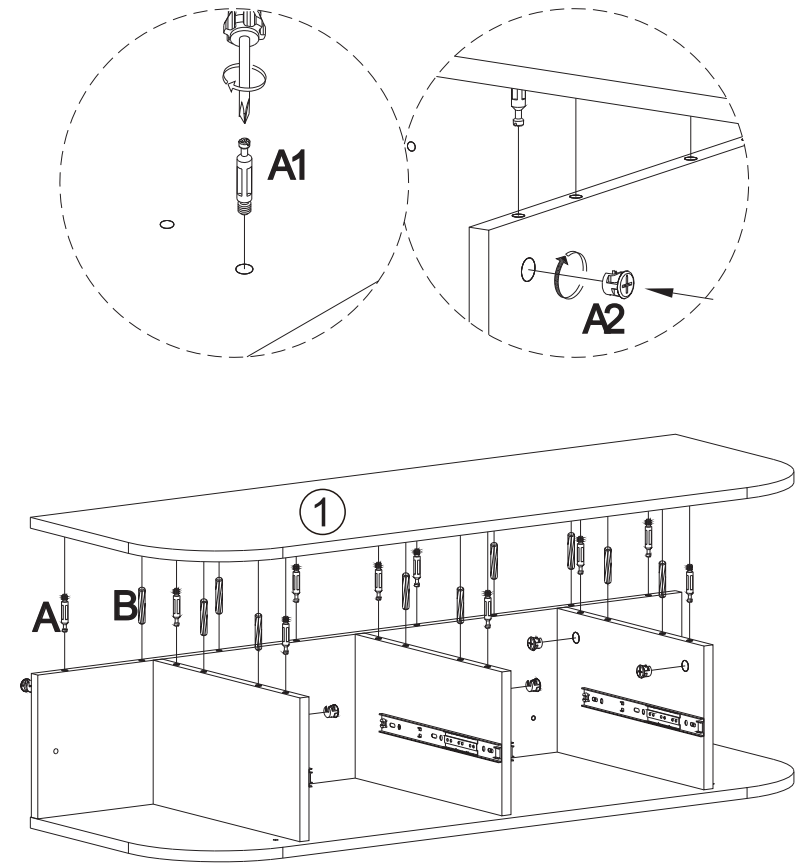
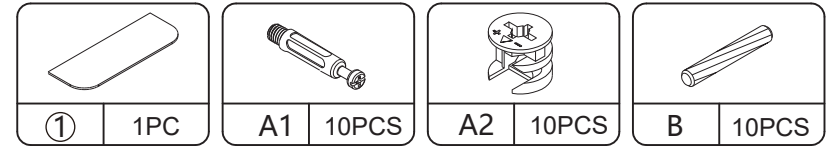
③	1PC	E	3PCS



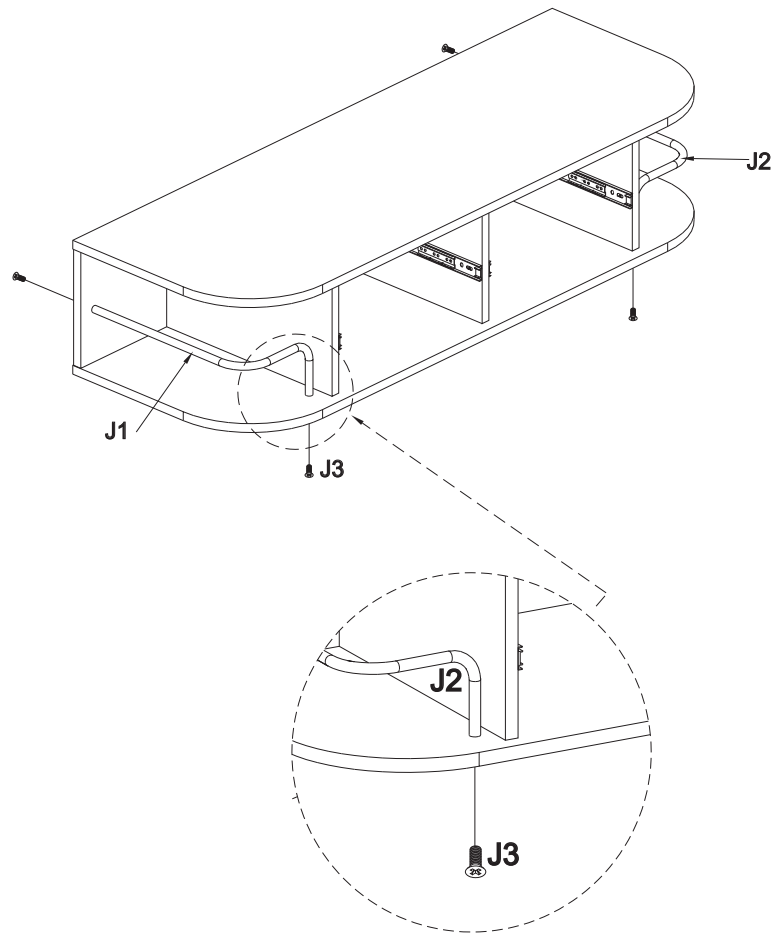
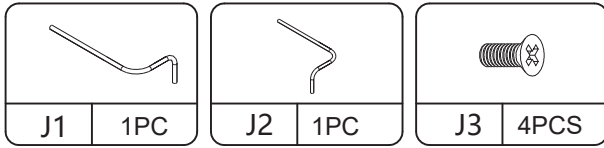
STEP 4



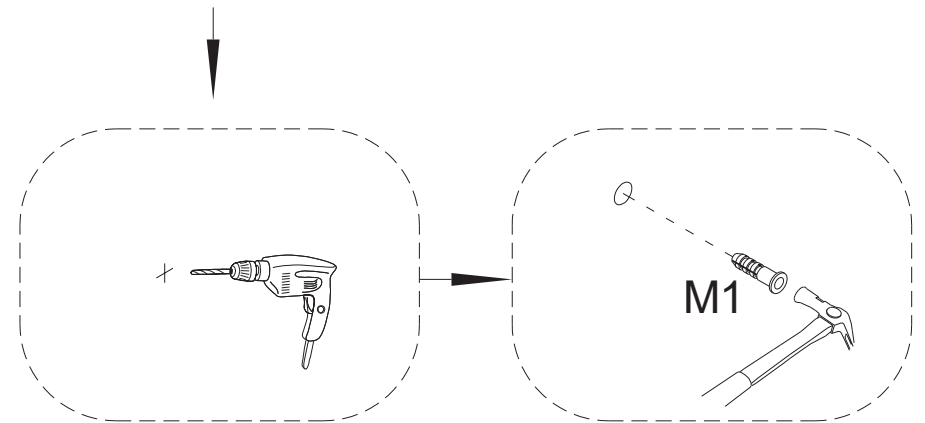
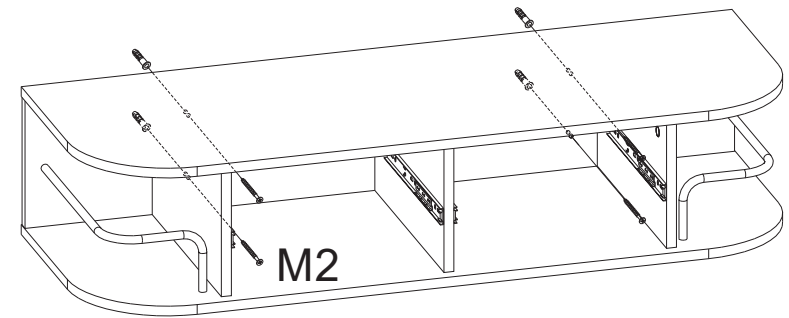
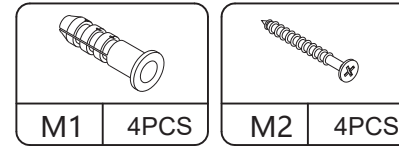
STEP 5



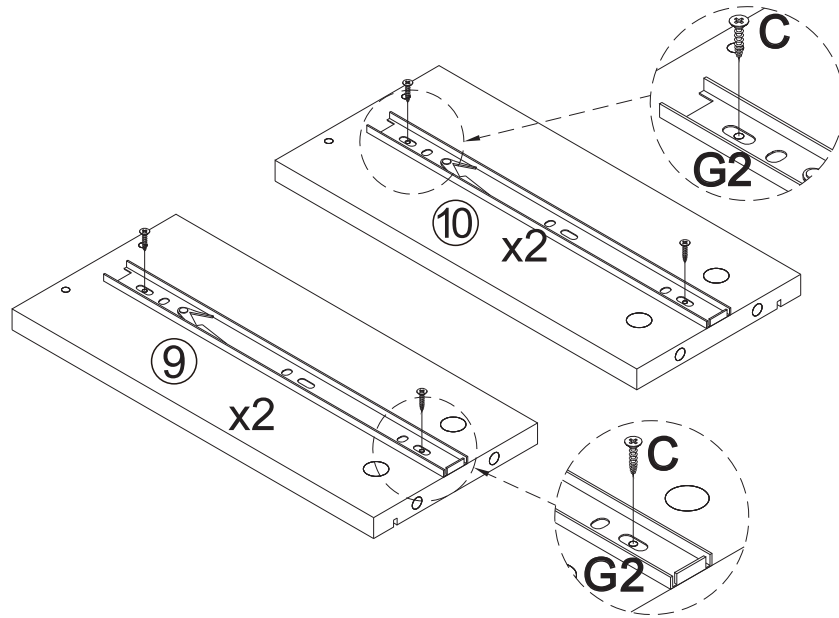
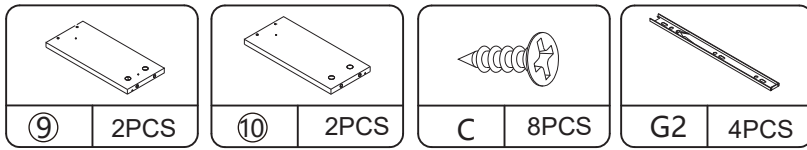
STEP 6



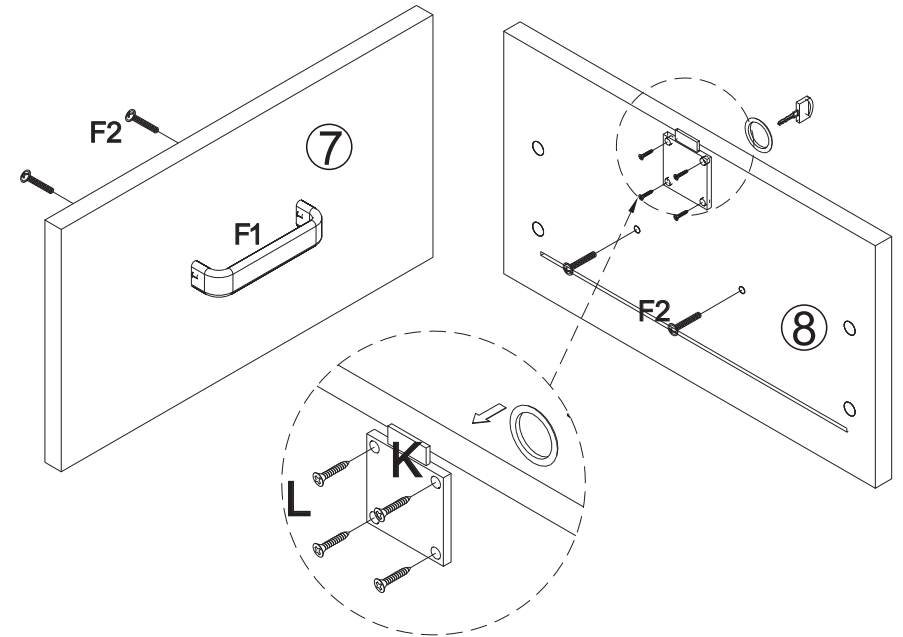
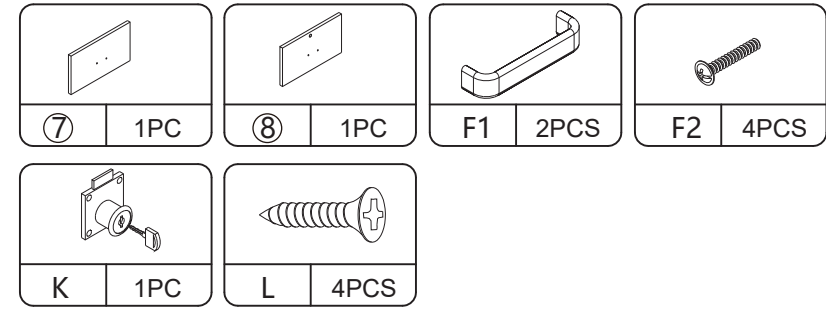
STEP 7



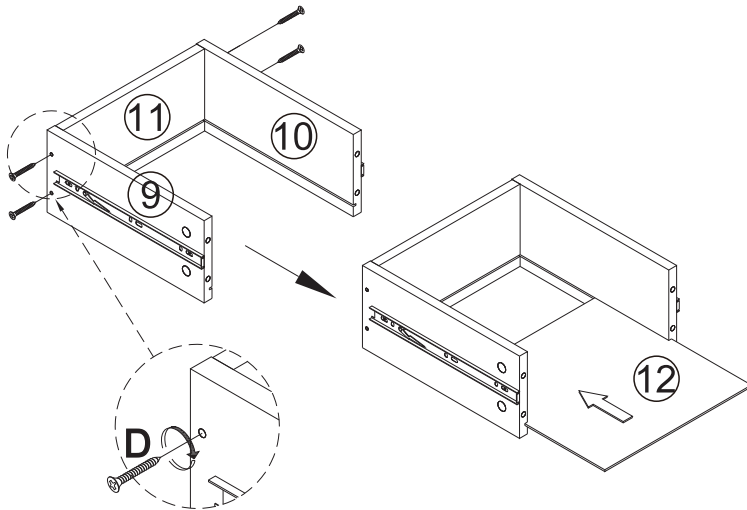
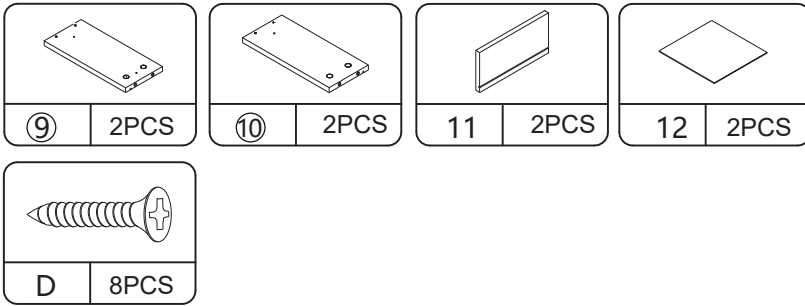
STEP 8



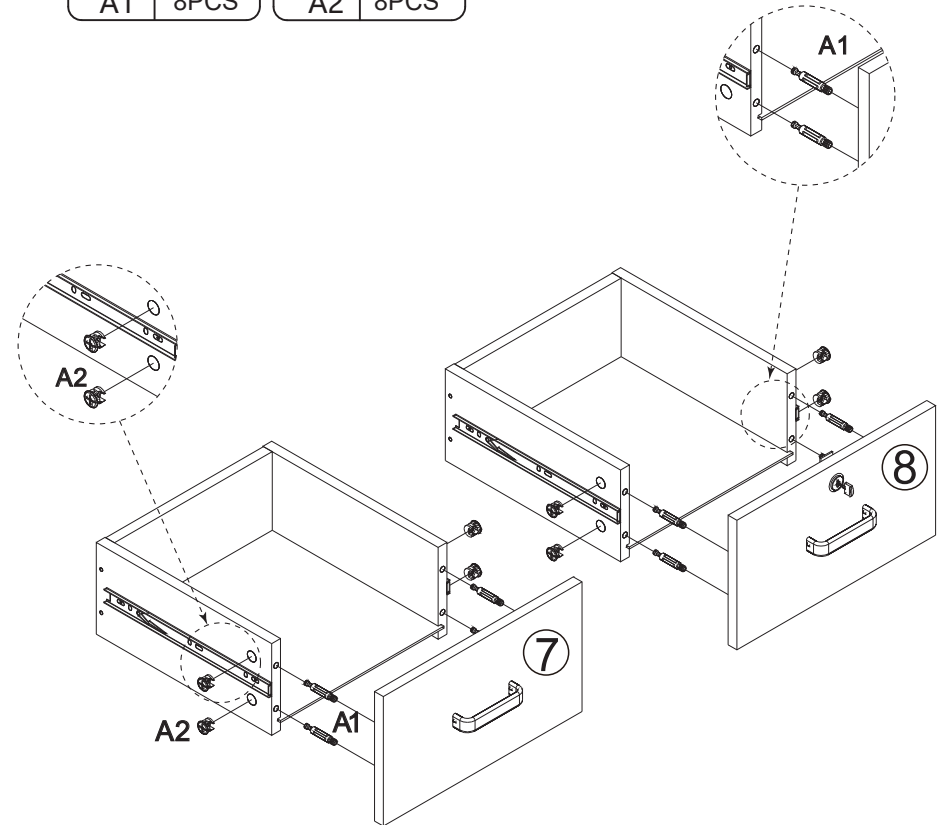
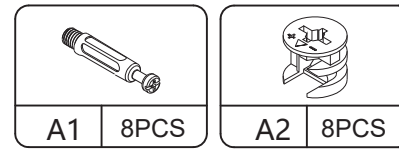
STEP 9



STEP 10



STEP 11



STEP 12

