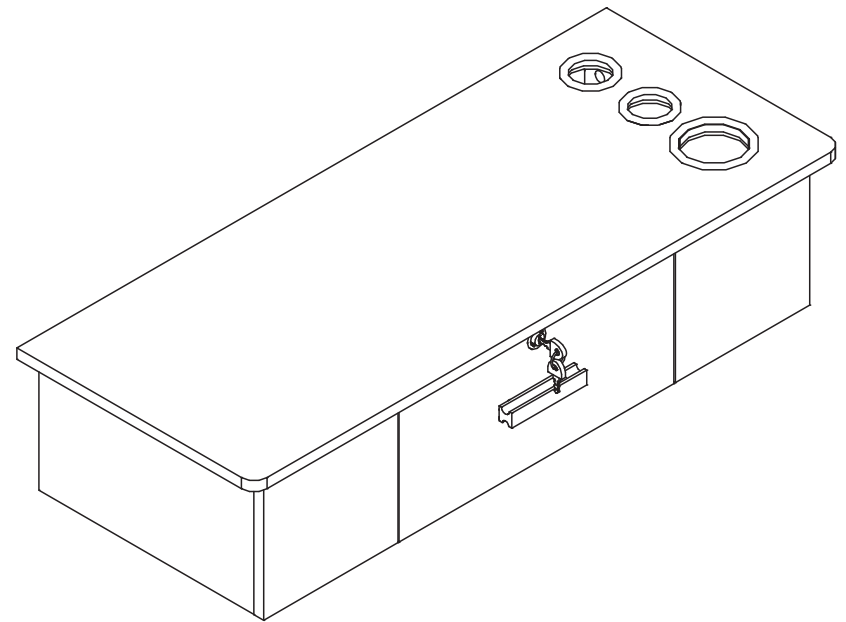


User Manual



Model Number: MR11G0167
MR11N0208
MR11W0250



Dear Customer,

Thank you for your purchase.

RESHABLE is created to be the perfect starting spot for any barbers. Supplying top-quality barber supplies like barber chairs, salon stations, rolling makeup cases, styling drawer cabinets, hair tool holders, and more, we help people to keep their barber store running with the best equipment at the most reliable prices.

When you receive the product, please make sure that all the parts are intact. Then please browse the entire installation manual before assembly. If problems occur unsatisfactorily as follows:

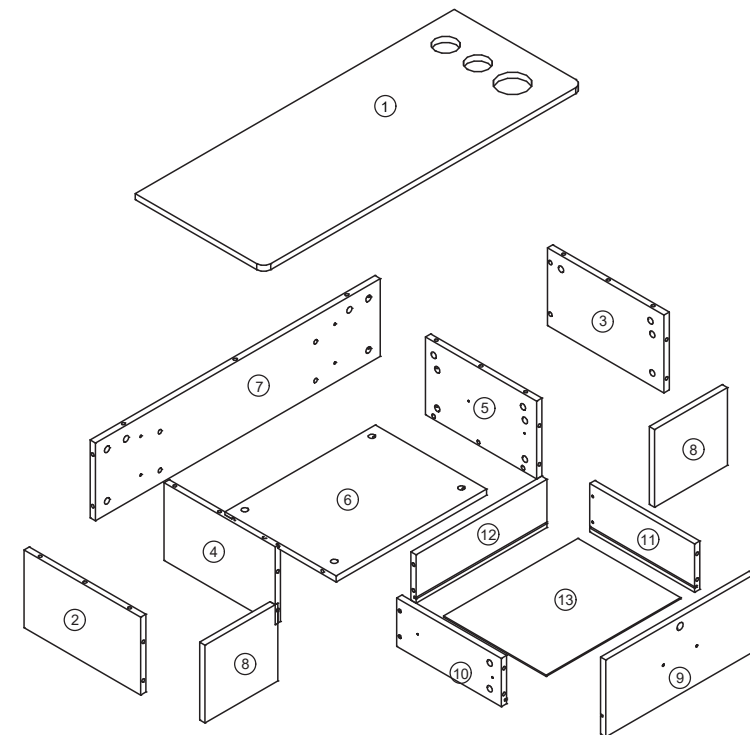
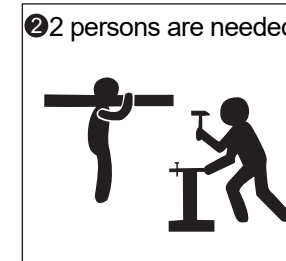
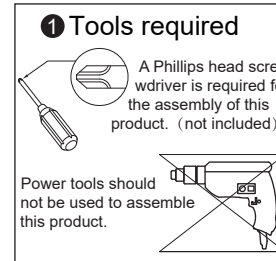
- a. The outer box is damaged.**
- b. The product is damaged/bent/cracked while you open the box.**
- c. The parts/accessories/assembly tools are missing.**
- d. The product is hard to assemble.**
- e. The instructions are not clear and can not be referred to.**
- f. The product has functional problems.**
- g. Other aspects that you are not satisfied with.**

Please do not hesitate to contact us for help (Be sure to mark the SKU NUMBER, e.g., MR11R0246, and the TRACKING NUMBER). Our RESHABLE team with factory direct after-sales service will reply within 24 hours and do our best to resolve the problem for you. Our service is available at any time.

Sincerely,
RESHABLE Team

RESHABLE
for Profession and Creativity!

You need



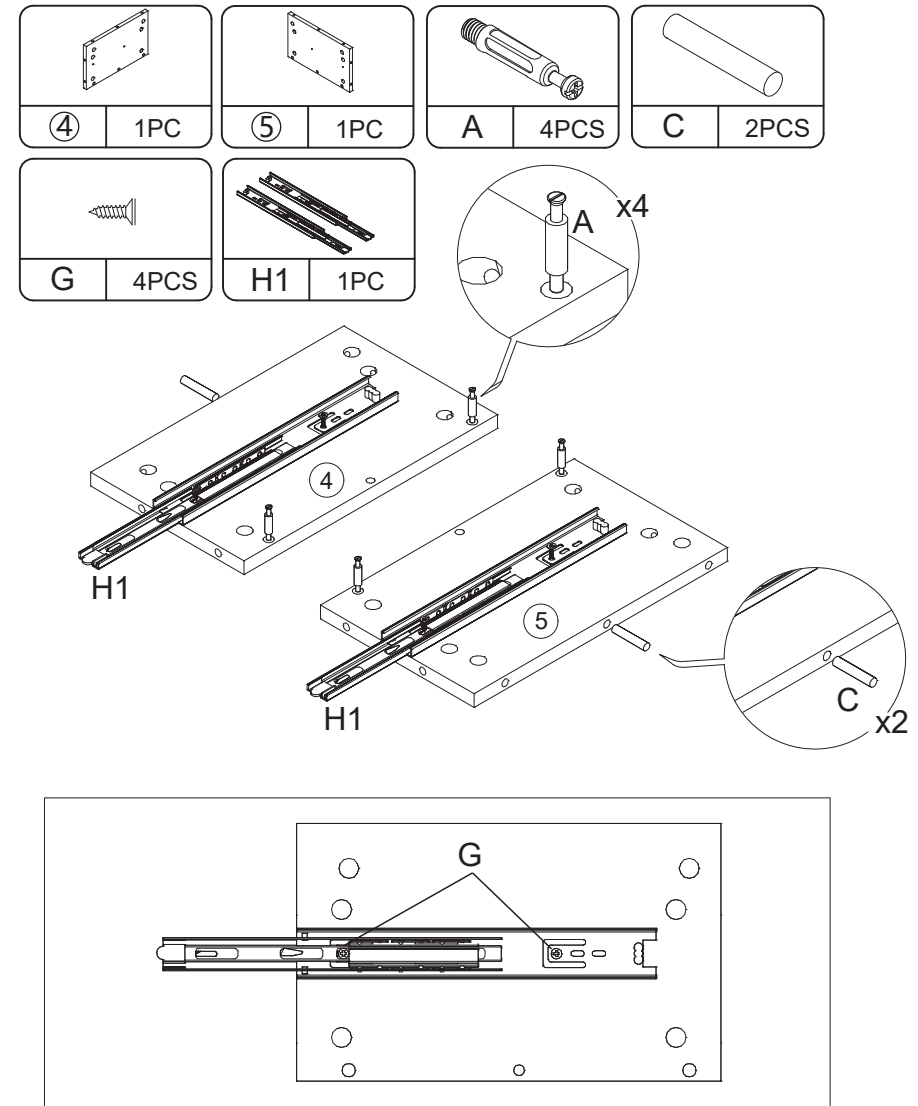
Hardware List

① 1PC	② 1PC	③ 1PC	④ 1PC
⑤ 1PC	⑥ 1PC	⑦ 1PC	⑧ 2PCS
⑨ 1PC	⑩ 1PC	⑪ 1PC	⑫ 1PC
⑬ 1PC	A 34PCS φ8x40 mm	B 34PCS φ15x10 mm	C 7PCS φ8x40 mm
D 1PC	E 1PC	F 4PCS φ3.5x35 mm	G 8PCS φ3.5x14 mm
H 1PC	I 4PCS φ4x75 mm	J 1PC	
			H1
			H2

PRODUCT ASSEMBLY

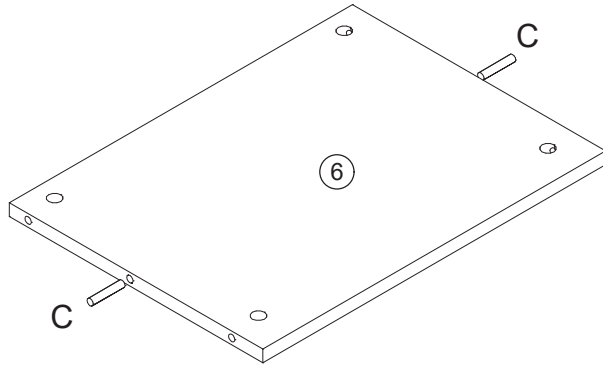
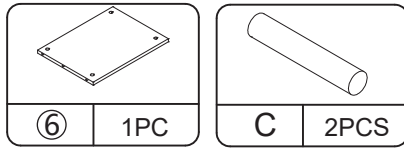
Check the package contents before getting started!

STEP 1

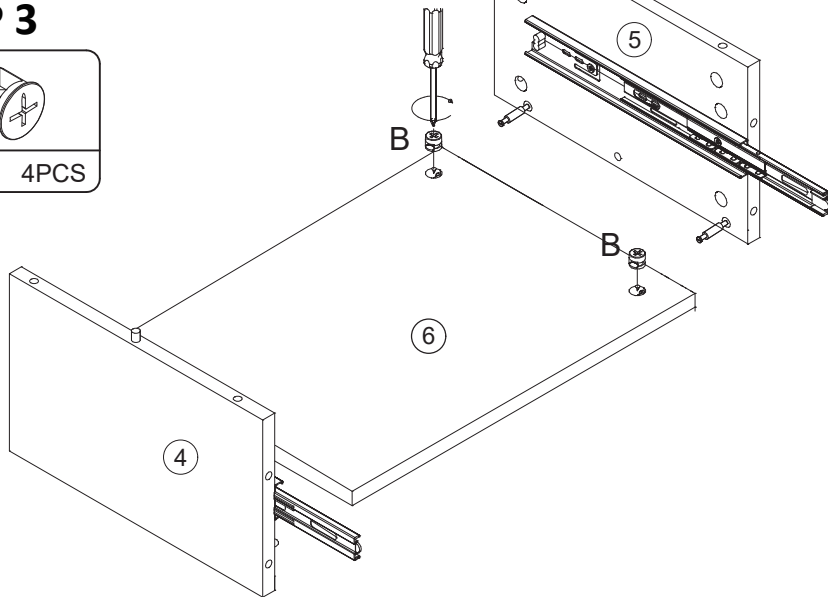
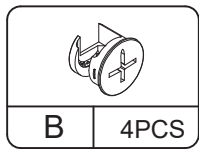


PRODUCT ASSEMBLY

STEP 2

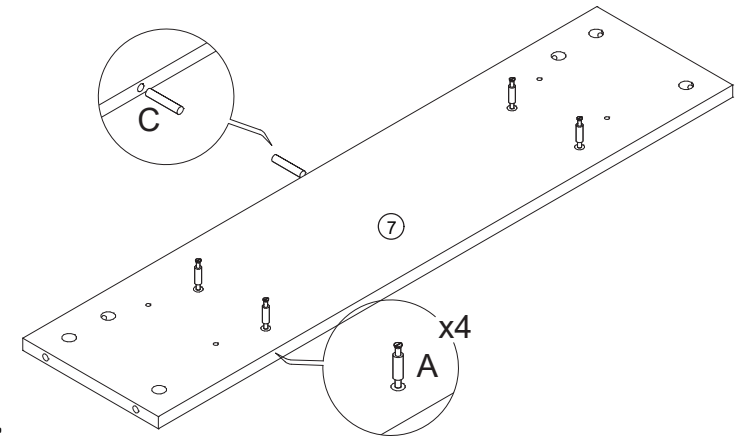
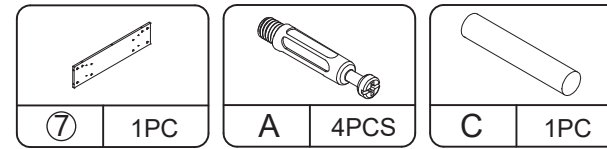


STEP 3

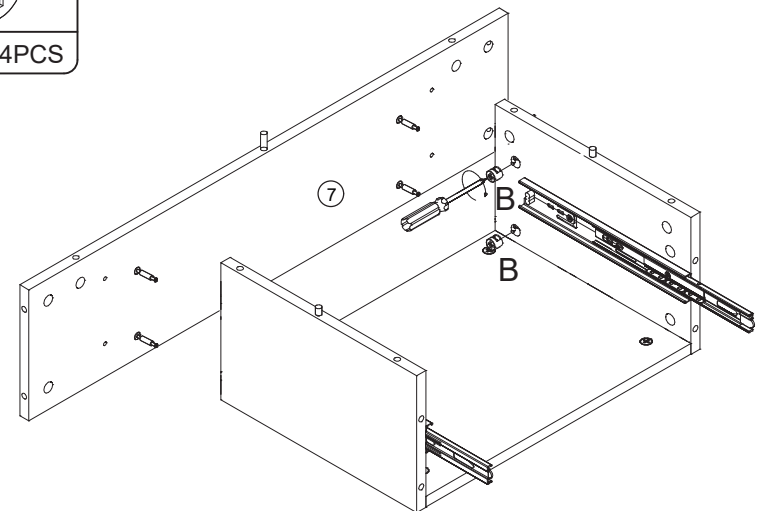
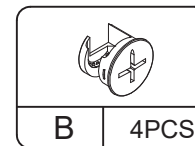


PRODUCT ASSEMBLY

STEP 4

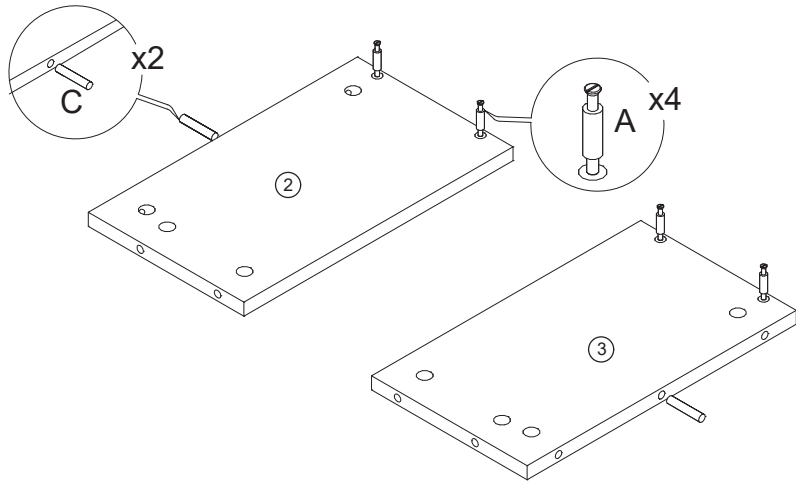
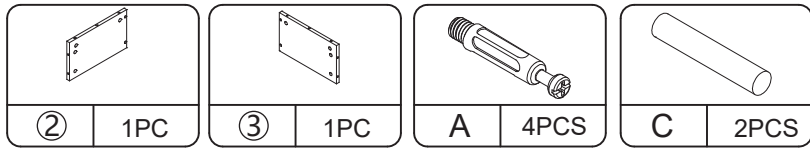


STEP 5

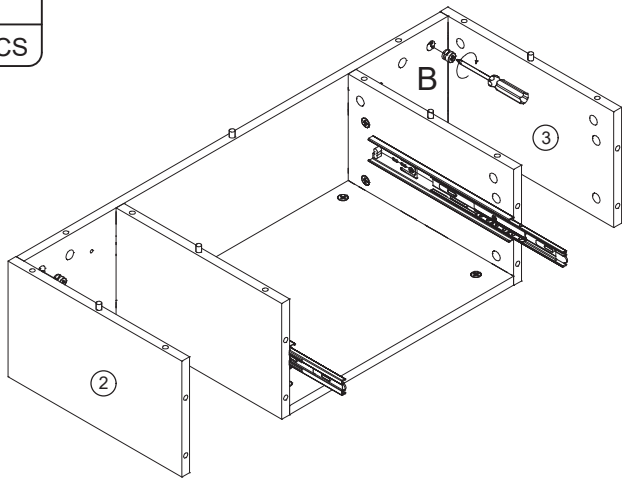
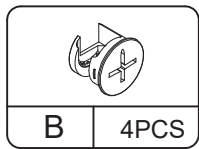


PRODUCT ASSEMBLY

STEP 6

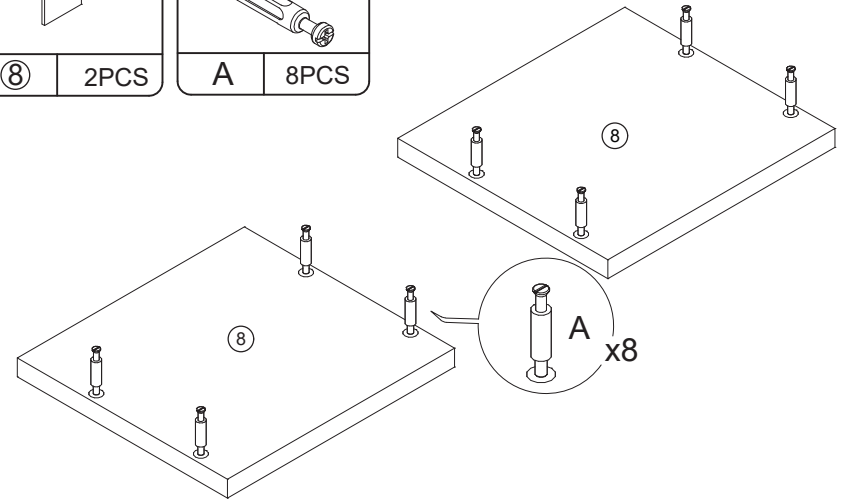
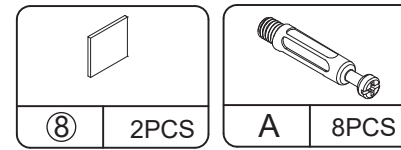


STEP 7

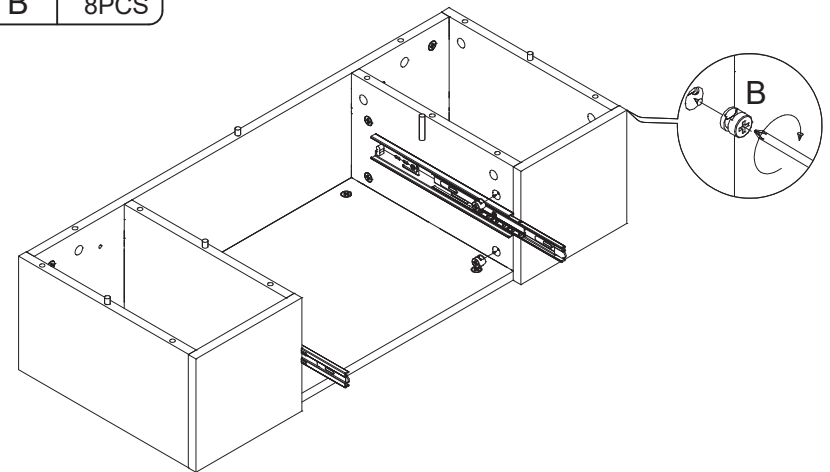
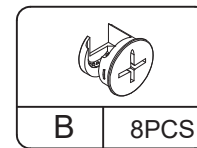


PRODUCT ASSEMBLY

STEP 8

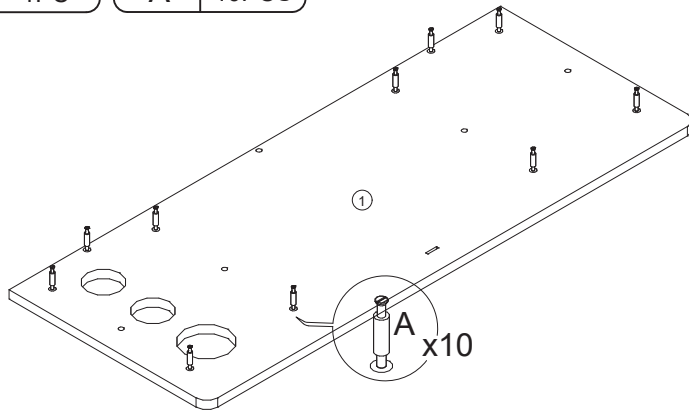
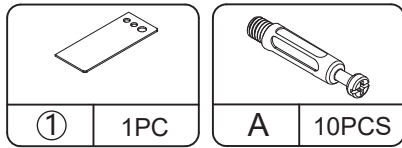


STEP 9

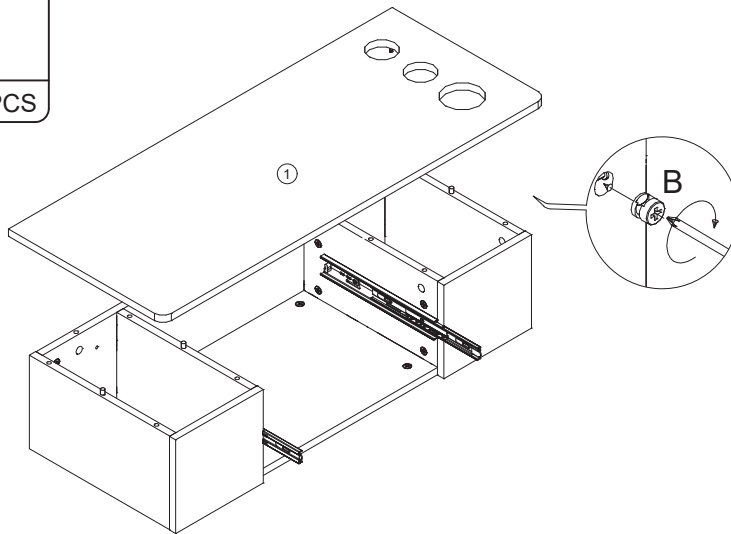
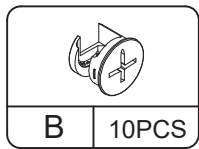


PRODUCT ASSEMBLY

STEP 10

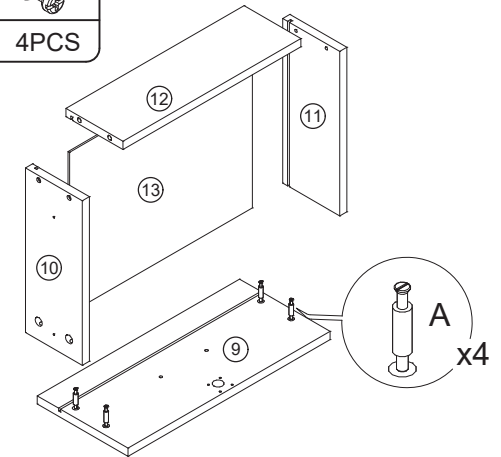
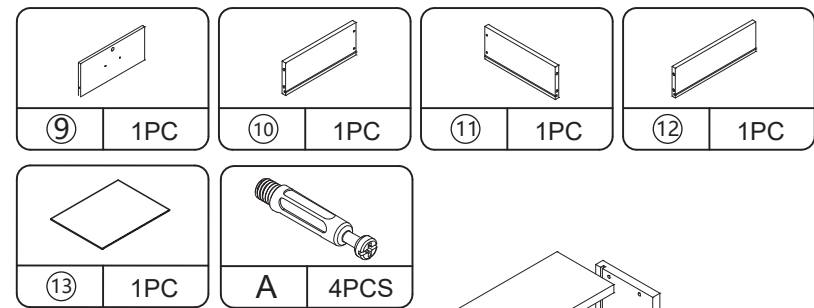


STEP 11

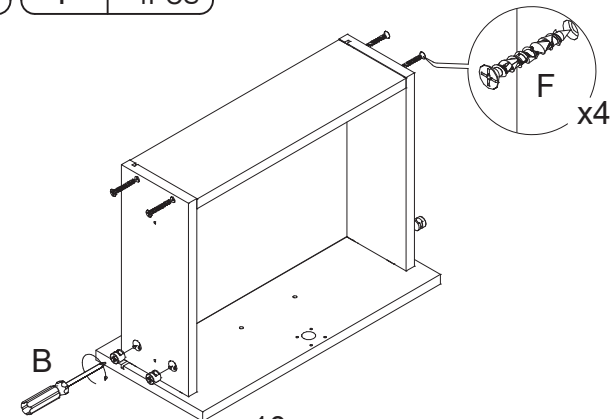
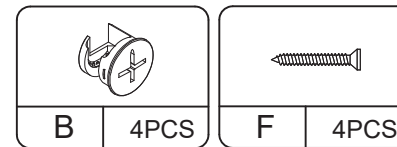


PRODUCT ASSEMBLY

STEP 12

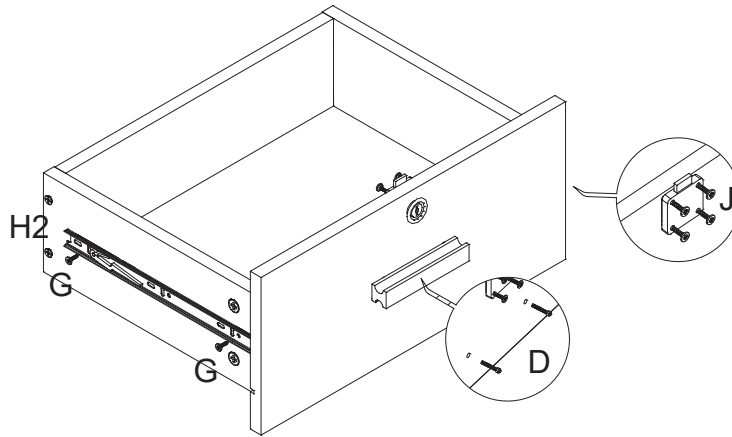
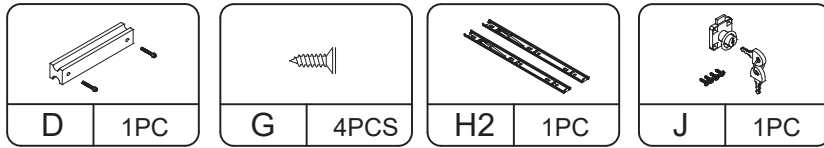


STEP 13

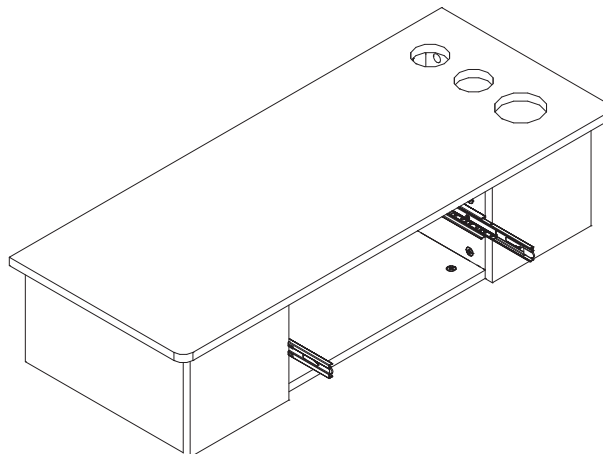
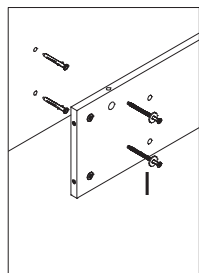
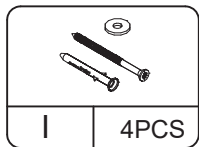


PRODUCT ASSEMBLY

STEP 14



STEP 15



PRODUCT ASSEMBLY

STEP 16

