



NOTICE:

If your package is missing parts or you are having issues with assembly, please call us directly or message us, Our customer service team will address any questions or concerns you may have. Have this manual open and ready for reference.

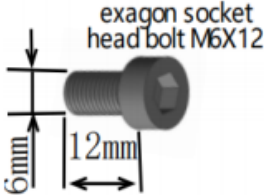
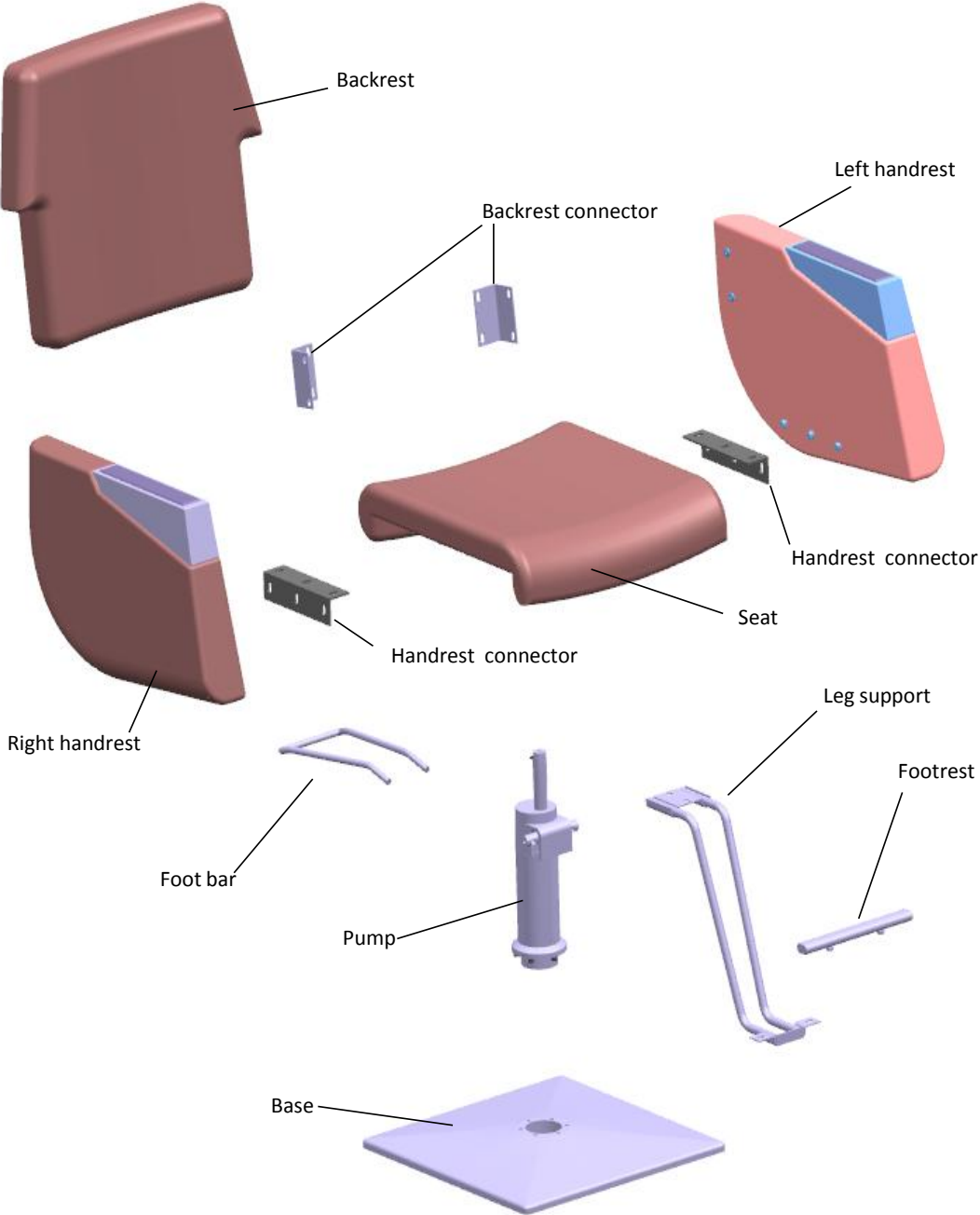
SAFETY



To reduce risk of injury when assembling & using the chair, follow these precautions:

- Read all of these instructions before assembling and using your salon chair.
- It is helpful to have 2 people assemble and turn the chair upright after assembling.
- **Do not over-extend the chair (the weight of person cannot exceed 150kg), creating the risk of falls or tipping the chair, and its occupant over, resulting in injury**

PARTS & FEATURES



Black bolt × 6

INSTALLATION INSTRUCTION

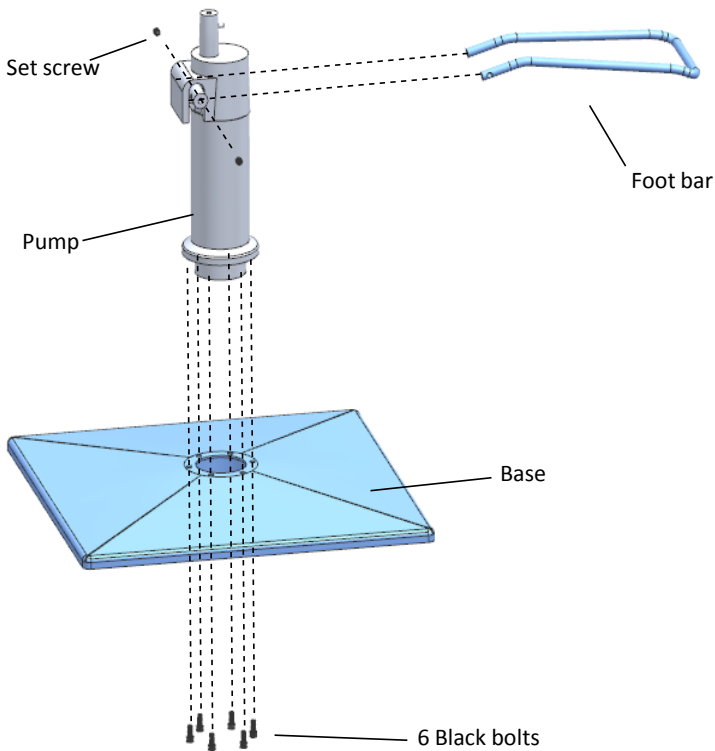
First: Installation pump to the base

Step 1: Install the pump to the base with the 6 black bolts .

Step 2: Place assembled Base & Pump on floor. Use Allen Wrench to loosen the screws in the crossbar. See photo besides.

Insert Foot Bar into the holes of the crossbar. (May require slightly squeezing ends of Foot Bar towards each other, and some maneuvering for the bar ends to go into place.)

Step 3. Tighten the 2 set screws to firmly hold the Foot Bar in place.

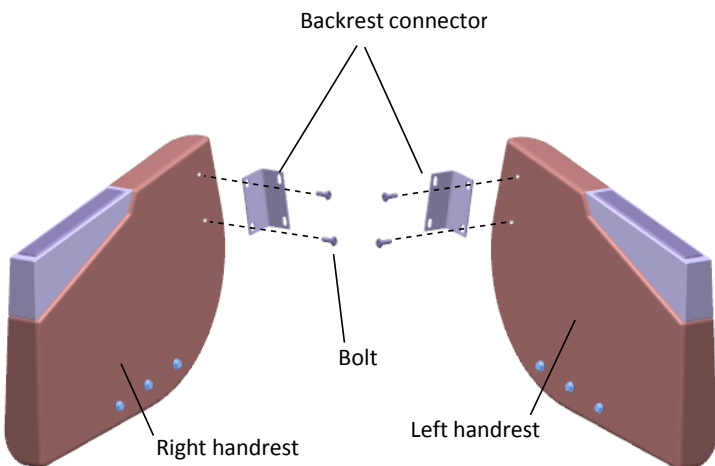


Second : Install backrest connectors to handrests

Step 1. Remove the 4 bolts which Pre-fixed in 2 handrests .

Step 2 . Install the 2 backrest connectors to the left handrest and right handrest with the bolts which removed from 2 handrests .

Please follow up the diagram beside

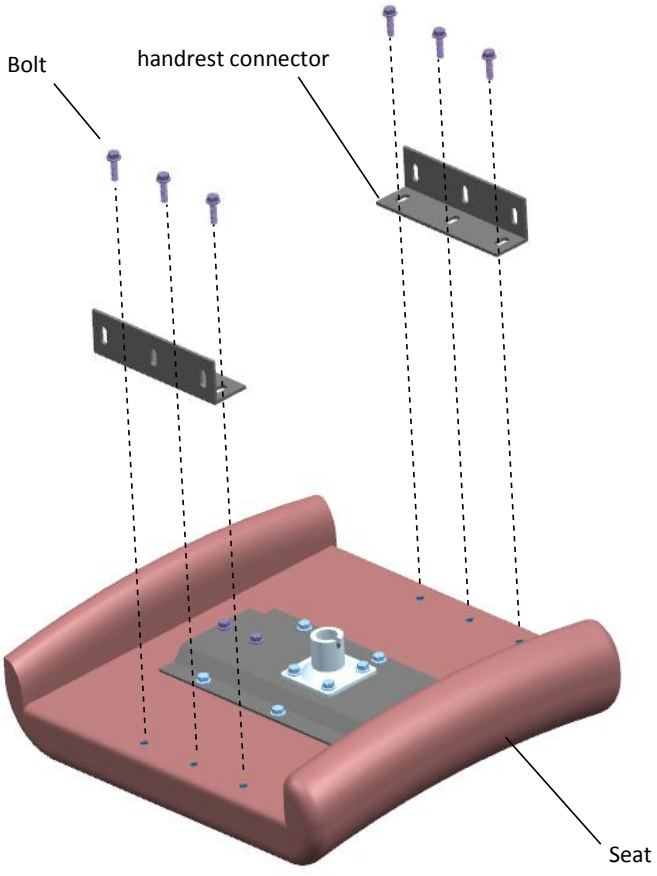


Third : Install handrest connectors to seat

Step 1. Remove the 6 bolts which Pre-fixed in the seat.

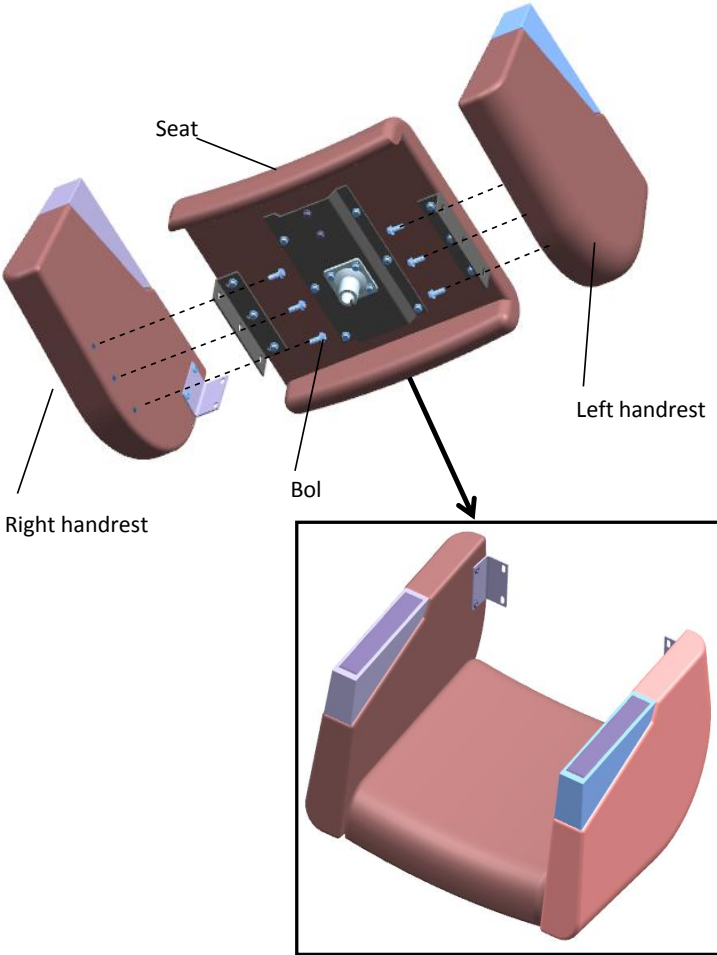
Step 2. Install 2 handrest connectors to the seat with 6 bolts which removed from the seat.

Please follow up the diagram beside



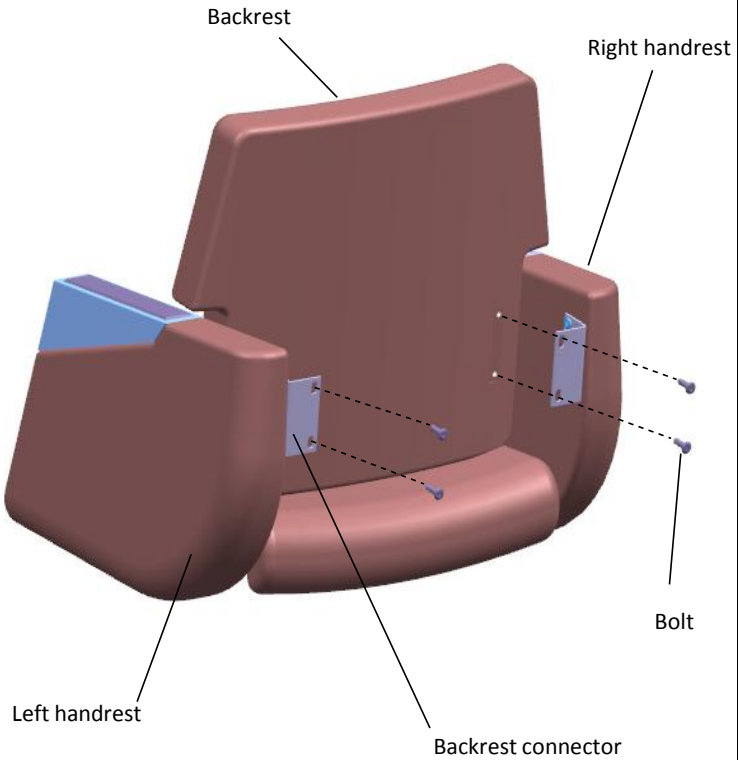
Fourth : install the footrest to the seat

Step 3 .Install the left handrest and right handrest to the seat . **Please follow up the diagram beside**



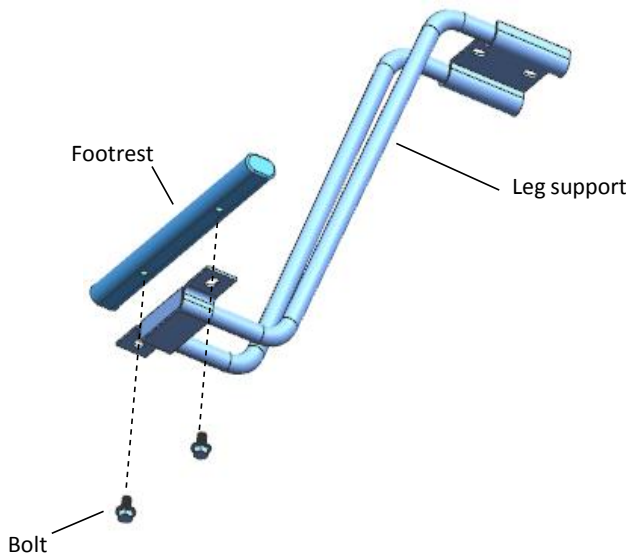
Fifth : Install backrest to the assembled seat

Step 1.Remove the 4 bolts which Pre-fixed in the backrest
2.Install backrest to the backrest connectors that installed to the handrests by the 4 bolts .
Please follow up the diagram beside



Sixth : Install footrest to leg support

Step 1:Remove the 2 bolts which pre-fixed in the footrest
Step 2:Install the footrest to the leg support by the 2 bolts
Please follow up the diagram beside

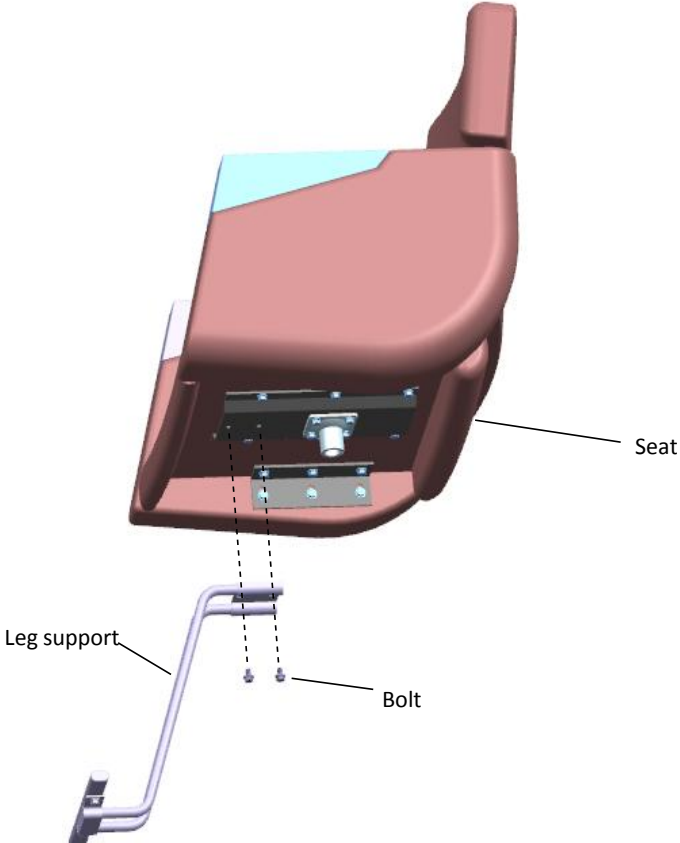


Seventh : install the footrest to the seat

1. Step 1: Remove the 2 bolts which pre-fixed in the seat

Step 2: Install the leg support to the seat by 2 the bolts .

Please follow up the diagram beside

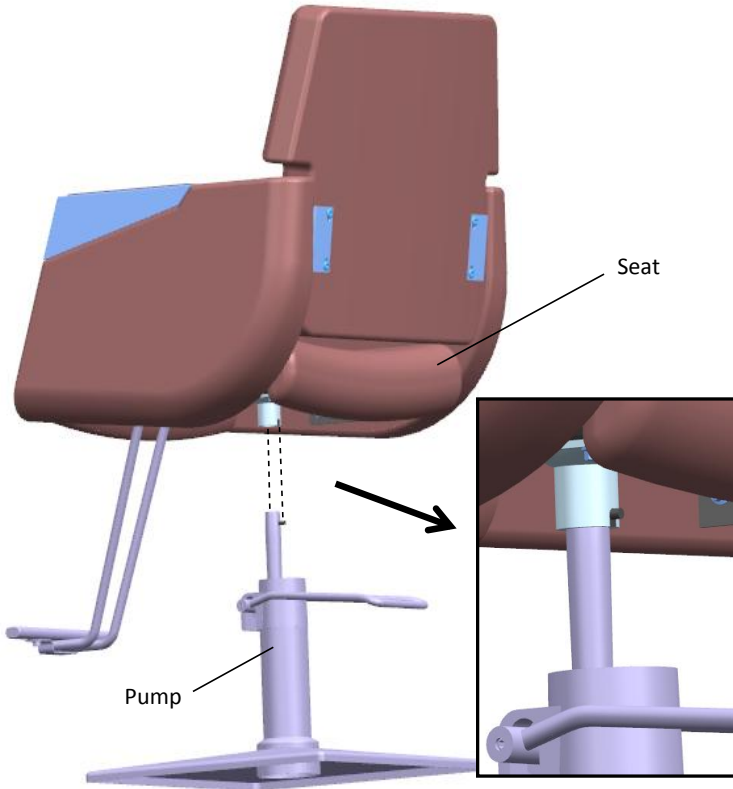


Eighth : Set the Seat onto the top of Pump

Step 1. Locate the slot in the short column under the Seat. Align this slot with the black pin at the top of pump.

Step 2. Set installed Seat & Backrest onto installed Pump & Base and press down.

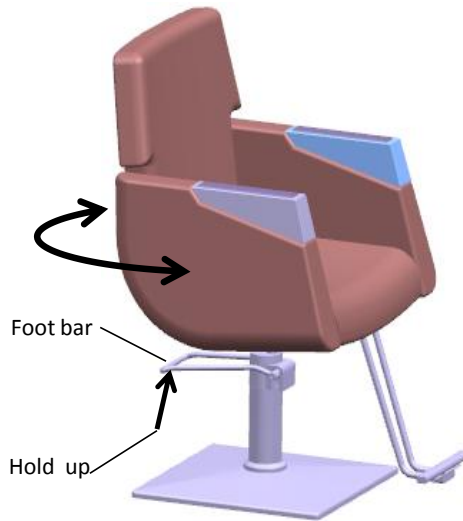
Please follow up the diagram beside



OPERATING THE CHAIR

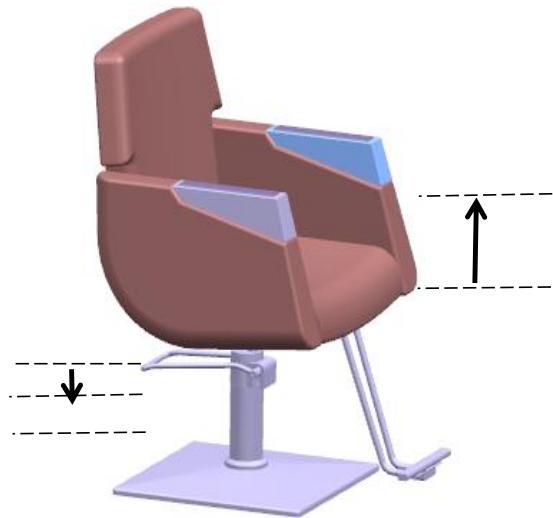
First :

1. In the natural state, the upper part of the pump can rotate freely on the rotation axis of the pump;
2. Hold up the foot bar to lock the rotating .



Second : Raising the Chair

- Step down on the Foot Bar repeatedly to raise the chair to the desired height.
- Do not over-extend the chair, creating the risk of falls or tipping the chair and its occupant over, resulting in injury



Third: Lowering the Chair

- Step down and hold the Foot Bar to allow chair to lower.

