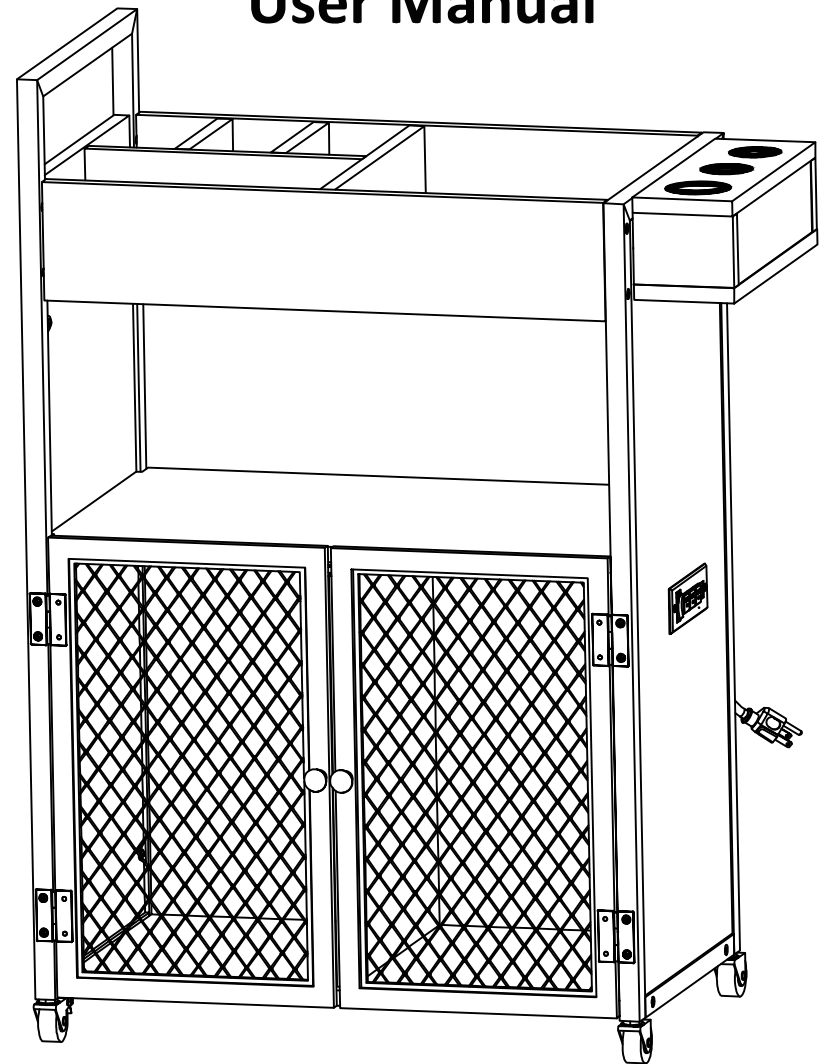


# User Manual



Model Number: MR11Y0252



## Dear Customer,

Thank you for your purchase.

RESHABLE is created to be the perfect starting spot for any barbers. Supplying top-quality barber supplies like barber chairs, salon stations, rolling makeup cases, styling drawer cabinets, hair tool holders, and more, we help people to keep their barber store running with the best equipment at the most reliable prices.

When you receive the product, please make sure that all the parts are intact. Then please browse the entire installation manual before assembly. If problems occur unsatisfactorily as follows:

**a. The outer box is damaged.**

**b. The product is damaged/bent/cracked while you open the box.**

**c. The parts/accessories/assembly tools are missing.**

**d. The product is hard to assemble.**

**e. The instructions are not clear and can not be referred to.**

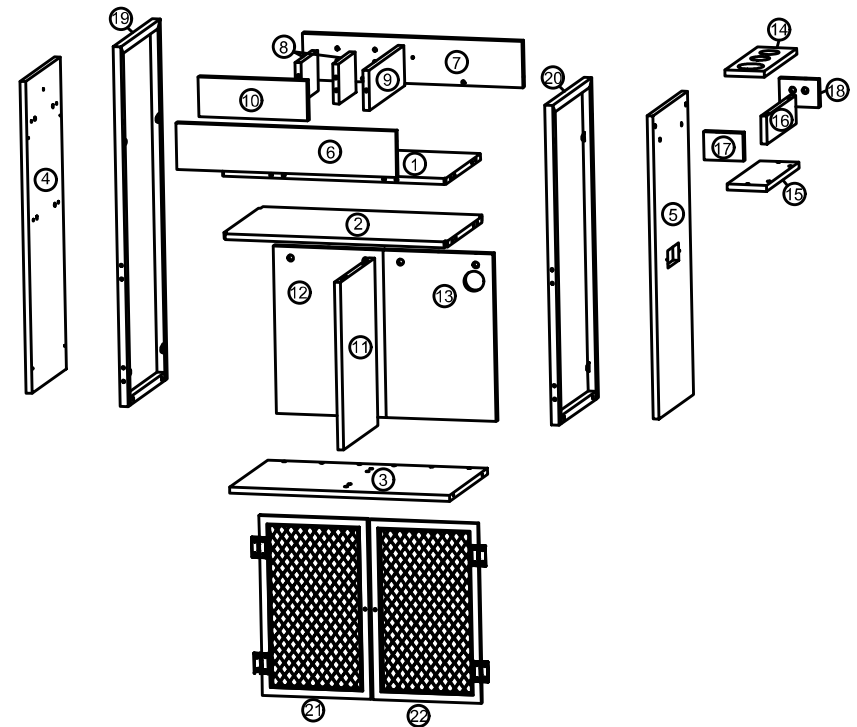
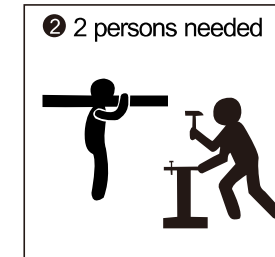
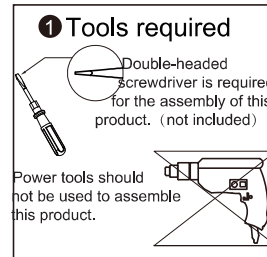
**f. The product has functional problems.**

**g. Other aspects that you are not satisfied with.**

Please do not hesitate to contact us for help (Be sure to mark the SKU NUMBER, e.g., MR11R0246, and the TRACKING NUMBER). Our RESHABLE team with factory direct after-sales service will reply within 24 hours and do our best to resolve the problem for you. Our service is available at any time.








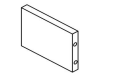
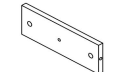
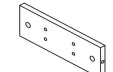






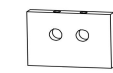
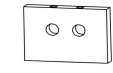




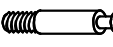




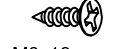
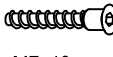

**RESHABLE**  
for Profession and Creativity!








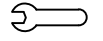
## You need



Sincerely,  
RESHABLE Team

# Hardware List

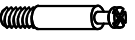
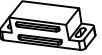


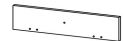

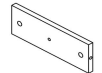

 ① 1PC	 ② 1PC	 ③ 1PC	 ④ 1PC
 ⑤ 1PC	 ⑥ 1PC	 ⑦ 1PC	 ⑧ 2PCS
 ⑨ 1PC	 ⑩ 1PC	 ⑪ 1PC	 ⑫ 1PC
 ⑬ 1PC	 ⑭ 1PC	 ⑮ 1PC	 ⑯ 1PC
 ⑰ 1PC	 ⑱ 1PC	 ⑲ 1PC	 ⑳ 1PC
 ㉑ 1PC	 ㉒ 1PC		
 φ6x35mm A 28PCS	 φ15x12mm B 28PCS	 φ8x30mm C 28PCS	 M3.5x16mm D 10PCS
 E 1PC	 M3x16mm F 2PCS	 M7x40mm G 18PCS	 M7x50mm H 12PCS

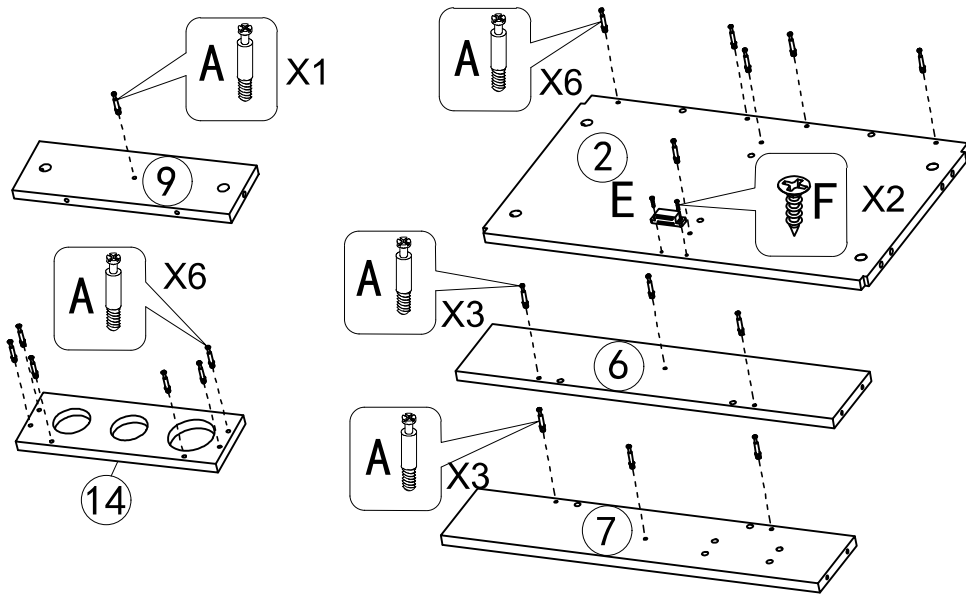
 I 1PC	 J 2PCS	 M4x14mm K 2PCS	 M4 L 1PC
 M 2PCS	 N 2PCS	 M4x13mm O 8PCS	 P 1PC

**PRODUCT ASSEMBLY**

**!** Check the package contents before getting started !

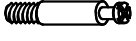


**STEP 1**

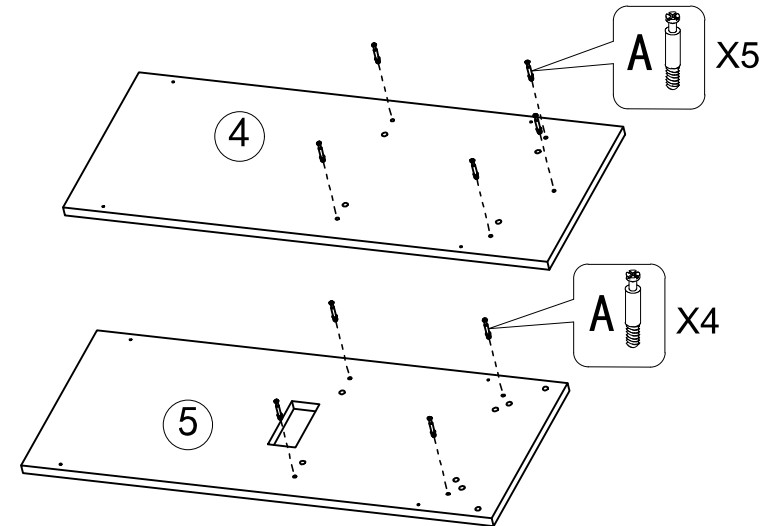
			
A 19PCS	E 1PC	F 2PCS	② 1PC
			
⑥ 1PC	⑦ 1PC	⑨ 1PC	⑭ 1PC



**PRODUCT ASSEMBLY**

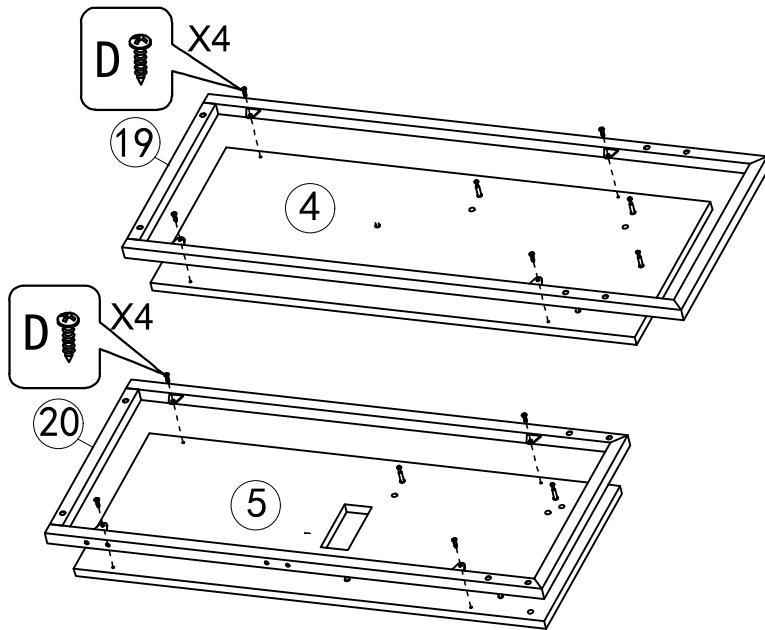
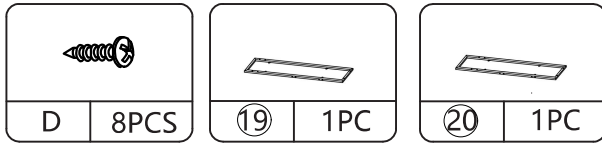
**STEP 2**

		
A 9PCS	④ 1PC	⑤ 1PC



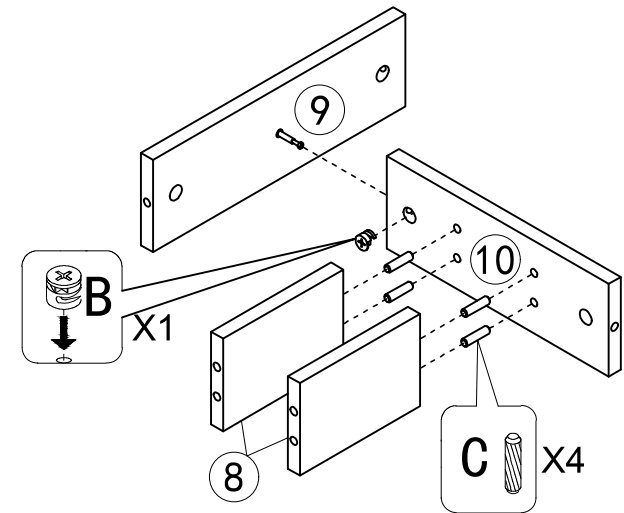
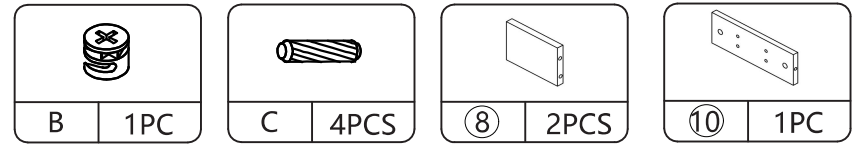
PRODUCT ASSEMBLY

STEP 3



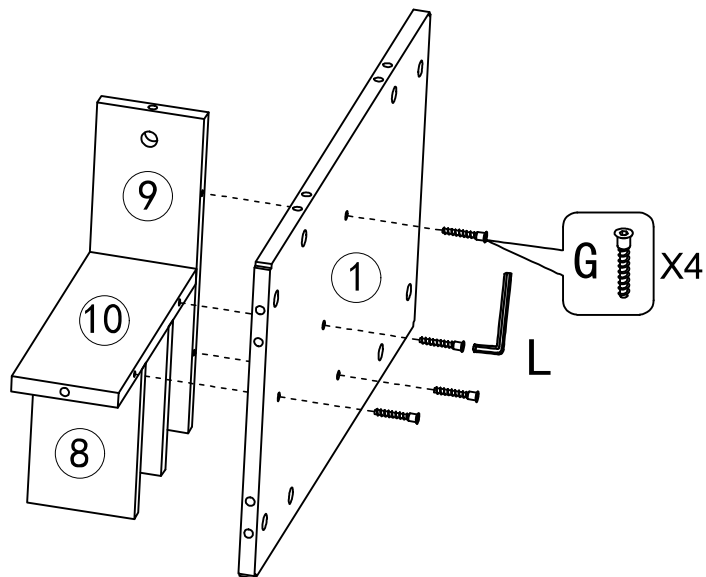
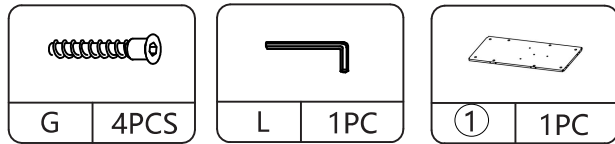
PRODUCT ASSEMBLY

STEP 4



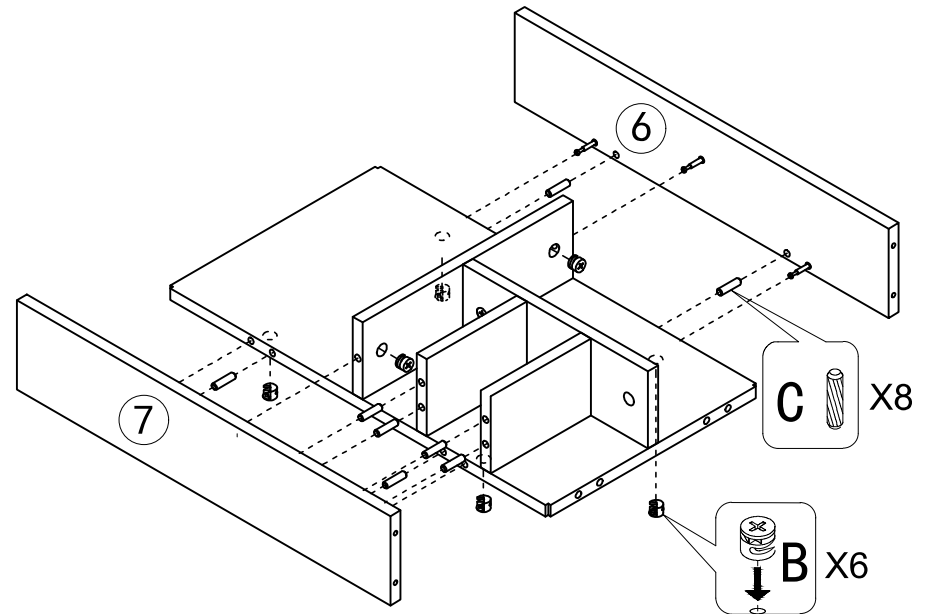
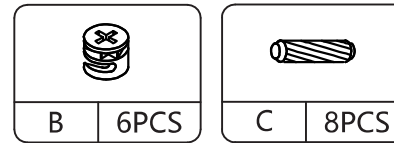
PRODUCT ASSEMBLY

STEP 5



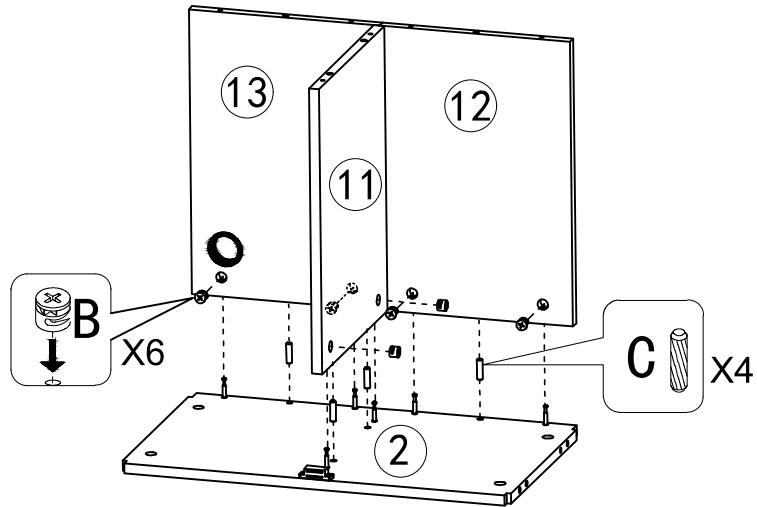
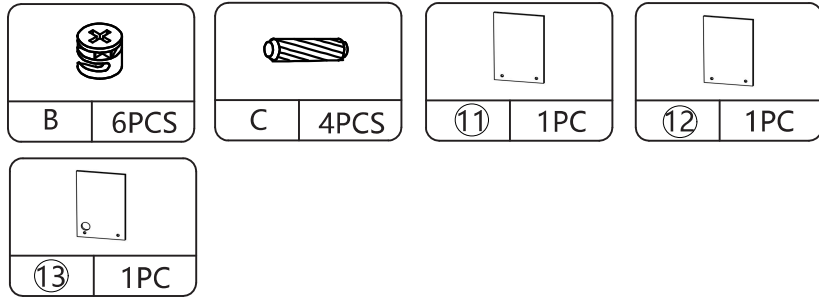
PRODUCT ASSEMBLY

STEP 6



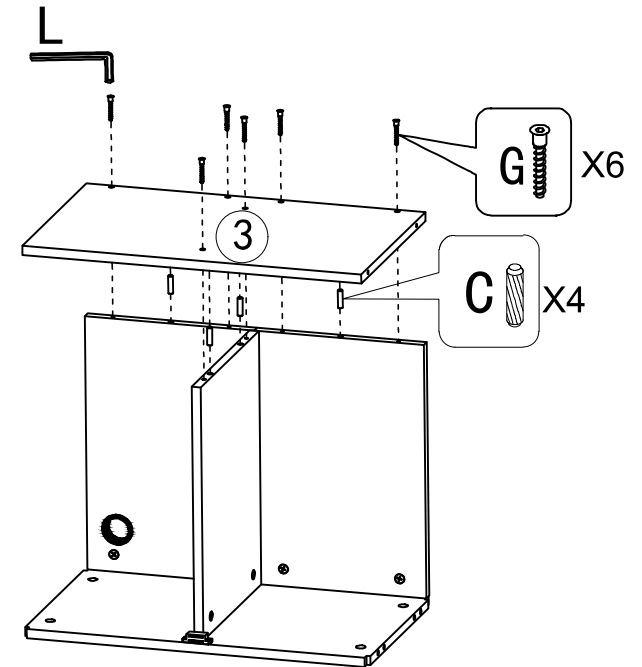
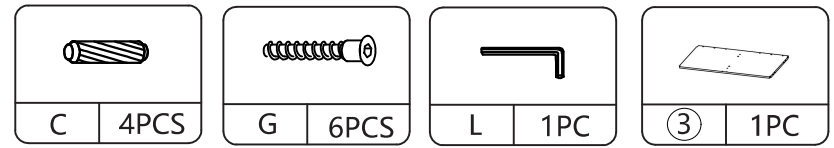
PRODUCT ASSEMBLY

STEP 7



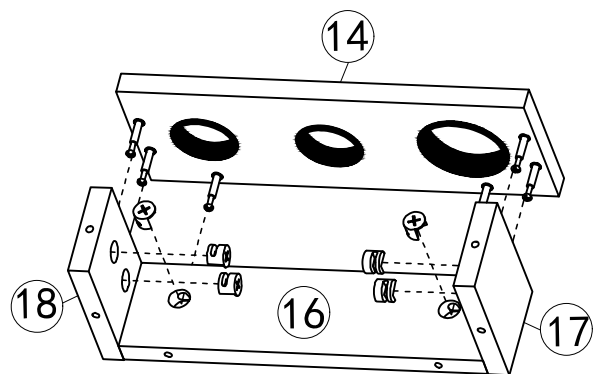
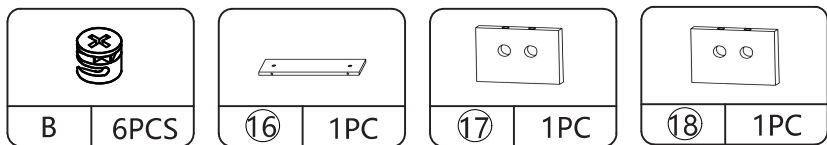
PRODUCT ASSEMBLY

STEP 8



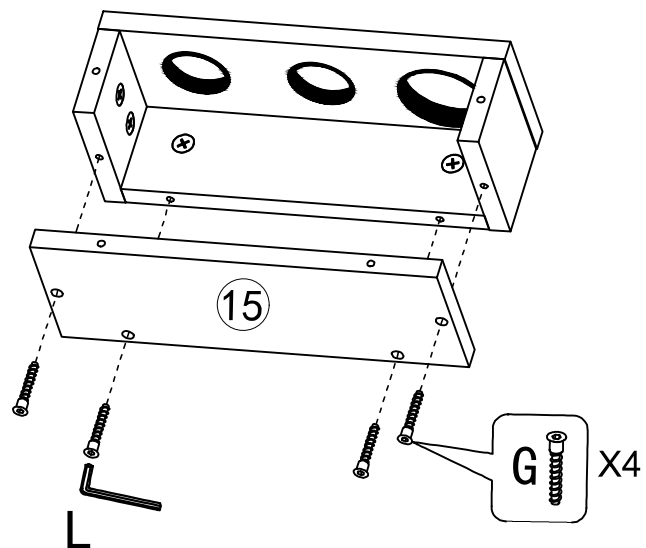
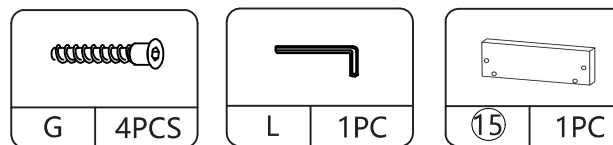
PRODUCT ASSEMBLY

STEP 9



PRODUCT ASSEMBLY

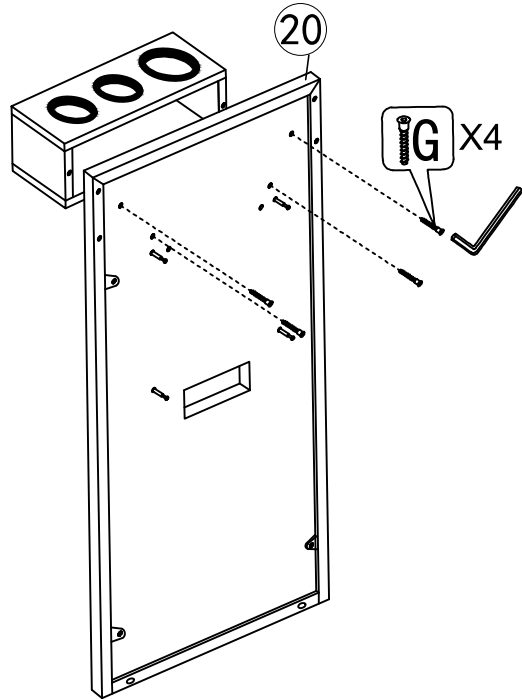
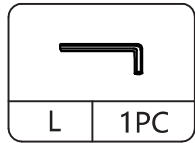
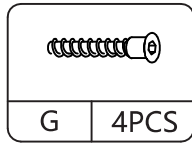
STEP 10





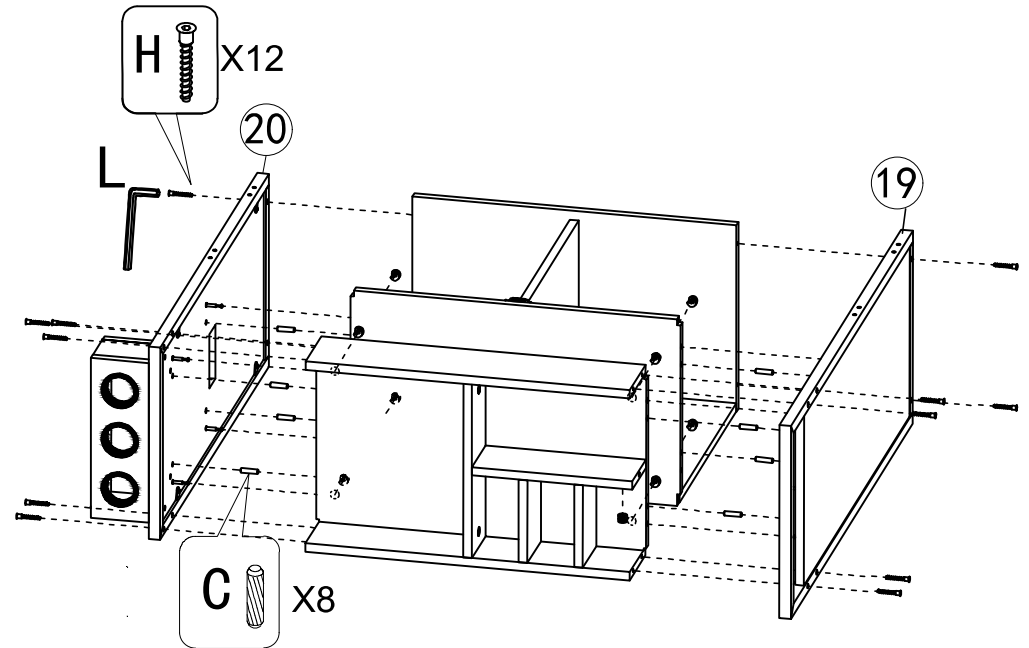
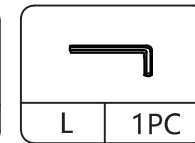
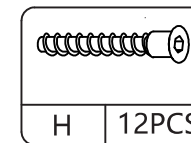
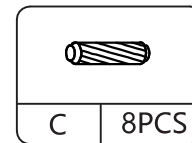
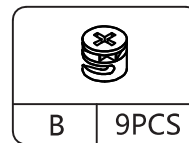
**PRODUCT ASSEMBLY**

**STEP 11**



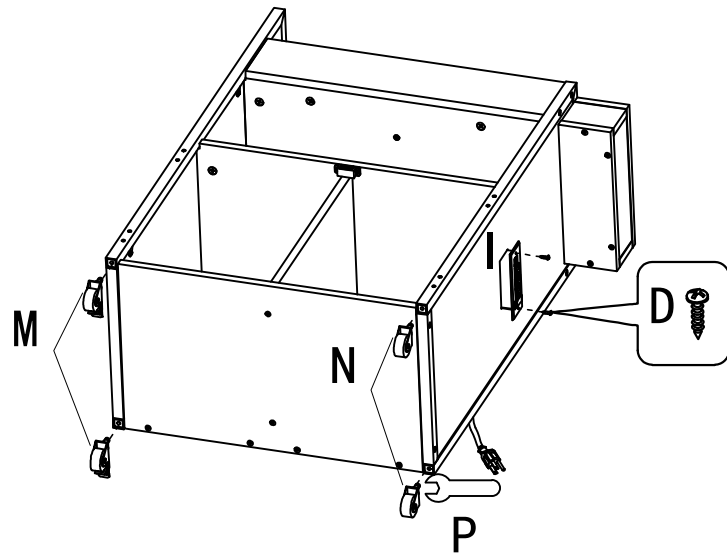
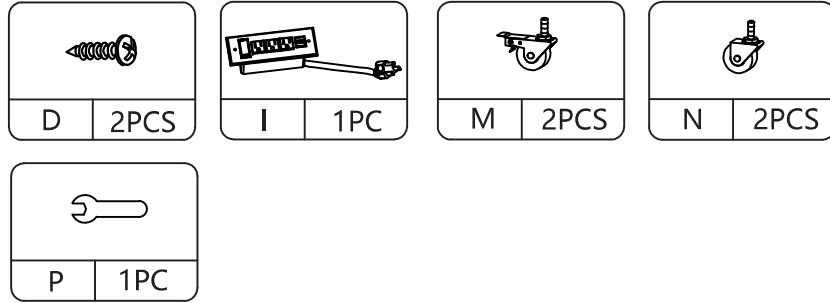
**PRODUCT ASSEMBLY**

**STEP 12**



**PRODUCT ASSEMBLY**

**STEP 13**



**PRODUCT ASSEMBLY**

**STEP 14**

