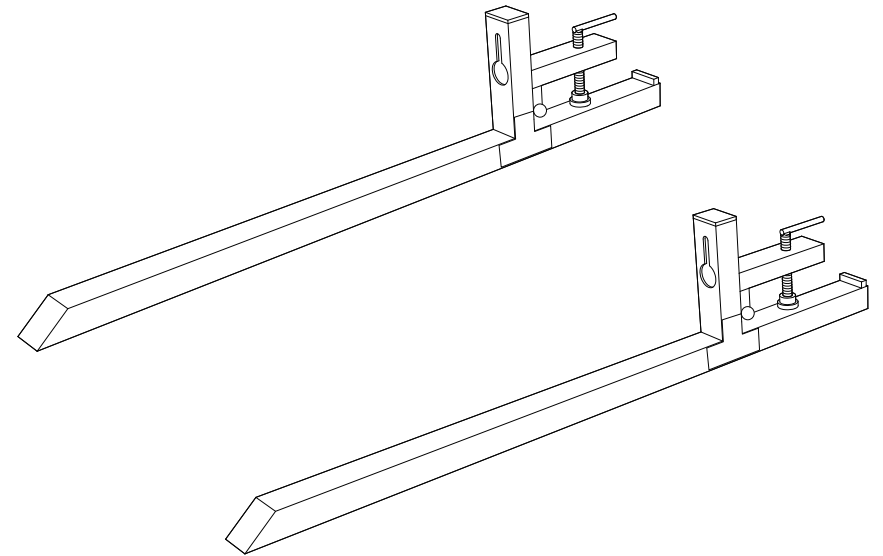


# User Manual

sandinrayli

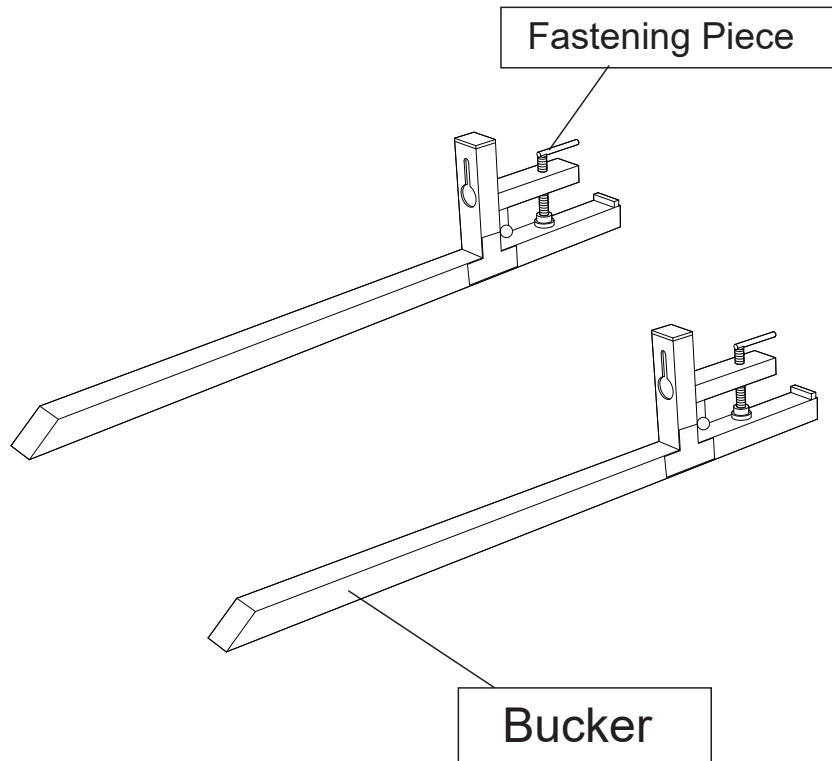


Model Number: SY18Y0245

sandinrayli

## You need

① 1 person is needed



## Hardware List

