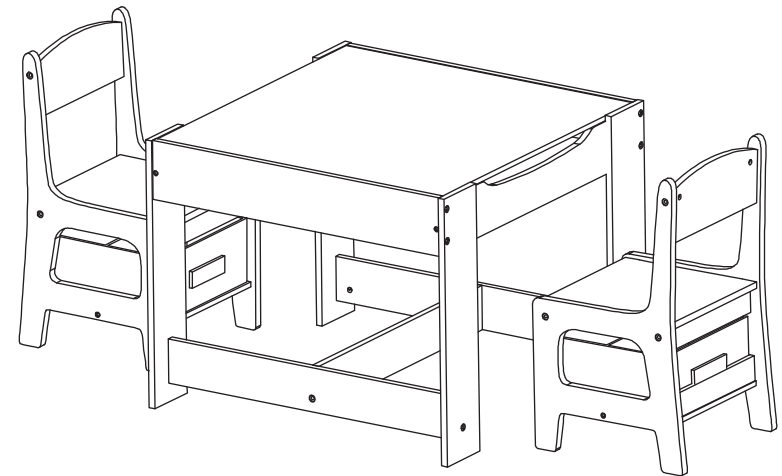


User Manual

Nyeekoy



Model Number: TH17E0537
TH17R0780
TH17S0781

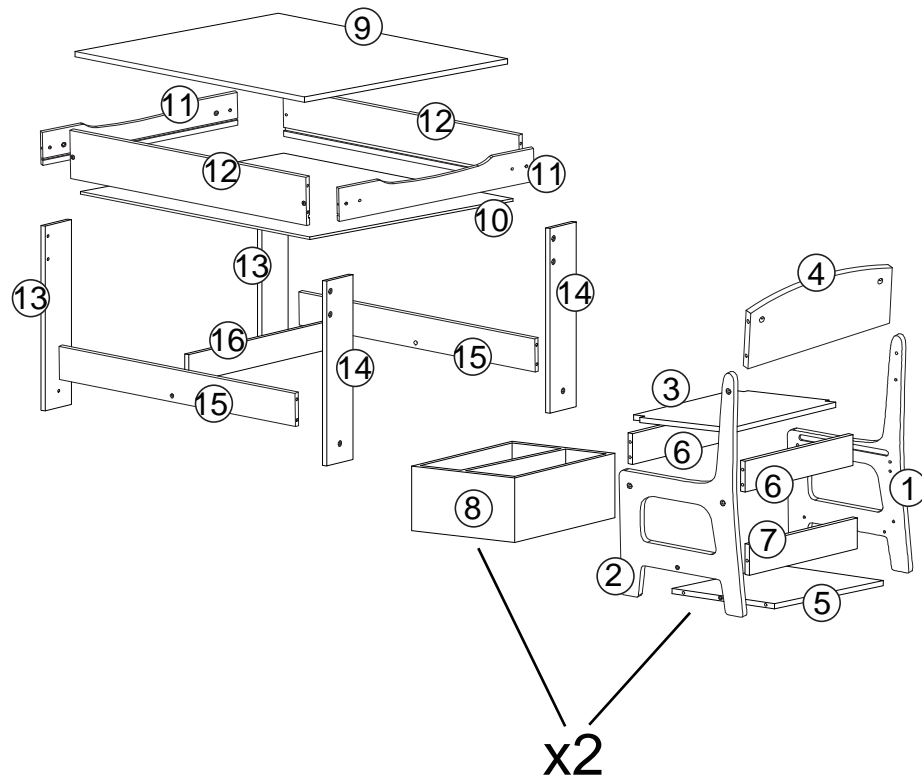
You need

1 Tools required

A Phillips head screwdriver is required for the assembly of this product. (not included)

Power tools should not be used to assemble this product.

2 2 persons needed



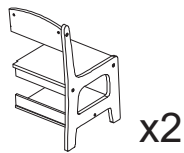
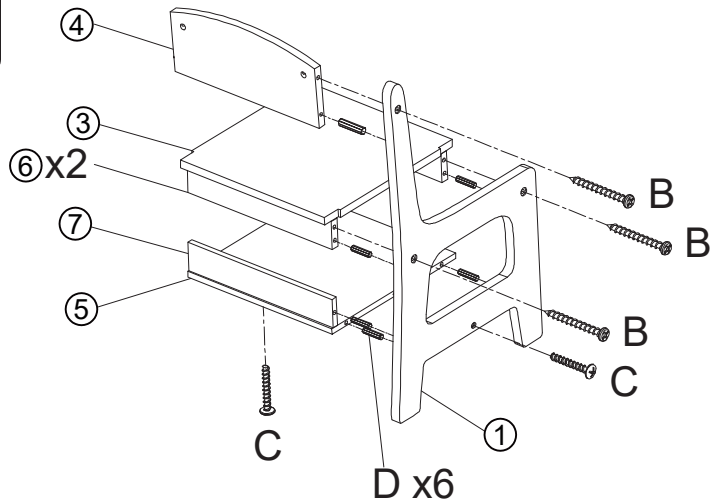
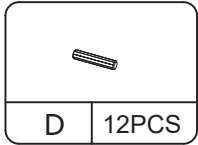
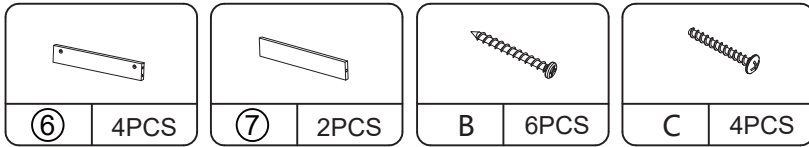
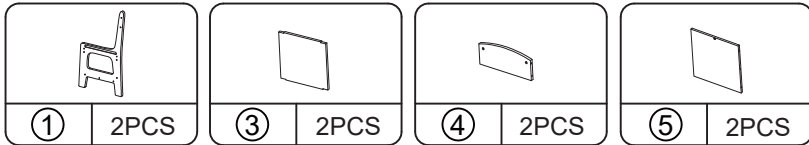
Hardware List

① 2PCS	② 2PCS	③ 2PCS	④ 2PCS
⑤ 2PCS	⑥ 4PCS	⑦ 2PCS	⑧ 2PCS
⑨ 1PC	⑩ 1PC	⑪ 2PCS	⑫ 2PCS
⑬ 2PCS	⑭ 2PCS	⑮ 2PCS	⑯ 1PC
A 4PCS	B 26PCS	C 10PCS	D 30PCS

PRODUCT ASSEMBLY

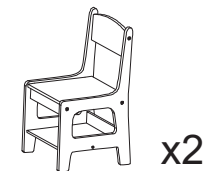
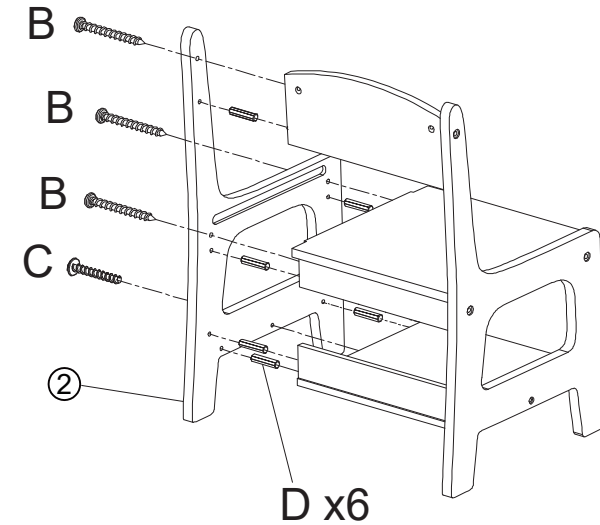
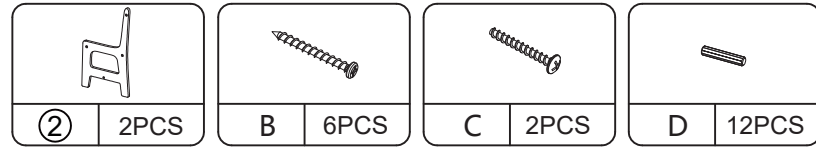
! Check the package contents before getting started !

STEP 1



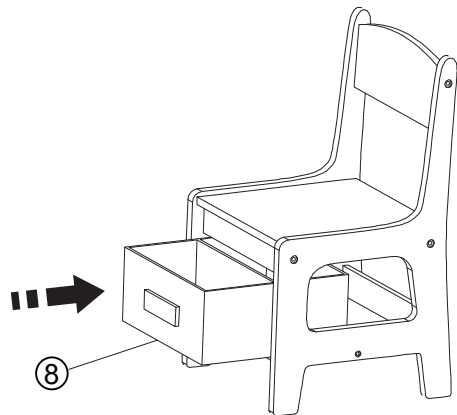
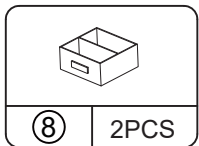
PRODUCT ASSEMBLY

STEP 2

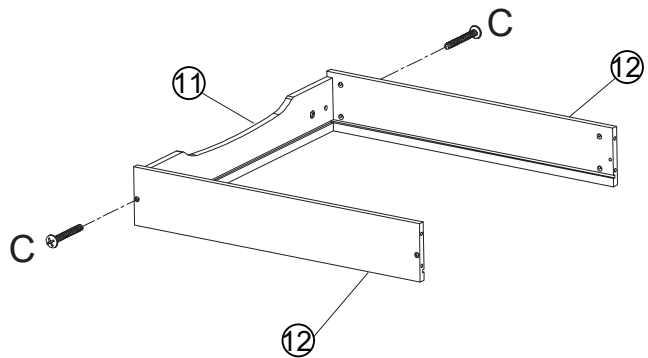
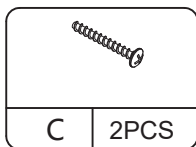
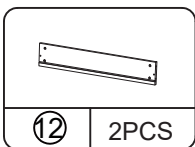
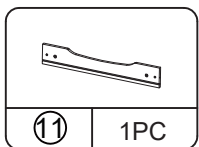


PRODUCT ASSEMBLY

STEP 3

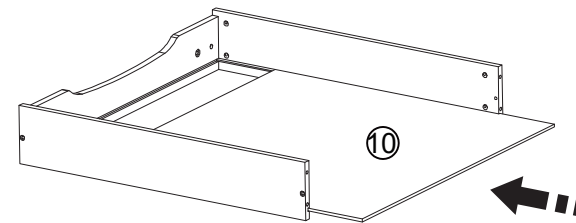
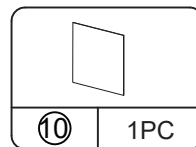


STEP 4

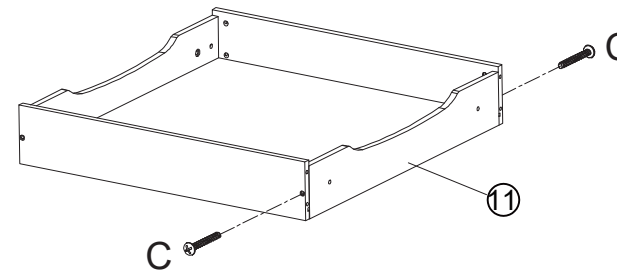
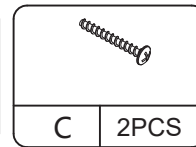
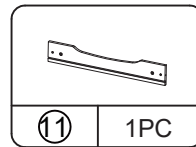


PRODUCT ASSEMBLY

STEP 5

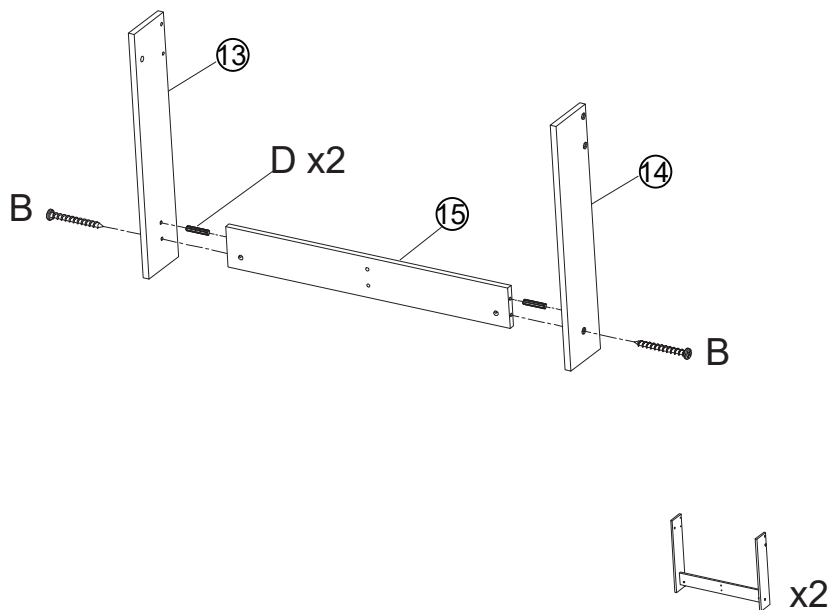
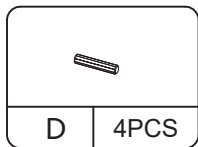
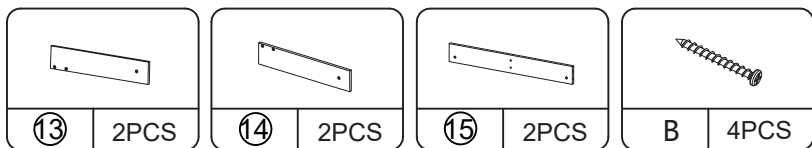


STEP 6



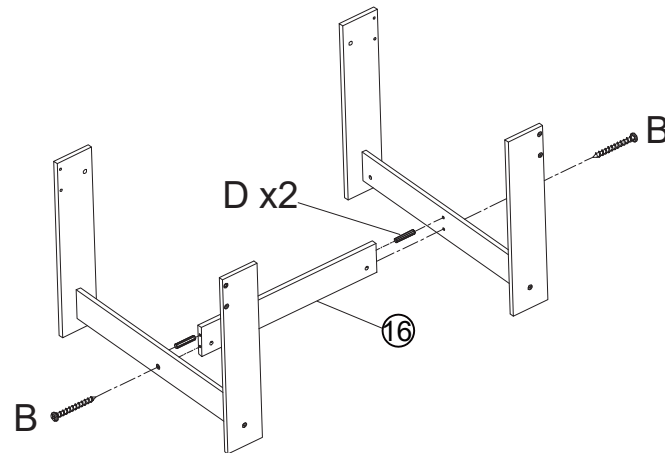
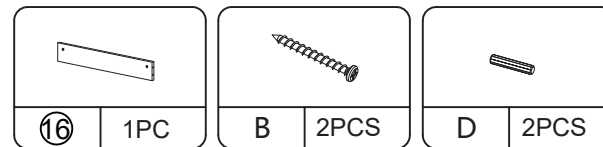
PRODUCT ASSEMBLY

STEP 7

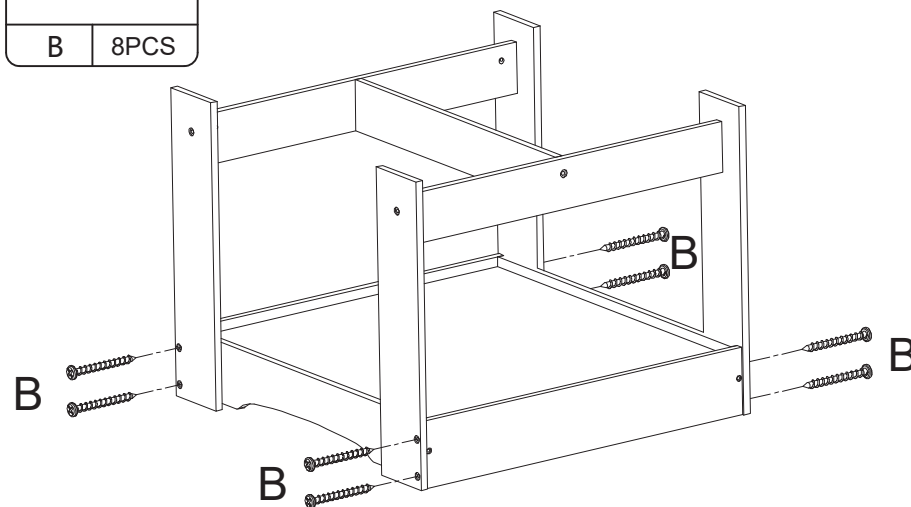
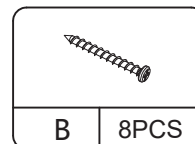


PRODUCT ASSEMBLY

STEP 8

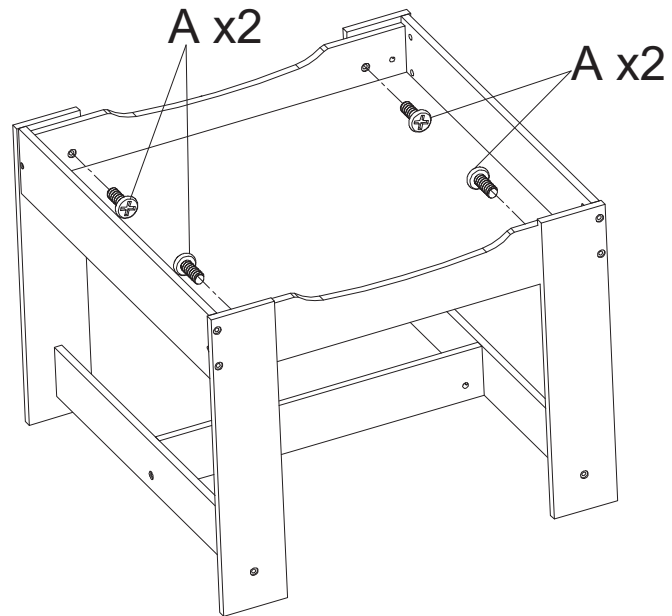
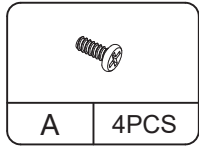


STEP 9



PRODUCT ASSEMBLY

STEP 10



PRODUCT ASSEMBLY

STEP 11

