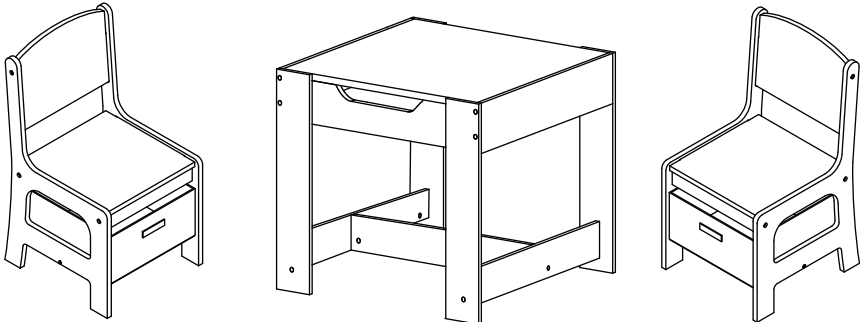

User Manual

Nyeekoy

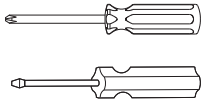


Model Number: TH17R0780
TH17S0781

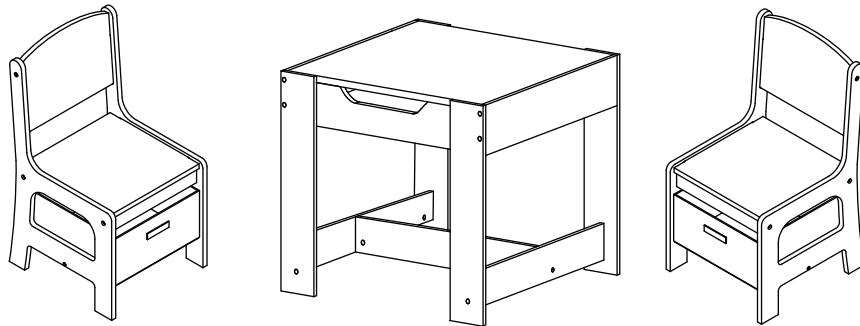
Nyeekoy

You need




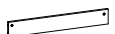












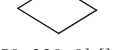
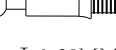







① Tools required



② 1 person is needed

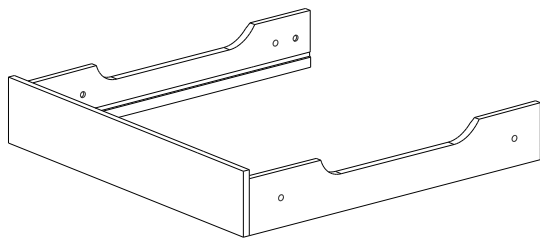
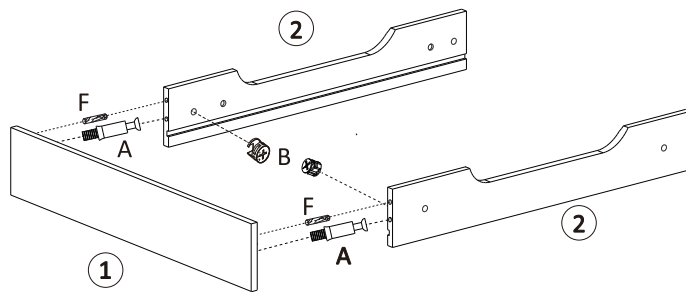
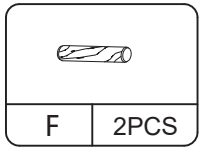
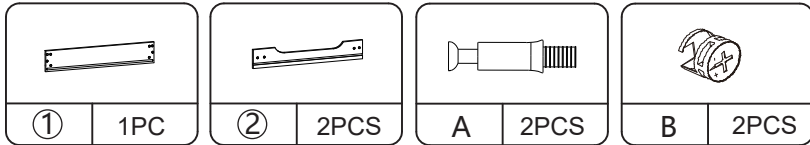


Hardware List

 590x110x12MM ① 2PCS	 590x110x12MM ② 2PCS	 600x575x5MM ③ 1PC	 505x80x12MM ④ 1PC
 590x80x12MM ⑤ 2PCS	 480x100x12MM ⑥ 2PCS	 480x100x12MM ⑦ 2PCS	 588x588x12MM ⑧ 1PC
 530x300x12MM ⑨ 2PCS	 530x300x12MM ⑩ 2PCS	 260x120x12MM ⑪ 2PCS	 270x260x12MM ⑫ 2PCS
 260x260x9MM ⑬ 2PCS	 260x42x12MM ⑭ 4PCS	 260x32x9MM ⑮ 2PCS	 260x240x120MM ⑯ 2PCS
 250x230x9MM ⑰ 2PCS	 Φ 6x38MM A 4PCS	 Φ 12x10MM B 4PCS	 Φ 6x40MM C 26PCS
 Φ 10x10MM D 26PCS	 Φ 6x16MM E 4PCS	 Φ 6x25MM F 26PCS	 Φ 5x25MM G 12PCS
			
Φ 4x25MM			
H 6PCS			

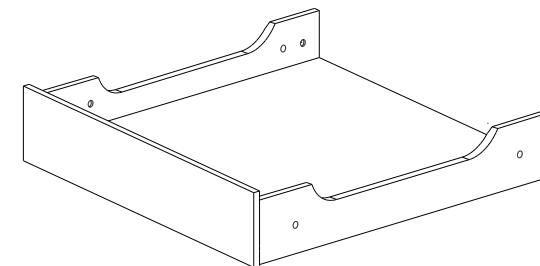
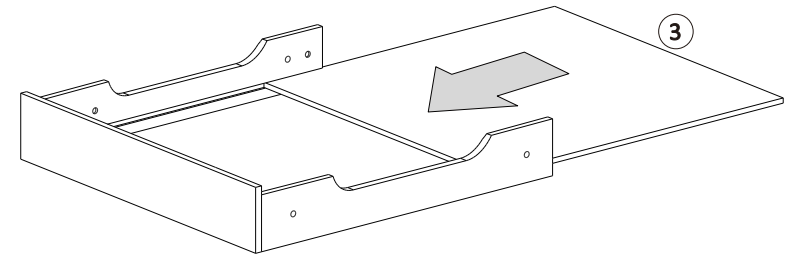
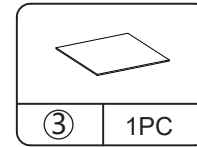
! Check the package contents before getting started !

STEP 1



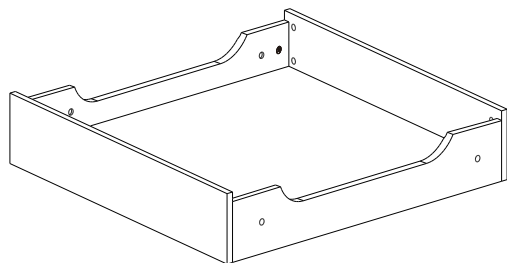
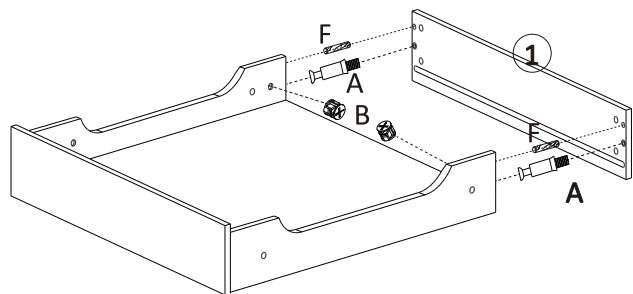
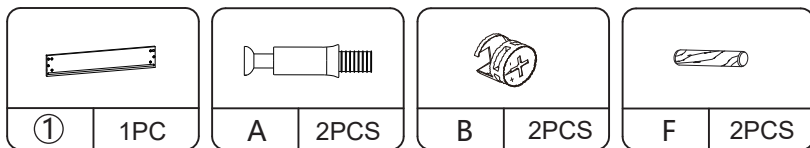
PRODUCT ASSEMBLY

STEP 2



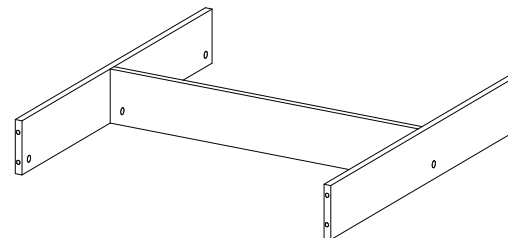
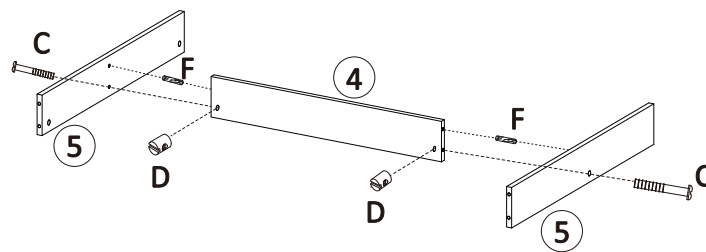
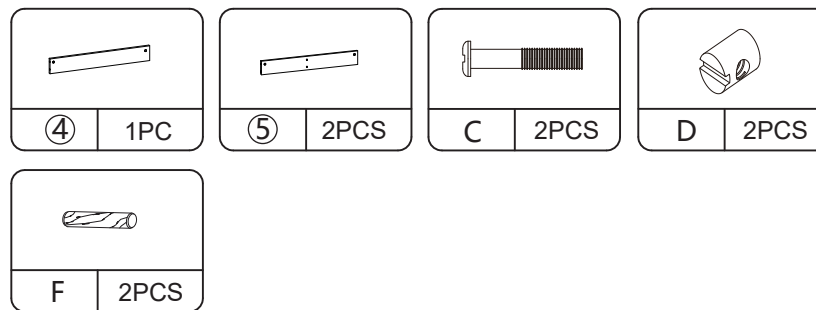
PRODUCT ASSEMBLY

STEP 3



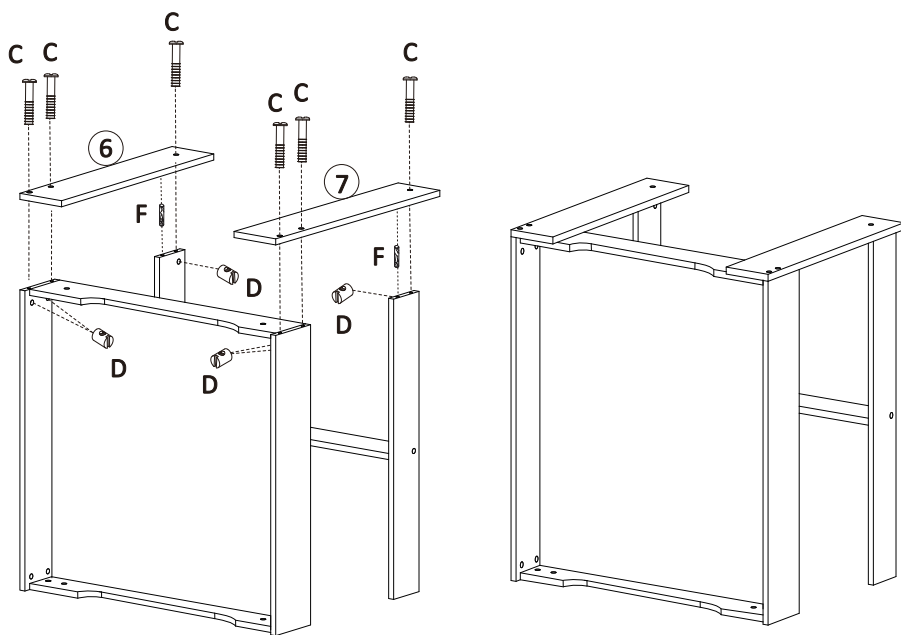
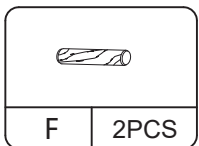
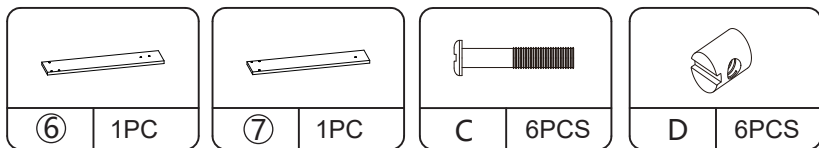
PRODUCT ASSEMBLY

STEP 4



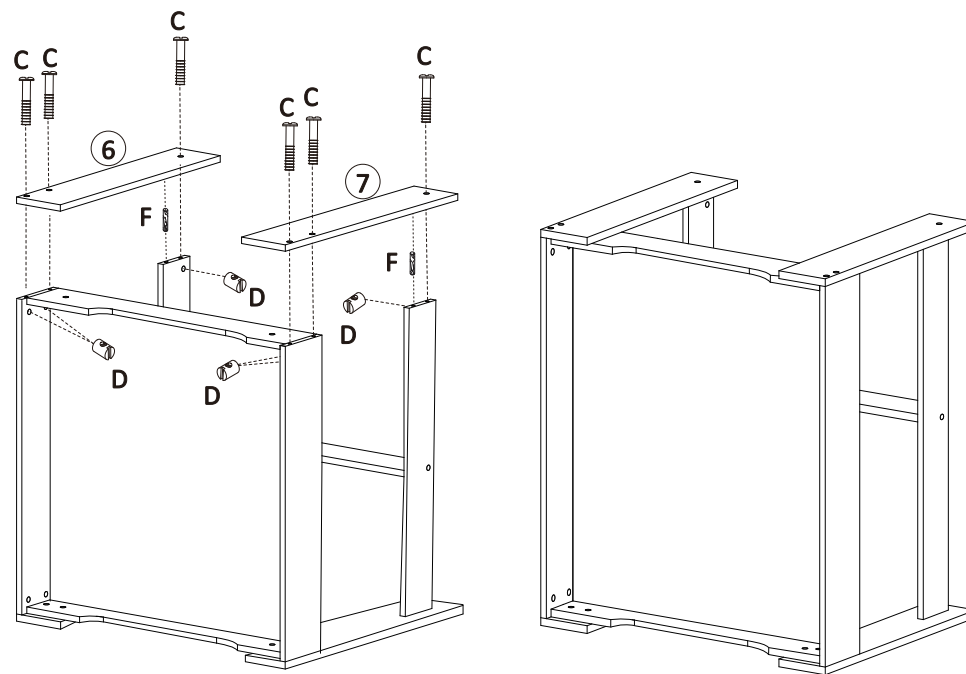
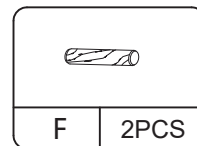
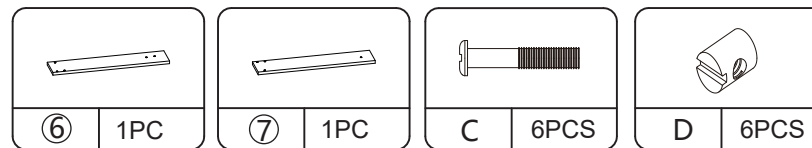
PRODUCT ASSEMBLY

STEP 5



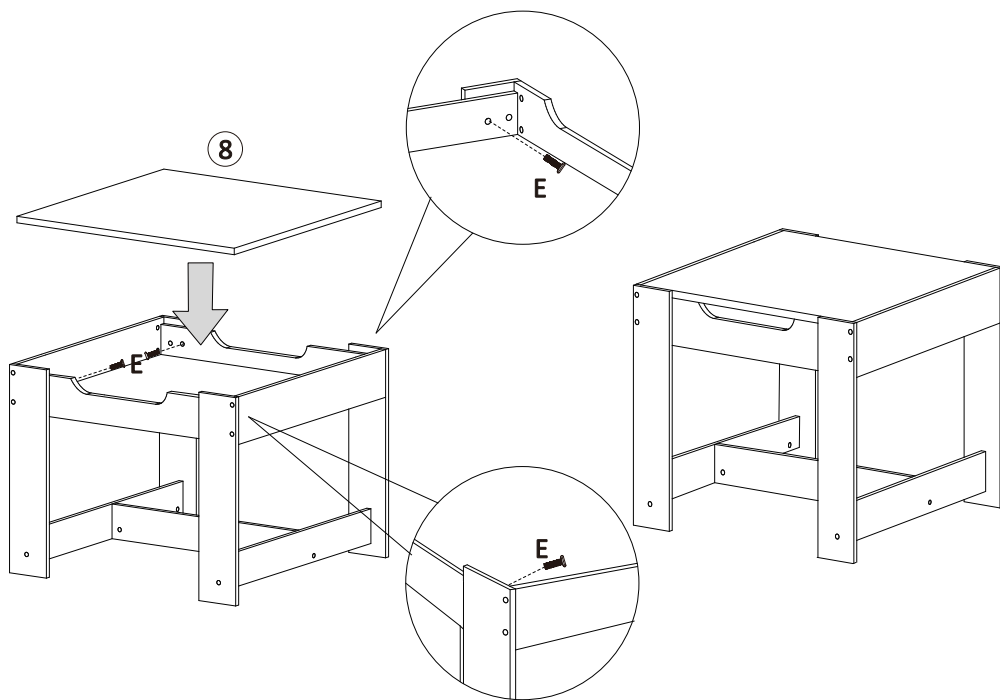
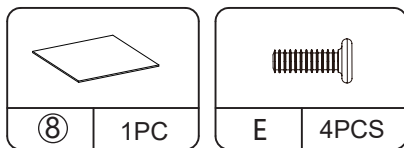
PRODUCT ASSEMBLY

STEP 6



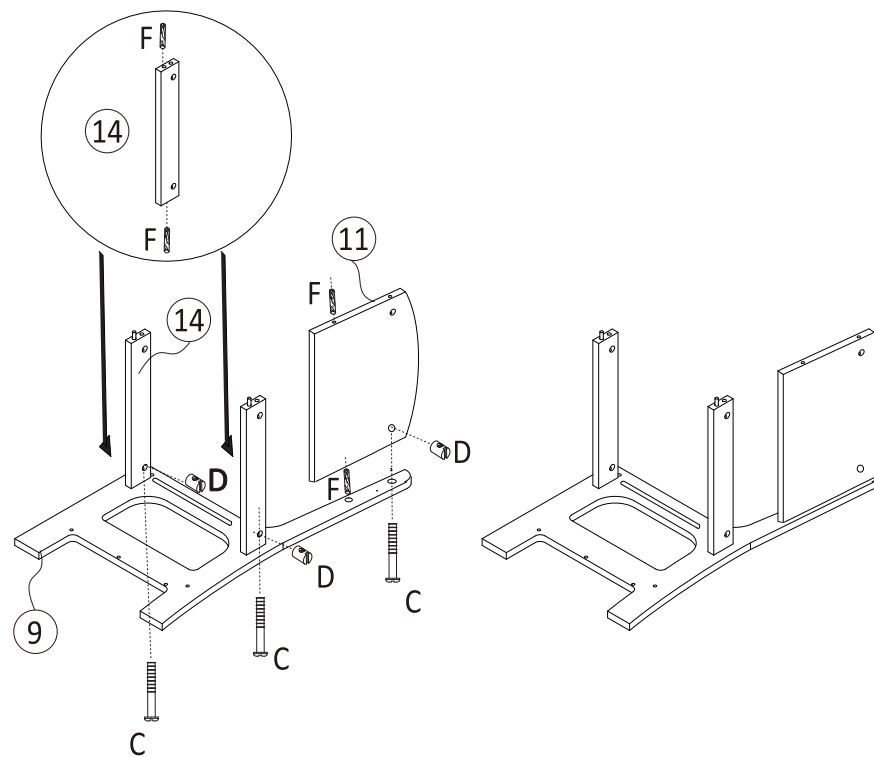
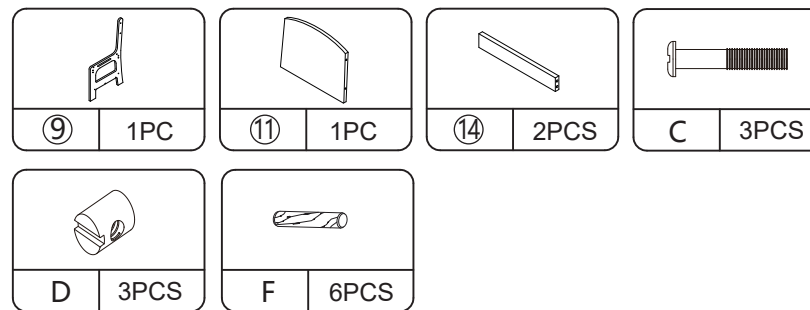
PRODUCT ASSEMBLY

STEP 7







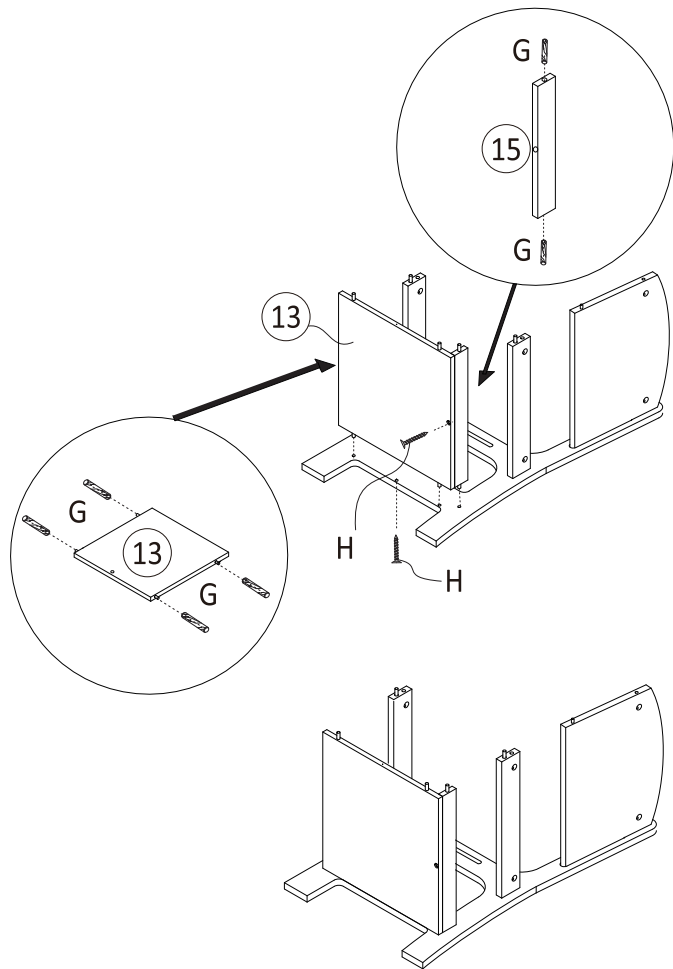
PRODUCT ASSEMBLY

STEP 8

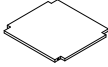



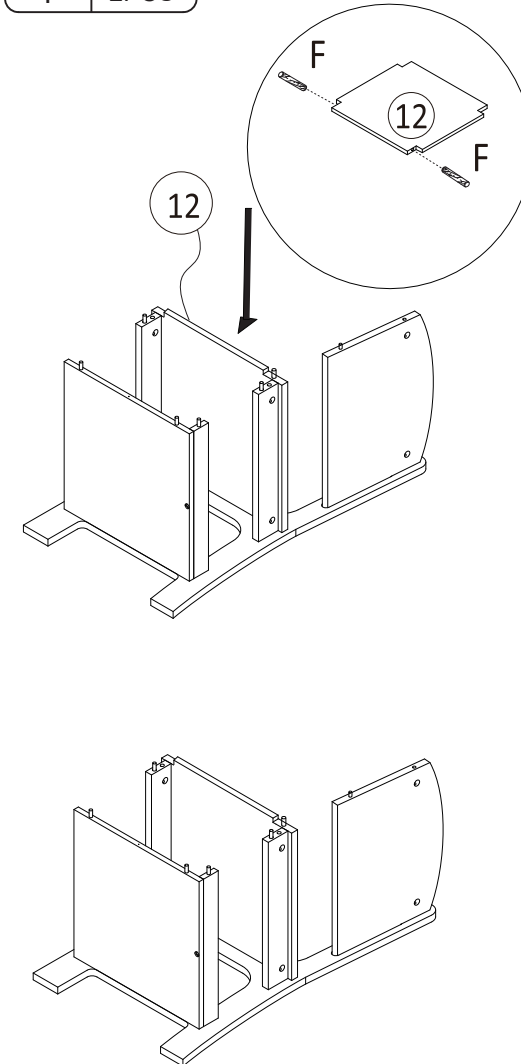
STEP 9

			
13 1PC	15 1PC	G 6PCS	H 2PCS



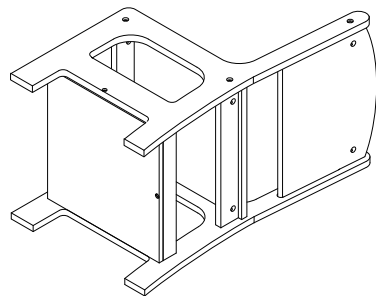
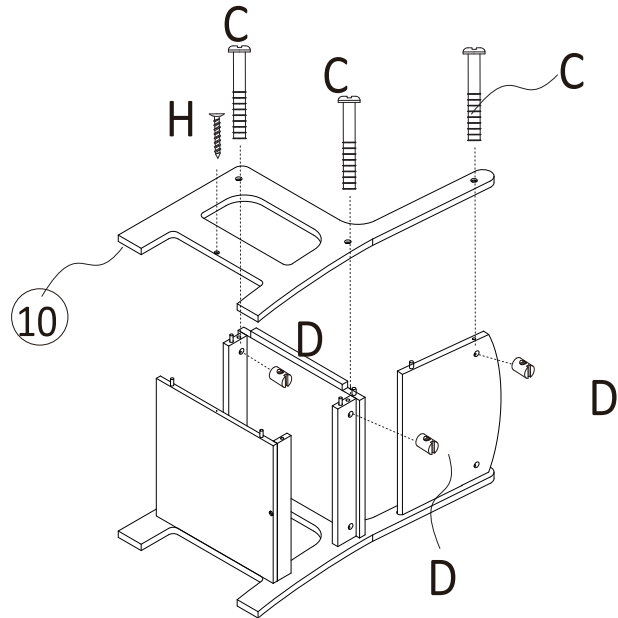
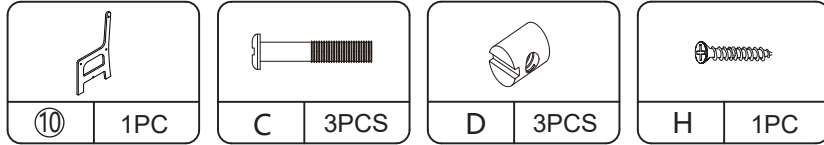
STEP 10

	
12 1PC	F 2PCS



PRODUCT ASSEMBLY

STEP 11



PRODUCT ASSEMBLY

STEP 12

